

KENWOOD

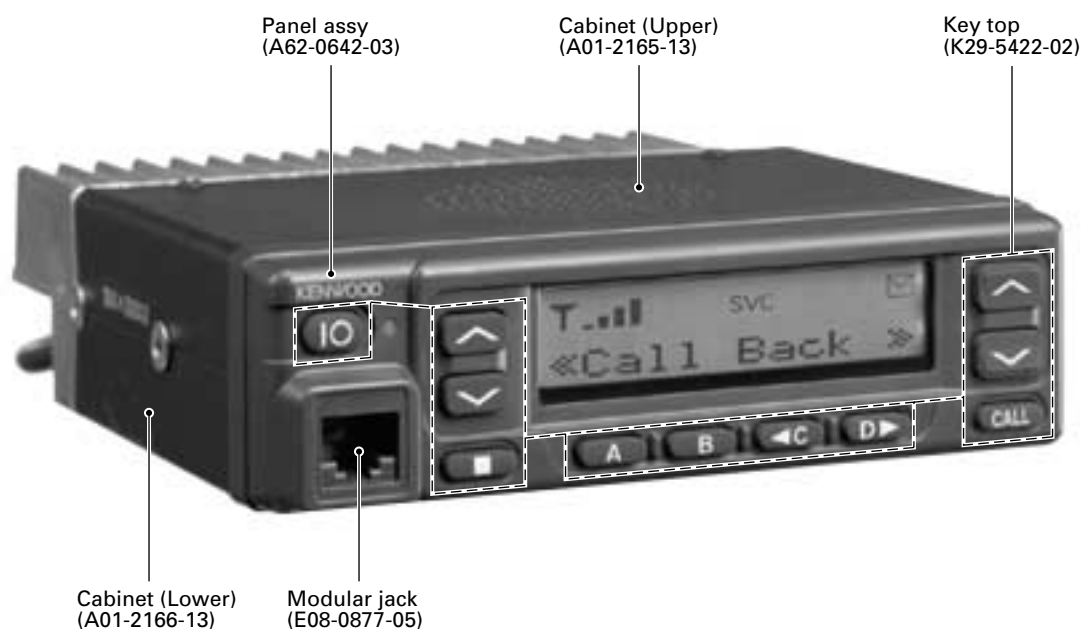
Document Copyrights

Copyright 2006 by Kenwood Corporation. All rights reserved.

No part of this manual may be reproduced, translated, distributed, or transmitted in any form or by any means, electronic, mechanical, photocopying, recording, or otherwise, for any purpose without the prior written permission of Kenwood.

Disclaimer

While every precaution has been taken in the preparation of this manual, Kenwood assumes no responsibility for errors or omissions. Neither is any liability assumed for damages resulting from the use of the information contained herein. Kenwood reserves the right to make changes to any products herein at any time for improvement purposes.



CONTENTS

GENERAL	2	TERMINAL FUNCTION	51
OPERATING FEATURES	3	PC BOARD VIEWS	
REALIGNMENT	4	PLL/VCO (X58-471X-XX)	52
INSTALLATION	6	TX-RX UNIT (X57-6142-71) (A/2)	53
CIRCUIT DESCRIPTION	14	TX-RX UNIT (X57-6142-71) (B/2)	59
SEMICONDUCTOR DATA	20	TX-RX UNIT (X57-6150-21) (A/2)	63
DESCRIPTION OF COMPONENTS	22	TX-RX UNIT (X57-6150-21) (B/2)	69
PARTS LIST	25	SCHEMATIC DIAGRAM	73
EXPLODED VIEW	40	LEVEL DIAGRAM	89
PACKING	41	BLOCK DIAGRAM	93
ADJUSTMENT	43	SPECIFICATIONS	99

GENERAL

INTRODUCTION

SCOPE OF THIS MANUAL

This manual is intended for use by experienced technicians familiar with similar types of commercial grade communications equipment. It contains all required service information for the equipment and is current as of the publication data. Changes which may occur after publication are covered by either Service Bulletins or Manual Revisions. These are issued as required.

ORDERING REPLACEMENT PARTS

When ordering replacement parts or equipment information, the full part identification number should be included. This applies to all parts : components, kits, or chassis. If the part number is not known, include the chassis or kit number of which it is a part, and a sufficient description of the required component for proper identification.

PERSONNEL SAFETY

The following precautions are recommended for personnel safety :

- DO NOT transmit if someone is within two feet (0.6 meter) of the antenna.
- DO NOT transmit until all RF connectors are verified secure and any open connectors are properly terminated.
- SHUT OFF and DO NOT operate this equipment near electrical blasting caps or in an explosive atmosphere.
- All equipment should be properly grounded before power-up for safe operation.
- This equipment should be serviced by a qualified technician only.

PRE-INSTALLATION CONSIDERNATIONS

1. UNPACKING

Unpack the radio from its shipping container and check for accessory items. If any item is missing, please contact KENWOOD immediately.

2. PRE-INSTALLATION CHECKOUT

2-1. Introduction

Each radio is adjusted and tested before shipment. However, it is recommended that receiver and transmitter operation be checked for proper operation before installation.

2-2. Testing

The radio should be tested complete with all cabling and accessories as they will be connected in the final installation. Transmitter frequency, deviation, and power output should be checked, as should receiver sensitivity, squelch operation, and audio output. QT equipment operation should be verified.

3. PLANNING THE INSTALLATION

3-1. General

Inspect the vehicle and determine how and where the radio antenna and accessories will be mounted.

Plan cable runs for protection against pinching or crushing wiring, and radio installation to prevent overheating.

3-2. Antenna

The favored location for an antenna is in the center of a large, flat conductive area, usually at the roof center. The trunk lid is preferred, bond the trunk lid and vehicle chassis using ground straps to ensure the lid is at chassis ground.

3-3. Radio

The universal mount bracket allows the radio to be mounted in a variety of ways. Be sure the mounting surface is adequate to support the radio's weight. Allow sufficient space around the radio for air cooling. Position the radio close enough to the vehicle operator to permit easy access to the controls when driving.

3-4. DC Power and wiring

1. This radio may be installed in negative ground electrical systems only. Reverse polarity will cause the cable fuse to blow. Check the vehicle ground polarity before installation to prevent wasted time and effort.
2. Connect the positive power lead directly to the vehicle battery positive terminal. Connecting the Positive lead to any other positive voltage source in the vehicle is not recommended.
3. Connect the ground lead directly to the battery negative terminal.
4. The cable provided with the radio is sufficient to handle the maximum radio current demand. If the cable must be extended, be sure the additional wire is sufficient for the current to be carried and length of the added lead.

GENERAL / OPERATING FEATURES

4. INSTALLATION PLANNING – CONTROL STATIONS

4-1. Antenna system

Control station. The antenna system selection depends on many factors and is beyond the scope of this manual. Your KENWOOD dealer can help you select an antenna system that will best serve your particular needs.

4-2. Radio location

Select a convenient location for your control station radio which is as close as practical to the antenna cable entry point. Secondly, use your system's power supply (which supplies the voltage and current required for your system). Make sure sufficient air can flow around the radio and power supply to allow adequate cooling.

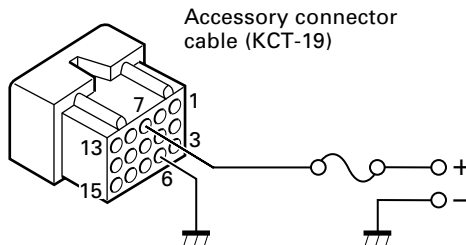
SERVICE

This radio is designed for easy servicing. Refer to the schematic diagrams, printed circuit board views, and alignment procedures contained in this manual.

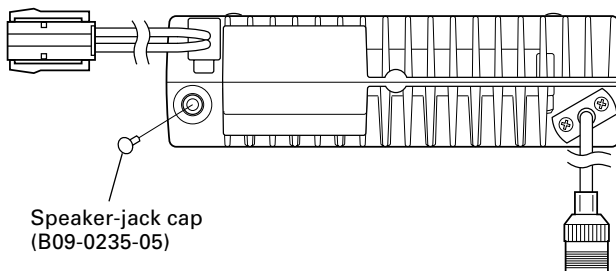
Note

When you modify your radio as described in system set-up, take the following precaution.

The rating of pin 7 (SB) of the accessory connector cable (KCT-19) on the rear of the radio is 13.2V (E), 13.6V (K,M). Insert a 1A fuse if you use the SB pin for external equipment.



If you do not intend to use the 3.5-mm jack for the external speaker, fit the supplied speaker-jack cap (B09-0235-05) to stop dust and sand getting in.



OPERATING FEATURES

1. Transceiver Controls and Indicators (Fig. 1)

1-1. The Basics

Features listed in this section are available for both Trunking and Conventional modes. Mode specific features can be found in their corresponding sections in this manual.

• Front panel

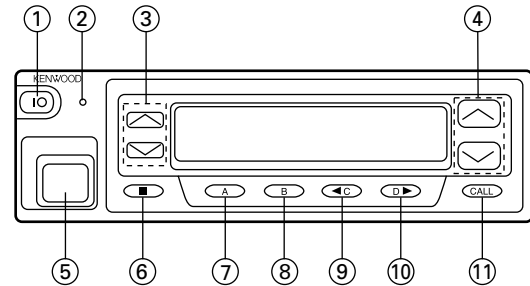


Fig. 1

① IO (Power) switch

Press to switch the transceiver ON (or OFF).

② Transmit/Receive indicator

③ ^/∨ (Volume) keys

④ ^/∨ (Control) keys

⑤ Microphone jack

Insert the microphone plug into this connector.

⑥ ■ key

⑦ A key

⑧ B key

⑨ ◀ C key

⑩ ▶ D key

⑪ CALL key

1-2. Trunking Mode

• Key functions

The numbers correspond to the Figure 1.

② Transmit indicator

Lights red while transmitting.

④ ^/∨ (Control) keys

Press these keys to select your desired call address (voice calls) or status (status calls).

⑥ ■ key

Press to end the current call.

⑦ A key (default setting : Status/Stack)

Press to activate its auxiliary function below.

⑧ B key (default setting : Redial)

Press to activate its auxiliary function below.

OPERATING FEATURES / REALIGNMENT

- ⑨ ◀ **C key (Default setting : None)**
Press to activate its auxiliary function below. Also press to scroll left while viewing stack entries.
- ⑩ ▶ **D key (Default setting : None)**
Press to activate its auxiliary function below. Also press to scroll right while viewing stack entries.
- ⑪ **CALL key**
Press to call the displayed call address.

• **Display**

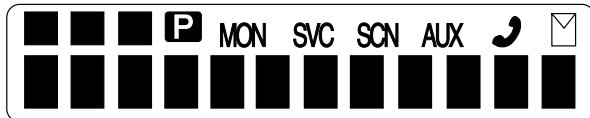


Fig. 2

■■■ displays the strength of received signals, the output power (high or low), status numbers, and received call types.

SVC appears when a control channel is found. It flashes while the transceiver is searching for a control channel.

☎ flashes when you activate call diversion.

✉ appears while there is data in the stack. It flashes when there is new data in the stack.

■■■■■■■■■■ displays call addresses, the call duration timer, data messages, and the current operating status of the transceiver.

1-3. Conventional Mode

• **Key functions**

The numbers correspond to the Figure 1.

- ② **Transmit/Receive indicator**
Lights red while transmitting.
Lights green while receiving a signal.
- ④ ^/∨ **(Control) keys**
Press these keys to select your desired channel.
- ⑥ ■ **key**
Press to return to Trunking mode.
- ⑦ **A key**
Press to turn Scan ON (or OFF).
- ⑧ **B key**
Press to add/remove channels to/from Scan.
- ⑪ **CALL key**
Press to turn the squelch OFF in order to monitor your selected channel.

• **Display (Refer to Figure 2)**

■■■ displays the strength of received signals.

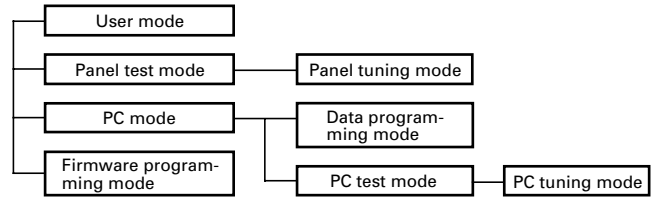
MON appears while you are monitoring a channel by pressing the CALL key.

SCN appears while you are scanning.

■■■■■■■■■■ displays channel numbers and the current operating status of the transceiver.

REALIGNMENT

1. Modes



Mode	Function
User mode	For normal use.
Panel test mode	Used by the dealer to check the fundamental characteristics.
Panel tuning mode	Used by the dealer to tune the radio.
PC mode	Used for communication between the radio and PC (IBM compatible).
Data programming mode	Used to read and write frequency data and other features to and from the radio.
PC test mode	Used to check the radio using the PC. This feature is included in the FPU. See panel tuning.
Firmware programming mode	Used when changing the main program of the flash memory.

2. How to Enter Each Mode

Mode	Operation
User mode	Power ON
Panel test mode	[B]+Power ON
PC mode	Received commands from PC
Panel tuning mode	[Panel test mode]+[A]
Firmware programming mode	[A]+Power ON

3. Panel Test Mode

Setting method refer to ADJUSTMENT.

4. Panel Tuning Mode

Setting method refer to ADJUSTMENT.

REALIGNMENT

5. PC Mode

5-1. Preface

The TK-785 transceiver is programmed by using a personal computer, programming interface (KPG-46) and programming software (KPG-62D).

The programming software can be used with an IBM PC or compatible. Figure 1 shows the setup of an IBM PC for programming.

5-2. Connection Procedure

1. Connect the TK-785 to the personal computer with the interface cable.
2. When the Power switch on, user mode can be entered immediately. When PC sends command the radio enter PC mode, and "PROGRAM" is displayed on the LCD. When data transmitting from transceiver, the red LED is blinking. When data receiving to transceiver, the green LED is blinking.

Notes :

- The data stored in the personal computer must match model type, when it is written into the flash memory.
- Change the TK-785 to PC mode, then attach the interface cable.

5-3. KPG-46 Description

(PC programming interface cable : Option)

The KPG-46 is required to interface the TK-785 to the computer. It has a circuit in its D-subconnector (25-pin) case that converts the RS-232C logic level to the TTL level.

The KPG-46 connects the modular microphone jack of the TK-785 to the computers RS-232C serial port.

5-4. Programming Software KPG-62D Description

The KPG-62D is the programming software for the transceiver supplied on two 3.5" floppy disks. This software runs under MS-Windows 95/98 on an IBM-PC or compatible machine.

The data can be input to or read from the transceiver and edited on the screen. The programmed or edited data can be printed out. It is also possible to tune the transceiver.

We recommend that install the KPG-62D for example to hard disk first then use it.

5-5. Programming With IBM PC

If data is transferred to the transceiver from an IBM PC with the KPG-62D, the destination data (basic radio information) for each set can be modified. Normally, it is not necessary to modify the destination data because their values are determined automatically when the frequency range (frequency type) is set.

The values should be modified only if necessary.

Data can be programmed into the flash memory in RS-232C format via the modular microphone jack.

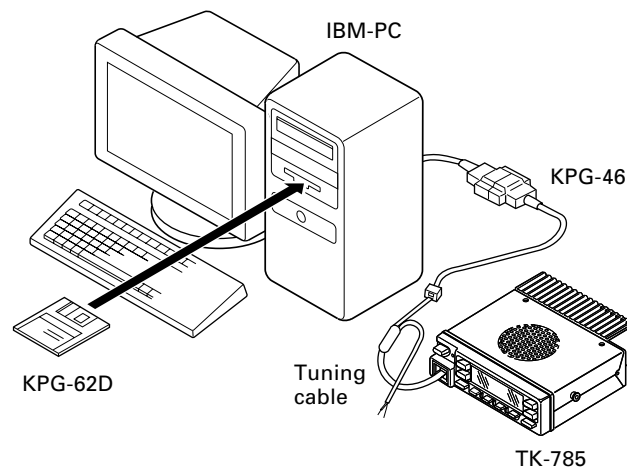


Fig. 1

6. Firmware Programming Mode


6-1. Preface

Flash memory is mounted on the TK-785. This allows the TK-785 to be upgraded when new features are released in the future. (For details on how to obtain the firmware, contact Customer Service.)

6-2. Connection Procedure

Connect the TK-785 to the personal computer (IBM PC or compatible) with the interface cable (KPG-46). (Connection is the same as in the PC Mode.)

6-3. Programming

1. Start up the programming software (Fpro. exe).
2. Set the communications speed (normally, 57600 bps) and communications port in the configuration item.
3. Set the firmware to be updated by File name item.
4. Turn the TK-785 Power ON with the [A] switch held down. Hold the switch down until the display changes to "PROG 57600". When "PROG 57600" appears, release your finger from the switch.
5. Check the connection between the TK-785 and the personal computer, and make sure that the TK-785 is in the Program mode.
6. Press write button in the window. A window opens on the display to indicate progress of writing. When the TK-785 starts to receive data, the  icon is blinking.
7. If writing ends successfully, the LED on the TK-785 lights and the checksum is displayed.
8. If you want to continue programming other TK-785, repeat steps 4 to 7.

REALIGNMENT / INSTALLATION

Notes :

- This mode cannot be entered if the Firmware programming mode is set to Disable in the Programming software (KPG-62D).
- When programming the firmware, it is recommend to copy the data from the floppy disk to your hard disk before update the radio firmware.
Directly copying from the floppy disk to the radio may not work because the access speed is too slow.

6-4. Function

1. If you press the [■] switch while "PROG 57600" is displayed, the version is displayed. If you press the [■] switch again while the version is displayed, "PROG 57600" is redisplayed.
2. If you press the [D▶] switch while "PROG 57600" is displayed, the display changes to "PROG 19200" to indicate that the write speed is low speed (19200 bps). If you press the [D▶] switch again while "PROG 19200" is displayed, the display changes to "PROG 38400", and the write speed becomes the middle speed (38400 bps). If you press the [D▶] switch again while "PROG 38400" is displayed, the display returns to "PROG 57600".
3. If you press the [D▶] switch while the version is displayed, the checksum is displayed. If you press the [D▶] switch again while the checksum is displayed, the version is redisplayed.

Note :

Normally, write in the high-speed mode.

INSTALLATION

1. Accessory Connection Cable (KCT-19 : Option)

The KCT-19 is an accessory connection cable for connecting external equipment. The connector has 15 pins and the necessary signal lines are selected for use.

1-1. Installing the KCT-19 in the transceiver

1. Remove the upper and lower half of the transceiver case, and lift the DC cord bushing (❶) from the chassis.
2. Remove the pad as shown in Figure 1 (❷).
3. Insert the KCT-19 cable (❸) into the chassis (❹).
The wire harness band (❺) must be inside the chassis.
4. Replace the DC cord bushing (❻).
5. Connect the KCT-19 to the TX-RX unit (A/2) as shown in Figure 2 (❼).
6. Connect the KCT-19 to the external accessory by inserting the crimp terminal (❸) into the square plug (❾), both of which are supplied with the KCT-19.

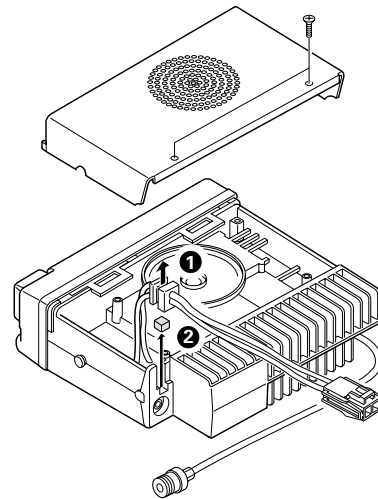


Fig. 1

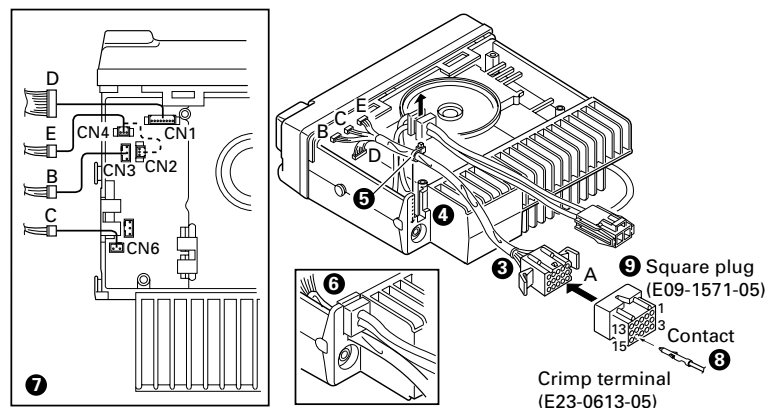


Fig. 2

INSTALLATION

1-2. KCT-19 Accessory Port Function

No. (A)	No. (B,C,D,E)	Name	Function	Note
1	D-2	AHK	No function.	
2	D-5	ME	Microphone ground.	*1
		AM	Speaker audio mute input.	
3	D-3	IGN	Ignition sense input.	
4	D-1	DEO	Receiver detector output.	
5	D-6	MI	External microphone input.	*1
		TXS	Transmitter sense output.	
6	B-2	E	Ground.	
7	B-3	SB	Switched B+, DC 13.2V (E), 13.6V (K,M) output. Maximum 0.75A	
8	D-7	PTT	No function.	
9	D-4	DI	Data modulation input.	
10	B-1	HOR	Horn alert/call output.	
11	D-8	SQ	No function.	
12	C-1	SP	Speaker audio output.	
13	E-1	CN2 and CN4	LOK	No function. *1 *2
		CN2	AM	Speaker mute input.
14	E-2	CN4	RXD	Serial control data input. *2
		CN2	MM	MIC mute input, active high.
15	E-3	CN4	TXD	Serial control data output. *2
		CN2	DTC	No function.
		*1	LOK	No function.
		TXS	Transmitter sense output, Active high	
		FSW	Foot switch input, active low	

Note

*1 : The functions of A-2, A-5, A-13 (when connector E is connected to CN2), and A-15 (when connector E is connected to CN2) are changed as described in the jumper chart.

*2 : The functions of A-13, A-14 and A-15 are changed if the connector E is connected to CN2 or CN4 of the radio.

No.	CN2	CN4
E-1	LOK/AM	LOK
E-2	MM	RXD
E-3	LOK/DTC/TXS/FSW	TXD

· Connect CN6 of the radio to connector C of the KCT-19 instead of to the internal speaker connector, if use external speaker.

1-3. Data Equipment Connection

The jumpers must be set to either one for each function. Otherwise, the radio will not work properly.

ME/AM

R12 (0Ω)	R167 (0Ω)	Function / Default	
Yes	No	AM	Default
No	Yes	ME	

MI/TXS

R94 (0Ω)	R24 (0Ω)	Function / Default	
Yes	No	TXS	Default
No	Yes	MI	

LOK/AM

R5 (0Ω)	R6 (0Ω)	Function / Default	
Yes	No	AM	
No	Yes	LOK	Default

DTC/LOK/TXS/FSW

R168 (0Ω)	R84 (0Ω)	R51 (0Ω)	R13 (0Ω)	Function / Default	
No	No	No	Yes	LOK	
Yes	No	No	No	DTC	Default
No	No	Yes	No	TXS	
No	Yes	No	No	FSW	

Note : The following parts are not installed at the time of shipping; R5,R13,R24,R51,R84,R167

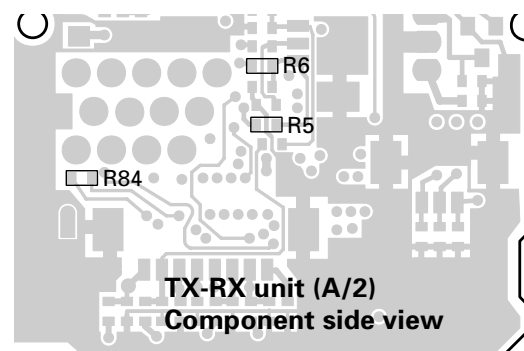
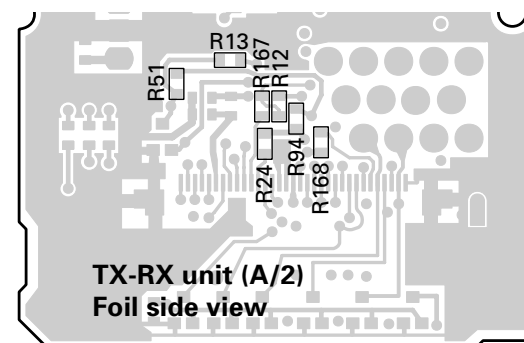


Fig. 3-1 K,E type

INSTALLATION

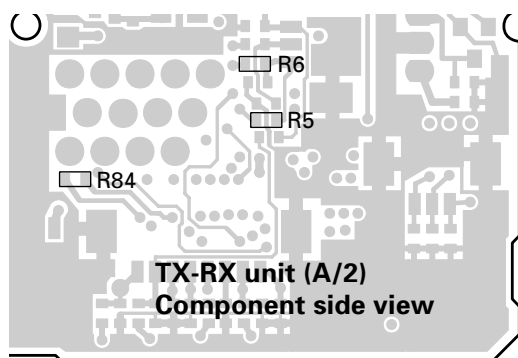
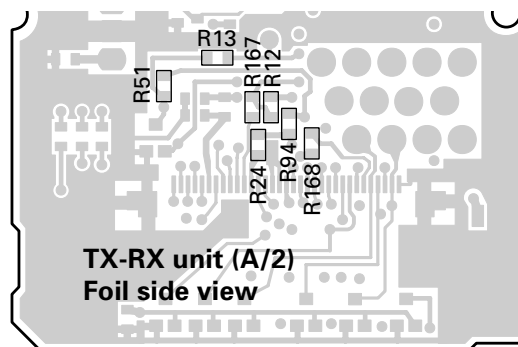


Fig. 3-2 M type

2. Accessory Terminal (TX-RX Unit)

2-1. External Connector Accessory Terminal Method

Connector No.	Pin No.	Pin name	I/O	Function
CN1	1	DEO	O	Detect signal output. (Output level : 250mVrms; standard modulation)
	2	AHK	I	No function.
	3	IGN	I	Ignition sense input.
	4	DI	I	External modulation signal input.
	5	ME	-	MIC earth.
		AM	I	Audio mute signal input.
	6	MI	I	Internal MIC input.
		TXS	O	No function.
7	PTT	I	No function.	
8	SQ	O	No function.	
CN2	1	AM	I	Audio mute signal input.
		LOK	O	No function.
	2	MM	I	MIC mute input.
		DTC	I	No function.
		TXS	O	No function.
	3	FSW	I	Foot switch signal input. Foot sw on : L, Foot sw off : H
LOK		O	No function.	
CN3	1	HOR	O	Horn alert signal output. Signal output for horn relay drive (open collector). L level during horn drive : Max. sink current 100mA. L level when AUX A is on.
	2	E	-	Earth.
	3	SB	O	Power output after power switch (DC 13.2V (E), 13.6V (K,M) ± 15%, 0.75A max.).
CN4	1	LOK	O	No function.
	2	RXD	I	Serial data input 1.
	3	TXD	O	Serial data output 1.
CN5	1	PA	O	Relay for PA function in KAP-1 control signal. PA on : H, PA off : L
	2	SPO	O	Audio signal input from KAP-1.
	3	SPI	I	Audio signal output to KAP-1.
CN6	1	SP	O	Output for internal/external speaker.
	2	E	-	Earth.

INSTALLATION

3. Optional Board Terminal

Terminal is for mounting the option board are provided at the control and TX-RX unit. The table below shows the correspondence between the board and terminals. Disconnect R529 and R571 in control unit when the scrambler board is attached.

The table below shown the differences between the schematic terminals and the PC board terminals.

Schematic diagram			PC board view	
Name	I/O	Function	Name	Unit
SB	O	Switched B+ (13.2V (E), 13.6V (K,M), 0.75A)	SB	TX-RX
5C	O	5C	5C	TX-RX
GND	-	Earth	E	TX-RX
DEO	O	Detect signal output (Output level : 250mVrms; standard modulation)	DEO	TX-RX
RXAI	I	RX audio input	RXAI	Control
RXAO	O	RX audio output	RXAO	Control
TXAI	I	TX audio input	TXAI	Control
TXAO	O	TX audio output	TXAO	Control
LOK	O	No function.	LOK	TX-RX
OPT	O	Option board select.	OP	TX-RX
CODE1	O	Option code 1 (for voice scrambler code 1)	C1	TX-RX
CODE2	O	Option code 1 (for voice scrambler code 2)	C2	TX-RX
CODE3	O	Option code 1 (for voice scrambler code 3)	C3	TX-RX
CODE4	O	Option code 1 (for voice scrambler code 4)	C4	TX-RX
SQ	O	No function.	SQ	TX-RX
TXD1	O	Serial data output 1	TD1	TX-RX
RXD1	I	Serial data input 1	RD1	TX-RX
TXD2	O	Serial data output 2	TD2	TX-RX
RXD2	I	Serial data input 2	RD2	TX-RX
RSSI	O	Receive signal strength indication	RSSI	TX-RX
PTT	I	PTT	PTT	Control
MPTT	I	MIC PTT	MPTT	Control
FSW	I	Foot switch input	FW	TX-RX

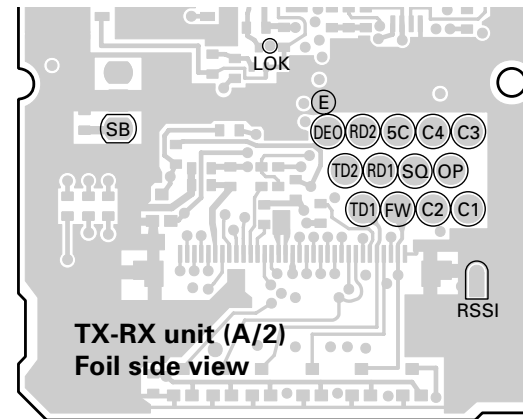


Fig. 4-1 K,E type

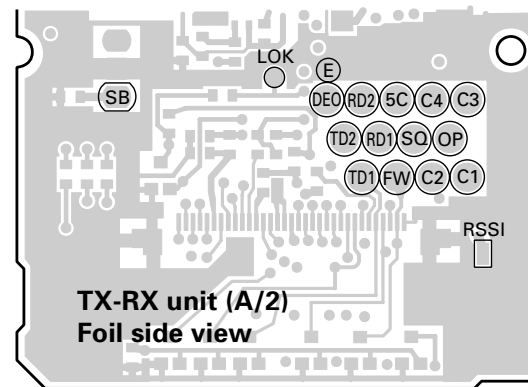


Fig. 4-2 M type

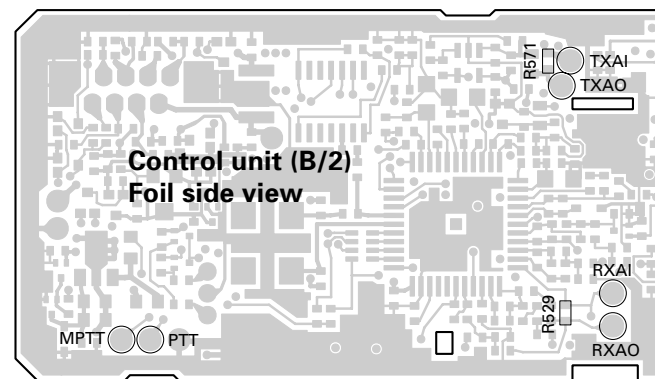


Fig. 4-3

INSTALLATION

4. Ignition Sense Cable (KCT-18 : Option)

The KCT-18 is an optional cable for enabling the ignition function. The ignition function lets you turn the power to the transceiver on and off with the car ignition key.

If you use the Horn Alert function or the Manual Relay function, you can turn the function off while driving with the ignition key.

4-1. Connecting the KCT-18 to the Transceiver

1. Install the KCT-19 in the transceiver. (See the KCT-19 section.)
2. Insert the KCT-18 lead terminal (❷) into pin 3 of the square plug (❶) supplied with the KCT-19, then insert the square plug into the KCT-19 connector (❸).

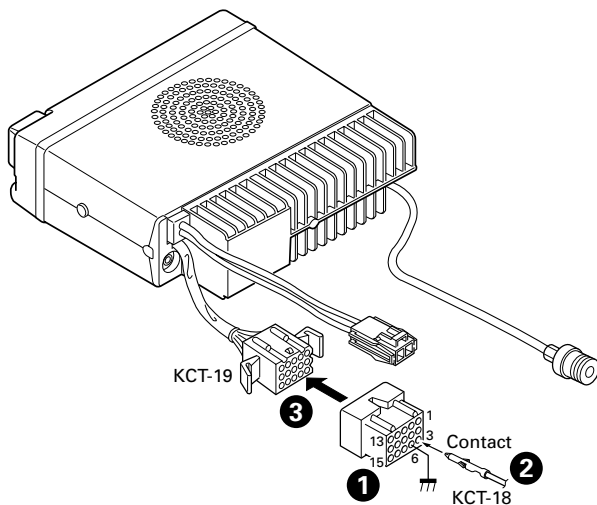


Fig. 5

4-2. Modifying the Transceiver

Modify the transceiver as follows to turn the power or the Horn Alert or Manual Relay function on and off with the ignition key.

1. Remove the lower half of the transceiver case.
2. Set jumper resistors (0Ω) R151 and R152 of the TX-RX unit (A/2) as shown in Table 1.

Operation when KCT-18 is connected	R151	R152
KCT-18 cannot be connected	Enable	Enable
Power on/off and Horn Alert or AUX-A on/off	Disable	Enable
Horn Alert or AUX-A on/off, Timed power off	Enable	Disable
Power cannot be turned on	Disable	Disable

Table 1 R151 and R152 setup chart

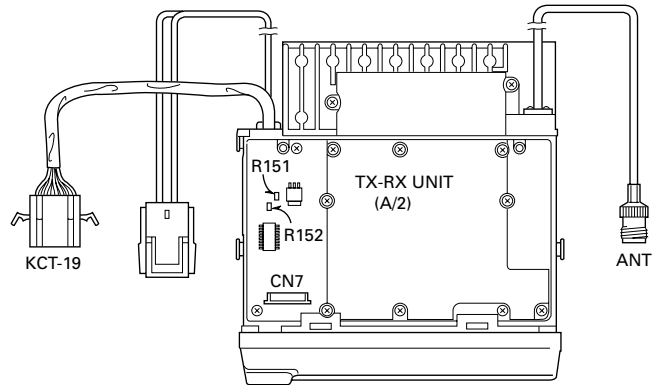


Fig. 6

5. Optional Voice Scrambler Function

You can use the voice scrambler in the following two configurations.

1. Assign this function to the Scrambler key by using the programming software (KPG-62D).
When the Scrambler key is pressed, the [...] indicator appears, and the optional (scrambler) function is enabled. When the key is pressed again, the [...] indicator goes off and the function is disabled.
2. Using the KPG-62D, you can set the voice scrambler to be always active, without pressing a key. The operator cannot switch off the voice scrambler.

5-1. Configuring a Scrambler Code

The scrambler code cannot be changed using the transceiver keys. Only one scrambler code can be set into the transceiver. If you want to change the code, you must use the KPG-62D to reconfigure the scrambler code.

5-2. Voice Scrambler Board Connection

• Modification

1. Remove the upper half of the case of the TK-785.
2. Remove R529 and R571 on the Control unit (X57-614 B/2 or X57-615 B/2).

INSTALLATION

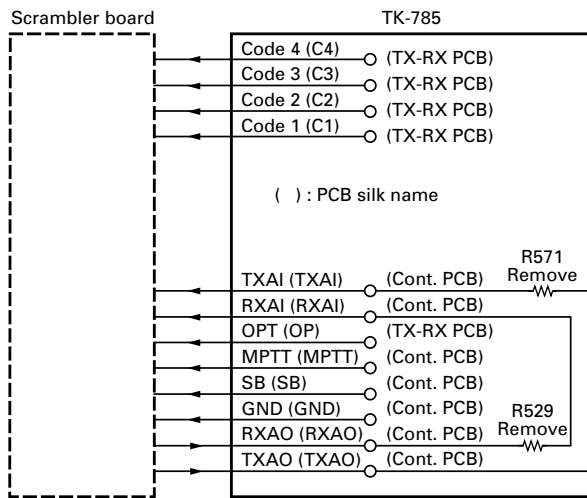


Fig 7

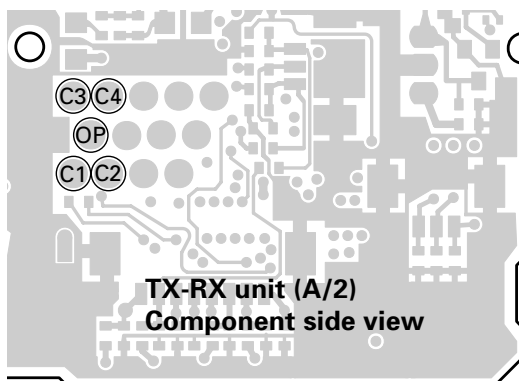


Fig. 8-1 K,E type

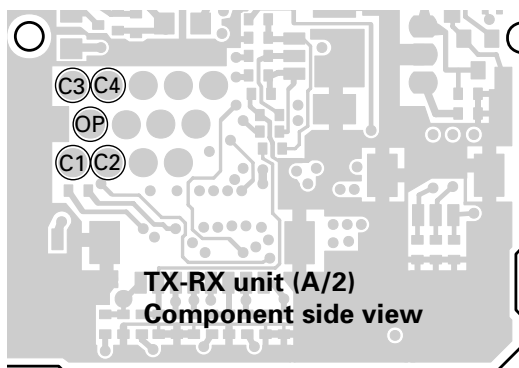


Fig. 8-2 M type

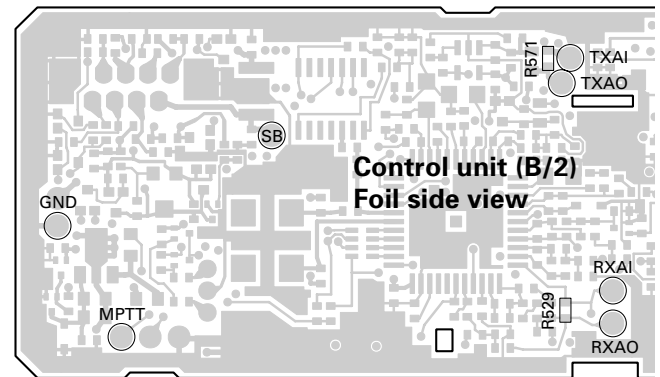


Fig. 8-3

6. PA/HA Unit (KAP-1 : Option)

6-1. Installing the KAP-1 in the Transceiver

The Horn Alert (max. 2A drive) and Public Address functions are enabled by inserting the KAP-1 W1 (3P; white/black/red) into CN3 on the TX-RX unit, inserting W2 (3P; green) into CN5 on the TX-RX unit, and connecting the KCT-19 (option) to CN2 and CN3 of the KAP-1.

• Installation procedure

1. Open the upper case of the transceiver.
2. Insert the two cables (❶) with connectors from the KAP-1 switch unit into the connectors on the transceiver.
3. Secure the switch unit board to the chassis with a screw (❸). The notch (❷) in the board must be placed at the front left side.
4. Attach the cushion on the top of the KAP-1 switch unit.

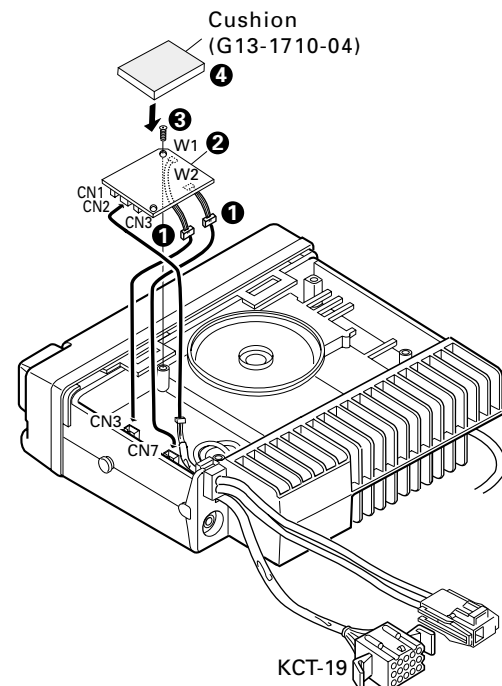


Fig. 9

INSTALLATION

6-2. Modifying the Transceiver

• Horn alert

The signal from pin 4 of IC7 on the TX-RX unit turns Q4 and Q6 on and off and drives KAP-1 HA relay to drive the horn with a maximum of 2A.

The default output is HR1. The relay open output can be obtained between HR1 and HR2 by removing R1 in the KAP-1.

	R1	Output form
HR1 (Default)	Enable	
HR2	Disable	

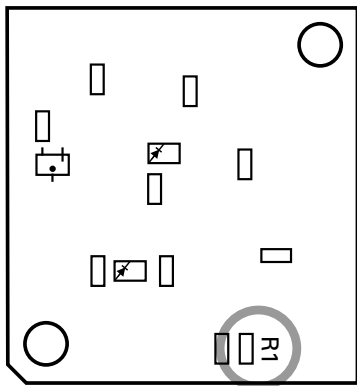


Fig. 10 KAP-1 foil side view

• Public address

The signal from pin 13 of IC7 on the TX-RX unit drives PA relay in the KAP-1 and switches the audio power amplifier output between the external PA system (through KCT-19) and internal and external speakers.

To use the PA function, R109 on the TX-RX unit must be removed.

	R109
Use the PA function	No
Do not use the PA function	Yes

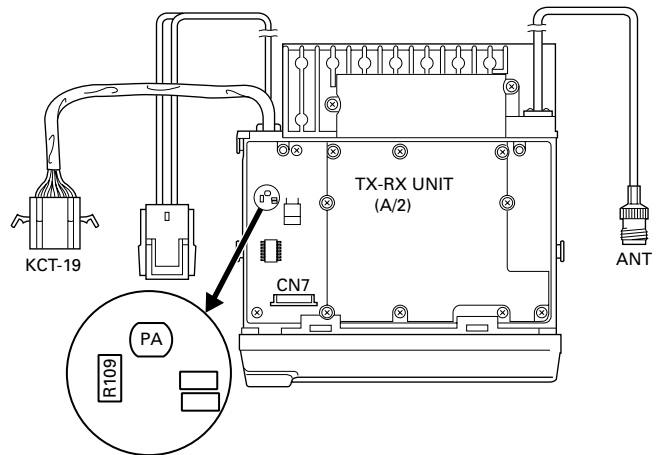


Fig. 11

7. Fitting the Control Panel Upside Down

The TK-785 control panel can be fitted upside down, so the transceiver can be mounted with its internal speaker (in the upper half of the case) facing down in your car.

1. Remove the control panel and the TX-RX unit (B/2) control section. (Fig. 12)

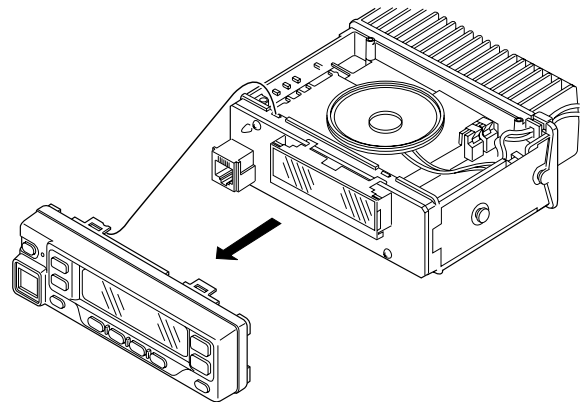


Fig. 12

INSTALLATION

2. Fold the flat cable (❶) in the opposite direction (❷).
3. Rotate the control section (❸) 180 degrees (❹).
4. Insert the flat cable into the control section connector, CN502 (❺).
5. Mount the control section on the transceiver (❻).

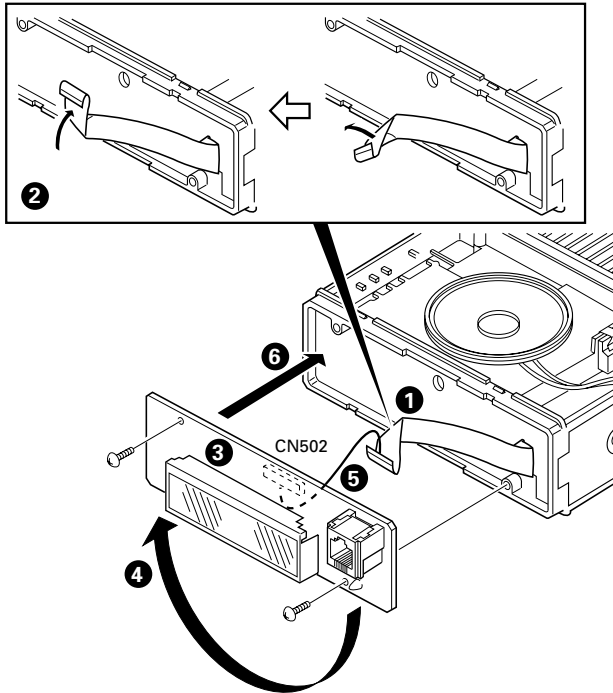


Fig. 13

6. Rotate the control panel 180 degrees and mount it on the transceiver. Refit the two halves of the case to complete installation. (Fig. 14)

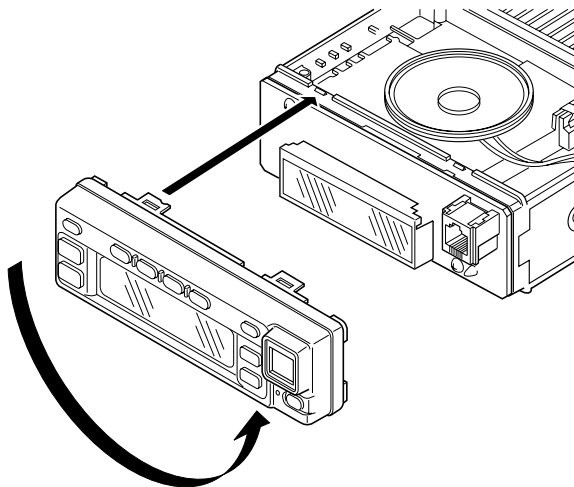


Fig. 14

8. External Speaker

8-1. KES-3 : Option

The KES-3 is an external speaker for the 3.5-mm-diameter speaker jack.

• Connection procedure

1. Connect the KES-3 to the 3.5-mm-diameter speaker jack on the rear of the transceiver.

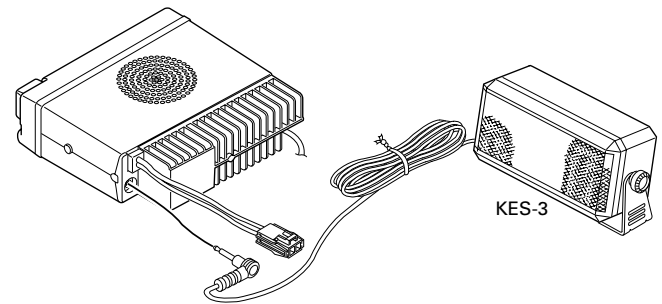


Fig. 15

8-2. KES-4 : Option

The KES-4 is an external speaker used with the accessory connection cable.

• Connection procedure

1. Install the KCT-19 in the transceiver. (See the KCT-19 section.)
2. Insert the crimp terminal into the square plug supplied with the KCT-19.
3. Connect CN5 of the transceiver to connector C of the KCT-19 instead of to the internal speaker connector.

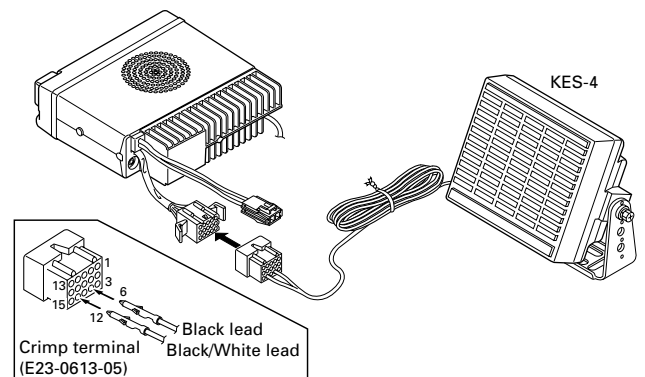


Fig. 16

CIRCUIT DESCRIPTION

Frequency Configuration

The TX-RX unit incorporates a VCO, based on a fractional N type PLL synthesizer system, that has 12.5kHz. The incoming signal from the antenna is mixed with a first local oscillation frequency to produce a first intermediate frequency of 44.85MHz.

The signal is then mixed with a second local oscillation frequency of 44.395MHz to produce a second intermediate frequency of 455kHz. This is called a double-conversion system. The transmit signal is produced by the PLL circuit for direction oscillation and division. The signal output from the VCO is amplified by a straight amplifier and transmitted.

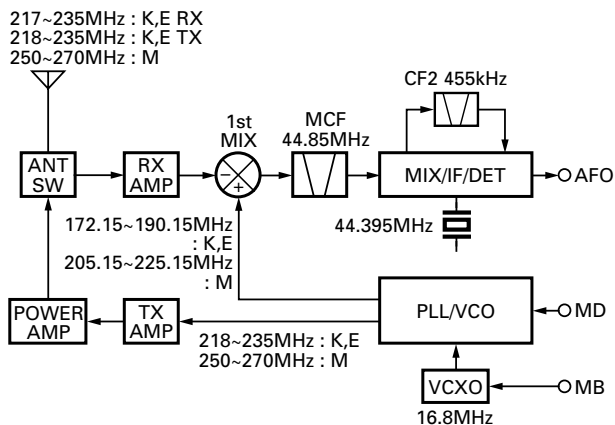


Fig. 1 Frequency configuration

Receiver System

■ Outline (K,E type)

The incoming signal from the antenna passes through a low-pass filter and a transmission/reception selection diode switch (D211) and goes to the front end of the receiver. The front-end filter is a variable BPF consisting of three coils and three varicap diodes (D206, D207, D208) to eliminate unwanted out-of-band signal components. The low-noise amplifier (LNA) (Q202) uses a bipolar transistor to achieve wide-band and low-distortion amplification.

The signal passes through the BPF and is down-converted with the first local signal by IC202 to produce the first IF signal of 44.85 MHz. The first local signal passes through an LPF and an attenuator to eliminate unwanted harmonics components and implement the optimum input level to the mixer, then enters IC202. A DBM is used as a mixer to achieve a high potential.

The signal output from the mixer passes through two MCFs (XF1). The signal is amplified by an intermediate frequency amplifier and input to the FM IF IC (IC11).

The first intermediate frequency signal is mixed with the second local signal of 44.395MHz to produce the second IF signal of 455kHz.

The unwanted near-by signal components are then eliminated by a ceramic filter (CF2) and the resulting signal goes back to the FM IF IC. The signal is quadrature-detected in the IC to produce an audio signal, which is amplified by a DET amplifier (IC2) and output to the control unit.

■ Outline (M type)

The incoming signal from the antenna passes through a low-pass filter and a transmission/reception selection diode switch (D209) and goes to the front end of the receiver. The front-end filter is a variable BPF consisting of two two-pole helical resonators and eight varicap diodes (D203, D204, D205, D206, D212, D213, D214, D215) to eliminate unwanted out-of-band signal components. The low-noise amplifier (LNA) (Q201) uses a bipolar transistor to achieve wide-band and low-distortion amplification.

The signal passes through a BPF and is down-converted with the first local signal by IC200, then converted to the first IF signal of 44.85MHz. The first local signal passes through an LPF and an attenuator to eliminate unwanted harmonics components and implement the optimum input level to the mixer, then enters IC200. A DBM is used as a mixer to achieve a high potential.

The signal output from the mixer is amplified by an intermediate frequency amplifier and input to two MCFs (XF1). The signal is amplified by another intermediate amplifier and goes to the FM IF IC (IC11). The first intermediate frequency signal is mixed with the second local signal of 44.395MHz to produce the second IF signal of 455kHz.

The unwanted near-by signal components are then eliminated by a ceramic filter (CF2) and the resulting signal goes back to the FM IF IC. The signal is quadrature-detected in the IC to produce an audio signal, which is amplified by a DET amplifier (IC2) and output to the control unit.

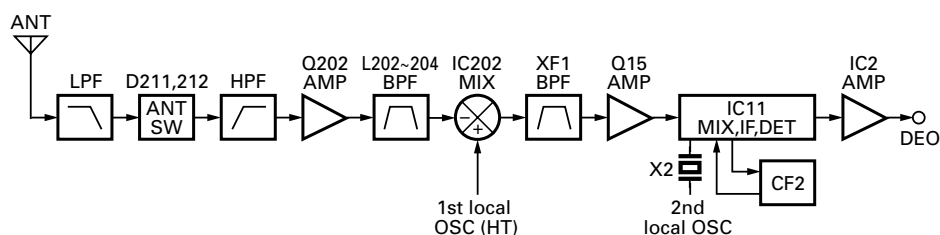


Fig. 2 Receiver system (K,E type)

CIRCUIT DESCRIPTION

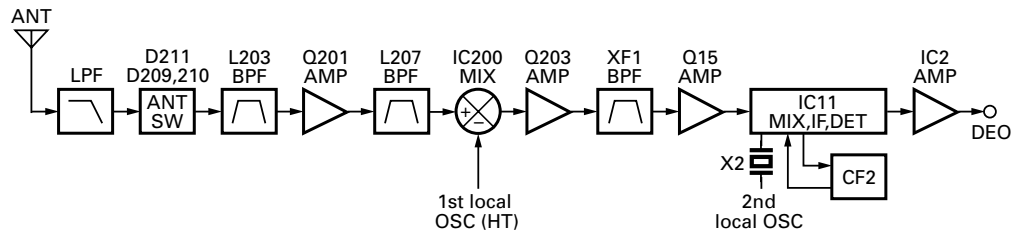


Fig. 2 Receiver system (M type)

■ AF Signal System

The detection signal (DEO) from the TX-RX unit goes to the audio processor (IC504) of the control unit. The signal passes through a filter in the audio processor to adjust the gain, and is output to IC502. IC502 sums the AF signal and the DTMF signal and returns the resulting signal to the TX-RX unit. The signal (AFO) sent to the TX-RX unit is input to the D/A converter (IC5). The AFO output level is adjusted by the D/A converter. The signal output from the D/A converter is added with the BEEP signal (BPO) and the resulting signal is input to the audio power amplifier (IC10). The AF signal from IC10 switches between the internal speaker and speaker jack (J1) output.

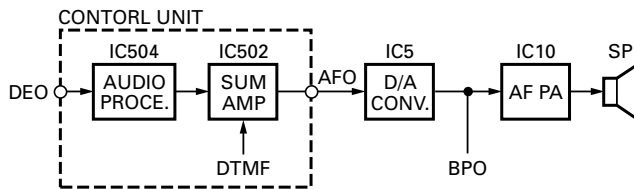


Fig. 3 AF signal system

■ Squelch Circuit

The detection output from the FM IF IC (IC11) is amplified by IC2 and the signal (DEO) is sent to the control unit. The signal passes through a high-pass filter and a noise amplifier (Q503) in the control unit to detect noise. A voltage is applied to the CPU (IC511). The CPU controls squelch according to the voltage (ASQ) level. The signal from the RSSI pin of IC11 is monitored. The electric field strength of the receive signal can be known before the ASQ voltage is input to the CPU, and the scan stop speed is improved.

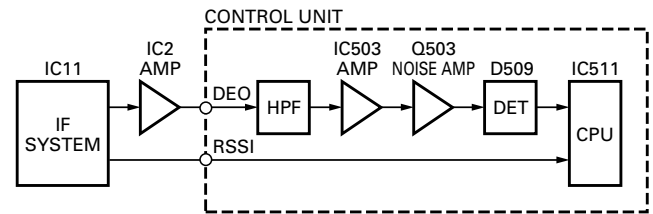


Fig. 4 Squelch circuit

Transmitter System

■ Outline

The transmitter circuit produces and amplifies the desired frequency directly. It FM-modulates the carrier signal by means of a varicap diode.

■ VCO/PLL Circuit

The TK-785 has a VCO for the transmitter and a VCO for the receiver in a sub-unit (A1). They are housed in a solid shielded case and connected to the TX-RX unit through CN101. One of the VCOs is selected with an ST signal. A filtered low-noise power supply is used for the VCOs and varicap diodes.

The VCO for the transmitter is described below. It is designed so that Q103 turns on with a prescribed frequency when a reverse bias is applied to D102 and D107 by using the control voltage (CV) through CN101. The control voltage is changed by turning the trimmer capacitor (TC102). The output from Q103 is applied to the buffer amplifier (Q106) to generate a VCO output signal. This signal is used as a drive input signal or a local signal of the first mixer.

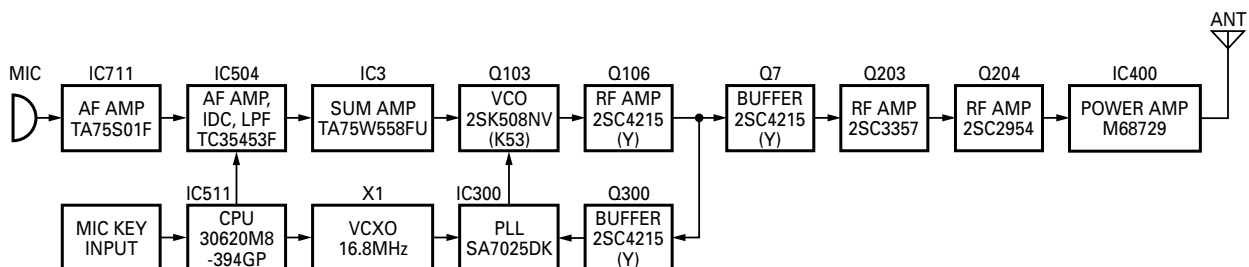


Fig. 5 Transmitter system (K,E type)

CIRCUIT DESCRIPTION

Since a signal output from Q106 is input to the PLL IC, it passes through CN101 and buffer amplifier (Q300) and goes to the PLL IC (IC300). The modulation signal from CN101 is applied to D109 and passes through C125 and C126 to modulate the carrier.

The PLL IC uses a fractional N type synthesizer to improve the C/N ratio and lock-up speed. The VCO output signal input to the pin 5 of the PLL IC is divided to produce a comparison frequency according to a channel step. This sig-

nal is compared with the reference frequency which is output from the VCXO (X1). VCXO provides 16.8MHz, 2.5ppm (-30 to +60°C) and guarantees stable performance when the temperature changes. The output signal from the phase comparator passes through a charge pump and an external active LPF (Q301, Q302) in the PLL IC to generate a DC VCO control voltage CV. Serial data (DT, CK, EP) are output from the CPU (IC511) and shift register (IC8) in the control unit to control the PLL IC.

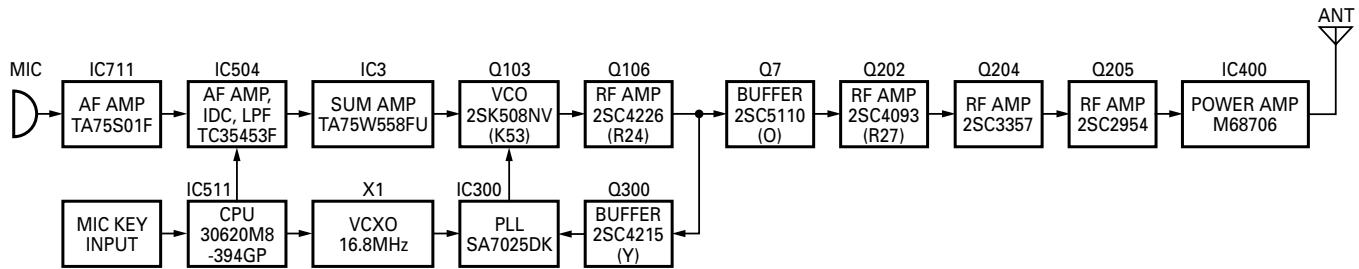


Fig. 5 Transmitter system (M type)

■ Unlock Circuit

During reception, the T/R signal goes high, the KEY signal goes low, and Q10 turns on. Q11 turns on and a voltage is applied to the collector (8R). During transmission, the T/R signal goes low, the KEY signal goes high and Q13 turns on. Q12 turns on and a voltage is applied to 8T.

The CPU in the control unit monitors the PLL (IC300) LD signal directly. When the KEY signal goes low, no voltage is applied to 8T, and no signal is transmitted.

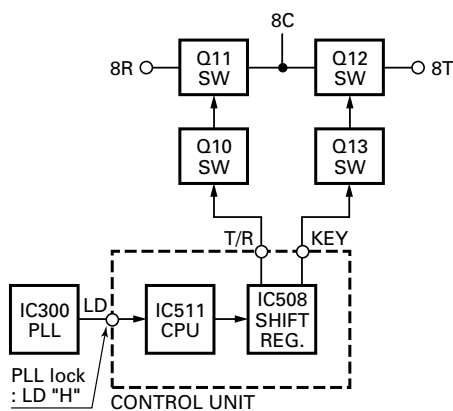


Fig. 6 Unlock circuit

■ Power Amplifier Circuit (K,E type)

The transmit output signal from the VCO is amplified to a specified level of the power module (IC400) by the drive block (Q203, Q204). The amplified signal passes through the transmission/reception selection diode (D211) and goes to a low-pass filter. The low-pass filter removes unwanted high-frequency harmonic components, and the resulting signal is sent to the antenna terminal.

■ Power Amplifier Circuit (M type)

The transmit output signal from the VCO is amplified to a specified level of the power module (IC400) by the drive block (Q202, Q204, Q205). The amplified signal passes through the transmission/reception selection diode (D209) and goes to a low-pass filter. The low-pass filter removes unwanted high-frequency harmonic components, and the resulting signal is sent to the antenna terminal.

CIRCUIT DESCRIPTION

■ APC Circuit

The automatic transmission power control (APC) circuit detects part of a power module output with a diode (D27, D30) and applies a voltage to Q21. Q21 compares the APC control voltage (PC) generated by the D/A converter (IC5) and DC amplifier (IC6) with the detection output voltage to control Q19 and Q20, generates DB voltage from B voltage, and stabilizes transmission output.

Q17 turns the PC signal on or off using 8T so that the circuit works only during transmission. With stability at low power in mind, Q29 turns off to optimize the detection voltage.

The APC circuit is configured to protect overcurrent of the power module due to fluctuations of the load at the antenna end and to stabilize transmission output at voltage and temperature variations.

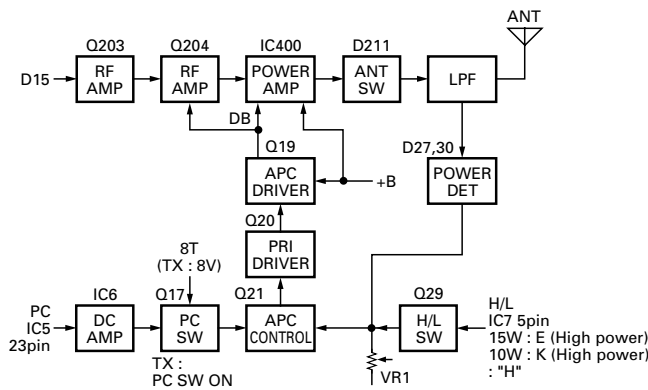


Fig. 7 APC circuit (K,E type)

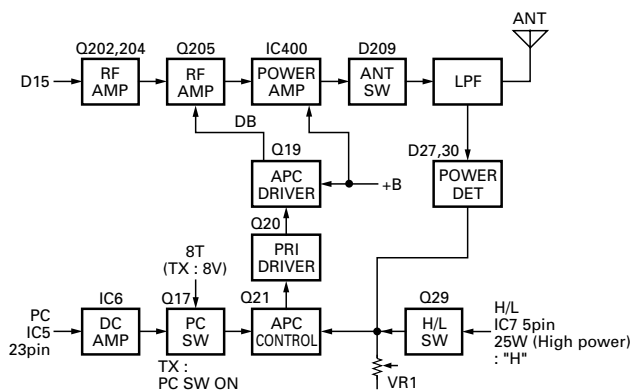


Fig. 7 APC circuit (M type)

Control Circuit

The CPU carries out the following tasks:

- 1) Controls the shift register (IC7, IC8, IC508) AF MUTE, T/R KEY outputs.
- 2) Adjusts the AF signal level of the audio processor (IC504) and turns the filter select compounder on or off.
- 3) Controls the DTMF decoder (IC507).
- 4) Controls the LCD assembly display data.
- 5) Controls the PLL (IC300).
- 6) Controls the D/A converter (IC5) and adjusts the volume, modulation and transmission power.

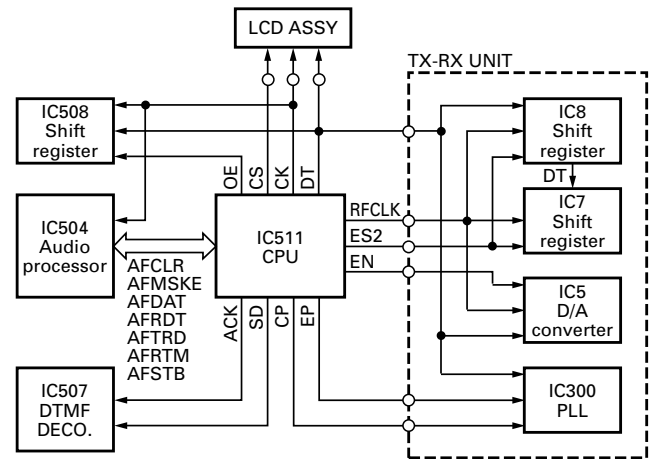


Fig. 8 Control circuit

■ Memory Circuit

Memory circuit consists of the CPU (IC511) and a flash memory (IC510). A flash memory has a capacity of 2M bits (256k x 8) and contains the transceiver control program for the CPU and the data for operating features.

This program can be easily downloaded from an external device. The CPU (IC511) controls the flash memory through an external address bus and an external data bus. The CPU controls the EEPROM (IC512) through two serial data lines.

• Flash Memory

Note: The flash memory stores the data containing the FPU (KPG-62D) program, Security Number (MPT Serial Number), and firmware program (User mode, Test mode, Tuning mode, etc.).

This data must be reinstalled when replacing the flash memory.

• EEPROM

Note: The EEPROM stores tuning data (Deviation, Squelch, etc.).

Realign the transceiver after replacing the EEPROM.

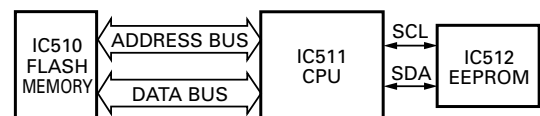


Fig. 9 Memory circuit

CIRCUIT DESCRIPTION

■ Display Circuit

The CPU (IC511) controls the shift register (IC508) and display LEDs. When the LG line goes high when the transceiver is busy, Q508 turns on and the green LED on D511 lights. In transmit mode, the LR line goes high, Q509 turns on and the red light lights. Backlighting LEDs for the key operation unit (D512~D517) and LCD are provided.

When the KBLC line goes high, Q512 turns on, then Q513 turns on, and the key illumination LED lights. A voltage is applied to the LEDA line to turn on the LCD backlight.

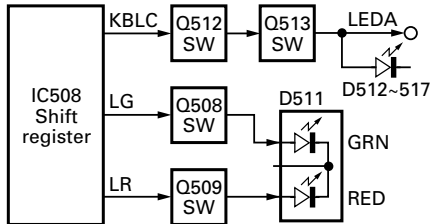


Fig. 10 Display circuit

■ Encode

The QT, DQT signals are output from LSDO of the CPU (IC511) and go to the D/A converter (IC5) of the TX-RX unit. The DTMF and single tone signals are output from HSDO of the CPU and goes to the audio processor (IC504). An MSK signal is output from the audio processor according to the data (AFDAT) from the CPU. The signal is summed with a MIC/MSK signal by the audio processor (IC504), and the resulting signal passes through an analog switch (IC506) and goes to the TX-RX unit (MO).

MO is summed with the external pin DI line by the summing amplifier (IC3) and the resulting signal goes to the D/A converter (IC5). The D/A converter (IC5) adjusts the MO level and the balance between the MO and TO levels. Part of a TO signal is summed with an output signal from pin 3 (MO) of IC5 and the resulting signal goes to the MD pin of the VCO. This signal is applied to a varicap diode in the VCO for direct FM modulation.

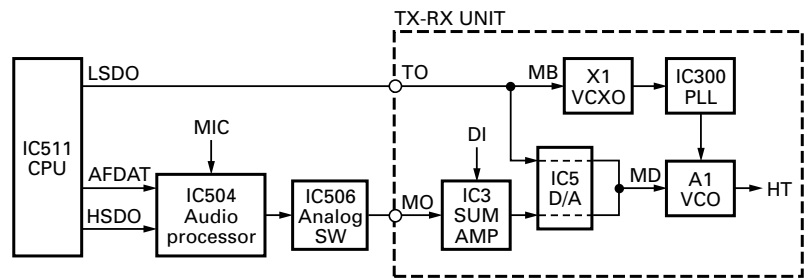


Fig. 12 Encode

■ Key Matrix Circuit

The TK-785 front panel has ten keys. Each of them is connected to a cross point of a matrix of the KEY1 to KEY7 ports of the microprocessor. The KEY5 to KEY7 ports are always high, while the KEY1 to KEY4 ports are always low.

The microprocessor monitors the status of the KEY1 to KEY7 ports. If the state of one of the ports changes, the microprocessor assumes that the key at the matrix point corresponding to that port has been pressed. Unused points (KEY1 to KEY7) are also used for foot switch (FSW) input.

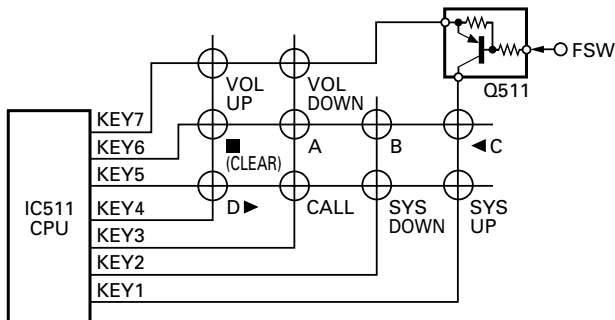


Fig. 11 Key matrix circuit

■ Decode

The signal (DEO) detected by the TX-RX unit passes through two low-pass filters of IC501, goes to LSDI of the CPU (IC511) to decode QT, DQT.

The MSK signal passes through IC504. IC504, includes band-pass filter and MSK decoder, converts the input signal into a square waveform (0 and 5V). This square waveform is then fed to AFRDT line of CPU (IC511).

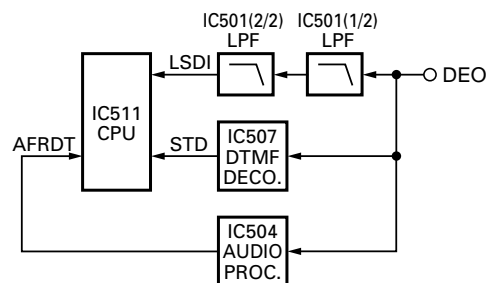


Fig. 13 Decode

CIRCUIT DESCRIPTION

■ D/A Converter

The D/A converter (IC5) is used to adjust TONE and MO modulation, beep, AF volume, TV voltage, FC reference voltage, and PC POWER CONTROL voltage level.

Adjustment values are sent from the CPU as serial data. The D/A converter has a resolution of 256 and the following relationship is valid:

$$\text{D/A output} = (\text{Vin} - \text{VDAREF}) / 256 \times n + \text{VDAREF}$$

Vin: Analog input

VDAREF: D/A reference voltage

n: Serial data value from the microprocessor (CPU)

■ Horn Control

The horn switch, consisting of Q4, Q5, and Q6, controls the horn relay. It is supplied by the dealer to provide the external horn alert function.

Q5 disables horn alert, turning on when its base is high, to inhibit the function. Normally, the output from IC7 is low, and Q6 is off; the base of Q4 is about 0V and Q4 is off. When horn alert is enabled, the output from IC7 goes high and Q6 turns on. The base current flows through R58 to Q4 to turn Q4 on. Q4 can sink a maximum of 100mA. If the operational KAP-1 is used, it can drive up to 2A.

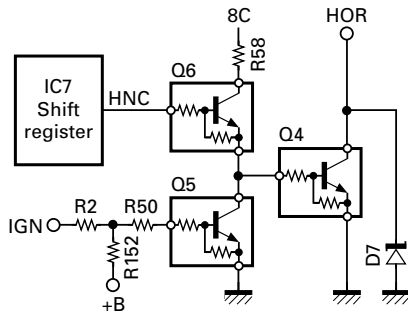


Fig. 14 Horn control

■ PA Switch

If the optional KAP-1 is used, the PA (Public Address) function becomes available. In this case, the signal flow changes as follows;

"PA2"	Q507	SW.A	SW.B	SW.D	Public address
L	L	L	H	H	OFF
H	H	H	L	L	ON

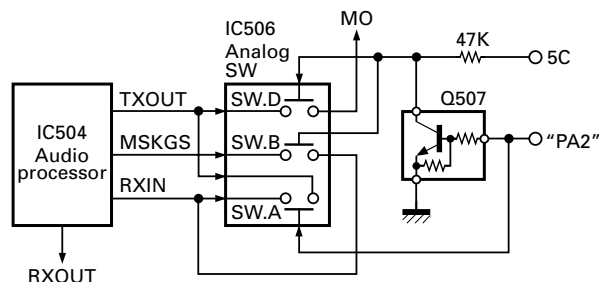


Fig. 15 PA switch

Power Supply Circuit

When the POWER switch on the control unit is pressed, the PSW signal goes low. This signal is inverted by Q26 and sent to a flip-flop IC (IC15). This IC outputs a control signal when the PSW goes low. When the power turns on, pin 1 of IC15 outputs a low signal and Q30 turns on. The base of Q28 goes high, Q28 turns on, SB SW (Q27) turns on and power (SB) is supplied to the set.

This circuit has an over-voltage protection circuit. If a DC voltage of 20V or higher is applied to the power cable, D34 turns on and a voltage is applied to the base of Q31. This voltage turns Q31 on and turns Q28 and SBSW off. This circuit has a TIMED POWER OFF (TOF) function which can be programmed by software.

It is controlled through pin 6 of IC7. When the TOF line goes high, Q22 turns on and then Q25 turns on. Pin 6 of IC15 goes high, then pin 1 goes high to turn Q27 off.

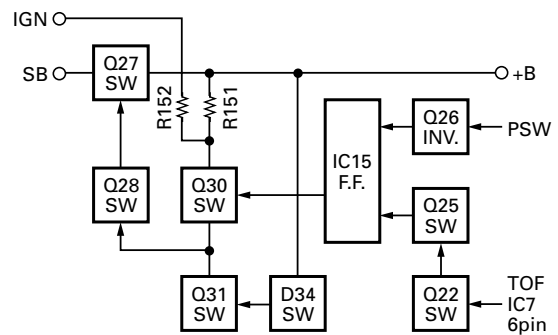


Fig. 16 Power supply circuit

SEMICONDUCTOR DATA

Microprocessor : 30620M8-394GP (TX-RX Unit IC511)

■ Terminal function

Pin No.	Name	I/O	Function	Pin No.	Name	I/O	Function
1	LSDOUT	O	Low speed data output.	36	RFCLK	O	Common clock output. (TX-RX unit)
2	HSDOUT	O	High speed data output.	37	RDY	-	Not used.
3	HSDIN	I	High speed data input.	38	ALE	-	Not used.
4	DTMSTD	I	DTMF decode IC data detect input.	39	HOLD	-	Not used.
5	SELF	I	No function.	40	HLDA	-	Not used.
6	BYTE	I	+5V.	41	BLCK	-	Not used.
7	CNVSS	I	GND.	42	RD	-	Flash memory RD bus.
8	SFTOE	O	Shift register output enable.	43	BHE	-	Not used.
9	LCDCS	O	LCD driver chip select output.	44	WR	-	Flash memory WR bus.
10	RESET	I	Microcomputer reset input.	45	DTMCLK	O	DTMF decode IC clock output.
11	XOUT	-	9.8304MHz (System clock).	46	CNTCLK	O	Common clock output. (Control unit)
12	VSS	-	GND.	47	EP	O	PLL IC data strobe output.
13	XIN	-	9.8304MHz (System clock).	48	CSO	O	Flash memory chip enable.
14	VCC	-	+5V.	49	A19	-	Not used.
15	IGN	I	Ignition input.	50~59	A18~A9	-	Flash memory address bus.
16	AFTRD	I	FFSK modulation data output timing pulse input.	60	VCC	-	+5V.
17	AFRTM	I	FFSK demodulation data input timing pulse input.	61	A8	-	Flash memory address bus.
18	MICDAT	O	MIC key data output.	62	VSS	-	GND.
19	CP	O	PLL IC clock output.	63~70	A7~A0	-	Flash memory address bus.
20	BEEP	O	Beep data output.	71~74	KEY1~KEY4	I/O	Key matrix data input/output 1~4.
21	AFRDT	I	FFSK demodulation data input.	75	MINDAT	O	Common data output.
22	AFREG1	O	AF IC register switching data output 1.	76~78	KEY5~KEY7	I	Key matrix data input 5~7.
23	AFREG2	O	AF IC register switching data output 2.	79~86	D7~D0	-	Flash memory data bus.
24	EEPDAT	O	EEPROM data output.	87	DTMDAT	I	DTMF decode IC data input.
25	EN	O	D/A converter IC data strobe output.	88	AUXDTC	I	External DTC input.
26	AFCLR	O	FFSK flame reset output.	89	MICBLC	O	MIC back light control output.
27	RXCOM2	I	External hook input / External serial interface input.	90	POWSW	I	Power switch input.
28	TXCOM2	I/O	External PTT input / External serial interface output.	91	ANLSQL	I	Squelch level input.
29	TXCOM1	O	External serial interface output.	92	PTT	I	PTT switch input.
30	RXCOM1	I	External serial interface input.	93	RSSI	I	Received signal strength indicator input.
31	LD	I	PLL unlock detect input.	94	AVSS	-	GND.
32	AFMSKE	O	FFSK modulation enable. (Enable active "H")	95	LSDIN	I	Low speed data input.
33	TXD	O	Serial interface output.	96	VREF	-	+5V.
34	HOOK	I	Hook input / Serial interface input.	97	AVCC	-	+5V.
35	AFDAT	O	FFSK data output.	98	ES1	O	Shift register data strobe output. (Control unit)
				99	ES2	O	Shift register data strobe output. (TX-RX unit)
				100	AFSTB	O	AF IC data strobe output.

SEMICONDUCTOR DATA

Shift Register : BU4094BCFV

■ Terminal function (TX-RX unit IC508)

Pin No.	Port	Name	Function
1	ES	ES1	Strobe
2	DT	DAT	Data
3	CK		Clock
4	Q1	LEDR	Red LED. H : ON, L : OFF
5	Q2	LEDG	Green LED. H : ON, L : OFF
6	Q3	KEYBLT	Key back light. H : ON, L : OFF
7	Q4	MMUTE	MIC mute. H: Mute, L : Unmute
8	VSS		GND
9			NC
10			NC
11	Q8	PA2	Public address control 2. H : ON, L : OFF
12	Q7	BSHIFT	Beat shift. H : ON, L : OFF
13	Q6	KEY	TX power switching. H : TX, L : RX
14	Q5	T/R	TX/RX switching. H : RX, L : TX
15	OE		Output enable
16	VDC		+5V

■ Terminal function (TX-RX unit IC7)

Pin No.	Port	Name	Function
1	STB	ES	Strobe
2	SI	DT	Data
3	CLK	CK	Clock
4	Q1	HORN	Horn alert. H : ON, L : OFF / Auxiliary A. H : ON, L : OFF
5	Q2	HL	RF power switching. H : High, L : Low
6	Q3	TIMOFF	Timed power off. H : Power off
7	Q4	CODE3	Option board data 1. H : ON, L : OFF
8	VSS		GND
9			NC
10			NC
11	Q8	W/N	No function
12	Q7		NC
13	Q6	PA1	Public address 1. H : ON, L : OFF
14	Q5	CODE4	Option board data 1. H : ON, L : OFF
15	OE		Output enable
16	VDC		+5V

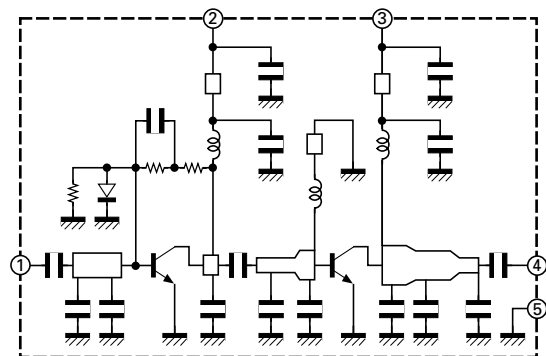
■ Terminal function (TX-RX unit IC8)

Pin No.	Port	Name	Function
1	STB	ES	Strobe
2	SI	DT	DATA
3	CLK	CK	Clock
4	Q1	AM1	Audio mute 1. H : Mute, L : Unmute
5	Q2	LOK	No function
6	Q3	STR	VCO shift switching. H : TX, L : RX
7	Q4	DM	Dead mute. H : RX, L : TX
8	VSS		GND
9	QS		IC7 data output
10			NC
11	Q8	SQ	No function
12	Q7	CODE2	Option board data 2. H : ON, L : OFF
13	Q6	CODE1	Option board data 1. H : ON, L : OFF
14	Q5	OPT	Option board control. H : ON, L : OFF / Auxiliary B.
15	OE		Output
16	VDC		+5V.

Power Module

M68729 (TX-RX Unit IC400) : K,E type

■ Equivalent circuit diagram



- 1 : Input terminal (Pin)
- 2 : First power terminal (Vcc1)
- 3 : End power terminal (Vcc2)
- 4 : Output terminal (Pout)
- 5 : Fin (Earth)

DESCRIPTION OF COMPONENTS

TX-RX Unit (X57-6142-71) (A/2) : K,E

Ref. No.	Use / Function	Operation / Condition
IC1	DC amp	FC, TCXO control
IC2	DET amp	External DEO, internal DEO
IC3	Amp/Summing amp	DI / DI and MO addition
IC4	Analog switch	DI switch
IC5	A/D converter	PC, TV, FC, AFO, BEEP, TO, MO control
IC6	DC amp	PC
IC7	Shift register	HNC, H/L, TOF, CODE3, CODE4, PA control
IC8	Shift register	AM, LOK, STR, DM, OPT, CODE1, CODE2 control
IC9	5V AVR	External 5C
IC10	AF power amp	
IC11	FM IF DET	Quadrature detector, 2nd mixer, OSC, IF amplifier, RSSI
IC12	5V AVR	5C
IC13	9V AVR	9C
IC14	8V AVR	8C
IC15	Flip-flop	Power on/off control
IC201	DC amp	TV
IC202	Mixer	DBM
IC300	PLL	Reference 16.8MHz. PLL lock : LD "H"
IC400	Power module	RF power 10W (K), 15W (E)
IC401	Short protection	
Q1	DC switch	When PTT on CN1 is "H", DI on CN1 is muted
Q2	Ripple filter	8CL
Q3	Ripple filter	9CL
Q4	HOR switch	IGN
Q5	HOR SW control	IGN
Q6	HOR SW control	Active while HNC is "H"
Q7	Buffer amp	HT
Q8	AF mute	Active while AM1 is "H"
Q9	AF mute	Active while power switch is off
Q10	8R SW control	Active while T/R is "H"
Q11	8R switch	Active while Q10 is active
Q12	8T switch	Active while Q13 is active
Q13	8T SW control	Active while KEY is "H"
Q15	IF amp	44.85MHz
Q16	DET output level switch	No function
Q17	PC switch	Active while TX
Q18	DET mute	Active while KEY is "H"
Q19	APC	APC driver
Q20	APC	APC predriver
Q21	APC control	
Q22	TOF switch	Active while TOF is "H"

Ref. No.	Use / Function	Operation / Condition
Q23	W/N switch	No function
Q24	W/N switch	No function
Q25	TOF switch	Active while Q22 is on
Q26	Inverter	Active while power switch is "L"
Q27	SB switch	Active while Q28 is on
Q28	SB SW control	Active while Q30 is on, and Q31 is off
Q29	H/L switch	Active while RF power is High
Q30	SB SW control	Active while power switch is on
Q31	SB SW control	Active while power supply voltage is more than 20V
Q32	DET mute	Active while TX
Q202	LNA	
Q203	RF amp	Power module predrive
Q204	RF amp	Power module drive
Q300	Buffer amp	PLL
Q301,302	Active filter	
Q401	Short protection	Power module protection
Q402	W/N switch	No function
Q403	W/N switch	No function
D1~6	Protection	
D7	HOR protection	
D8,9	Protection	
D11	OR gate	AF mute
D12~14	Protection	
D15	HT switch	
D16	Reverse protection	
D17	Protection	
D20	Reverse protection	IGN
D21	Protection	5V (IGN)
D22,23	W/N switch	No function
D24	Over current protection	
D26	Reverse protection	
D27	Power detection	
D28	Protection	
D30	Power detection	
D31	Reverse protection	
D32	Surge absorption	B
D34	Protection	Active while power supply voltage is more than 20V
D35	Charge	DEO
D37	Reverse protection	
D206~208	BPF tune	
D209,210	Usable temperature range	
D211	ANT switch	Active while TX
D212	ANT switch	

DESCRIPTION OF COMPONENTS

TX-RX Unit (X57-6150-21) (A/2) : M

Ref. No.	Use / Function	Operation / Condition
IC1	DC amp	FC, TCXO control
IC2	DET amp	External DEO, internal DEO
IC3	Amp/Summing amp	DI / DI and MO addition
IC4	Analog switch	DI switch
IC5	A/D converter	PC, TV, FC, AFO, BEEP, TO, MO control
IC6	DC amp	PC, TV
IC7	Shift register	HNC, H/L, TOF, CODE3, CODE4, PA control
IC8	Shift register	AM, LOK, STR, DM, OPT, CODE1, CODE2, SQ control
IC9	5V AVR	External 5C
IC10	AF power amp	
IC11	FM IF DET	Quadrature detector, 2nd mixer, OSC, IF amplifier, RSSI
IC12	5V AVR	5C
IC13	9V AVR	9C
IC14	8V AVR	8C
IC15	Flip-flop	Power on/off control
IC200	Mixer	DBM
IC300	PLL	Reference 16.8MHz. PLL lock : LD "H"
IC400	Power module	RF power 25W
IC401	Short protection	
Q1	DC switch	When PTT on CN1 is "H", DI on CN1 is muted
Q2	Ripple filter	8CL
Q3	Ripple filter	9CL
Q4	HOR switch	IGN
Q5	HOR SW control	IGN
Q6	HOR SW control	Active while HNC is "H"
Q7	Buffer amp	HT
Q8	AF mute	Active while AM1 is "H"
Q9	AF mute	Active while power switch is off
Q10	8R SW control	Active while T/R is "H"
Q11	8R switch	Active while Q10 is active
Q12	8T switch	Active while Q13 is active
Q13	8T SW control	Active while KEY is "H"
Q15	IF amp	44.85MHz
Q16	AF switch	No function
Q17	PC switch	Active while TX
Q18	DET mute	Active while KEY is "H"
Q19	APC	APC driver
Q20	APC	APC predriver
Q21	APC control	
Q22	TOF switch	Active while TOF is "H"
Q23,24	W/N switch	No function
Q25	TOF switch	Active while Q22 is on
Q26	Inverter	Active while power switch is "L"
Q27	SB switch	Active while Q28 is on
Q28	SB SW control	Active while Q30 is on, and Q31 is off
Q29	H/L switch	Active while RF power is High
Q30	SB SW control	Active while power switch is on
Q31	SB SW control	Active while power supply voltage is more than 20V
Q32	DET mute	Active while TX
Q201	RF amp	Low noise amplifier
Q202	RF amp	Power module predrive
Q203	Pre IF amp	44.85MHz
Q204,205	RF amp	Power module drive
Q300	Buffer amp	PLL
Q301,302	Active filter	
Q401	Short protection	Power module protection
Q402,403	W/N switch	No function
D1~6	Protection	
D7	HOR protection	
D8,9	Protection	
D11	AF mute	
D12~14	Protection	
D15	HT switch	
D16	Reverse protection	
D17	Protection	
D20	Reverse protection	IGN
D21	Protection	5V (IGN)
D22,23	W/N switch	No function
D24	Over current protection	
D26	Reverse protection	
D27	Power detection	
D28	Protection	
D30	Power detection	
D31	Reverse protection	
D32	Surge absorption	B
D34	Protection	Active while power supply voltage is more than 20V
D35	Charge	DEO
D37	Reverse protection	
D200	Large input protection	
D203~206	BPF tune	
D207	Usable temperature range	
D209	ANT switch	Active while TX
D210,211	ANT switch	
D212~215	BPF tune	

DESCRIPTION OF COMPONENTS

Control Unit (X57-6142-71) (B/2) : K,E
(X57-6150-21) (B/2) : M

Ref. No.	Use / Function	Operation / Condition
IC501	LPF, amplification	LSD
IC502	Amplification	AF, HSD
IC503	Base voltage/ Buffer amp	ASQ
IC504	Audio processor	Companer, MIC amplifier, ALC, Modem, AF filter, IDC
IC506	Analog switch	MO, DEO, EMG, MI switch
IC507	DTMF decoder	No function
IC508	Shift register	LR, LG, KBLC, MM1, T/R, KEY, BSFT, PA2 output
IC509	Reset	Low voltage output when powering up
IC510	Flash ROM	
IC511	CPU	
IC512	EEPROM	
IC513	5V AVR	5C (Control unit)
IC710	Buffer amp	HSD
IC711	Buffer amp	MIC
Q501	MIC mute	Active while MM is "H" and MM1 is "H"
Q502	AF mute	Active while KEY is "H"
Q503	Noise amp	
Q507	Inverter	PA2 H/L switch
Q508	LED switch (Green)	Active while LG is "H", active while RX
Q509	LED switch (Red)	Active while LR is "H", active while TX
Q510	Clock switch shift	Clock shift is on while BSFT is "H"
Q511	FSW swtich	Foot switch is on while FSW is "L"
Q512,513	Key backlight switch	Active while KBLC is "H"
Q515	Key backlight switch	Active while KBLC is "H"
D501	Surge absorption	BLC
D502	Over current protection	PSB
D503	Surge absorption	CM
D504	Surge absorption	PTT/TXD
D505	Surge absorption	HOOK/RXD
D507	OR gate (MIC mute)	MM/MM1
D508	Limiter	MIC
D509	Limiter	ASQ
D510	Reverse current protection	C575 charge
D511	BUSY/TX LED (Green/Red)	Lights green while busy, red while TX

Ref. No.	Use / Function	Operation / Condition
D512~517	Key backlight	Active while KBLC is "H"
D518	Current regulation	Key backlight
D520	Discharge	Speed up

VCO Unit (X58-471X-XX) 2-71 : K,E 0-21 : M

Ref. No.	Use / Function	Operation / Condition
Q101	Inverter	Active while ST is "H", active while TX
Q102	Oscillator	RX
Q103	Oscillator	TX
Q104	TX/RX switch	Active while ST is "H", active while TX
Q105	TX/RX switch	Active while Q101 is off
Q106	Buffer amp	
D101	RX VCO	
D102	TX VCO	
D104	RX VCO	
D107	TX VCO	
D109	Modulation	

PARTS LIST

* New Parts. Δ indicates safety critical components.
 Parts without **Parts No.** are not supplied.
 Les articles non mentionnés dans le **Parts No.** ne sont pas fournis.
 Teile ohne **Parts No.** werden nicht geliefert.

TK-785
 TX-RX UNIT (X57-6142-71) : K,E

Ref. No.	Address	New parts	Parts No.	Description	Desti-nation	Ref. No.	Address	New parts	Parts No.	Description	Desti-nation
TK-785						TX-RX UNIT (X57-6142-71) : K,E					
1	1A		A01-2165-13	CABINET (UPPER)		D511			B30-2151-05	LED (TX/BUSY)	
2	2A		A01-2166-13	CABINET (LOWER)		D512-517			B30-2171-05	LED	
3	2A		A62-0642-03	PANEL ASSY		C1-15			CK73GB1H102K	CHIP C 1000PF	K
5	1D,1F		B09-0235-05	CAP ACC		C16			C92-0507-05	CHIP-TAN 4.7UF	6.3WV
6	2B		B38-0835-05	LCD ASSY		C17			CK73GB1C104K	CHIP C 0.10UF	K
7	1A,1B		B42-2455-04	STICKER		C18			C92-0507-05	CHIP-TAN 4.7UF	6.3WV
8	2D,2F	*	B62-1262-00	INSTRUCTION MANUAL		C19			CC73GCH1H100D	CHIP C 10PF	D
9	1C	*	B72-1707-04	MODEL NAME PLATE	K	C20			CK73GB1E103K	CHIP C 0.010UF	K
9	1C	*	B72-1708-04	MODEL NAME PLATE	M	C21,22			CK73GB1H102K	CHIP C 1000PF	K
9	1C	*	B72-1711-04	MODEL NAME PLATE	E	C23			C92-0507-05	CHIP-TAN 4.7UF	6.3WV
11	1C		E30-2145-15	ANTENNA CABLE (M)	M	C24			CK73GB1H102K	CHIP C 1000PF	K
11	1C		E30-3031-15	ANTENNA CABLE (N)	K,E	C25			C92-0507-05	CHIP-TAN 4.7UF	6.3WV
12	1D,1F		E30-3339-05	DC CORD ACC		C27			CK73GB1H102K	CHIP C 1000PF	K
13	1C		E30-3340-05	DC CORD (RADIO)		C28			CC73GCH1H470J	CHIP C 47PF	J
14	2B		E37-0789-05	FLAT CABLE (CONT-TX/RX)		C29			C92-0628-05	CHIP-TAN 10UF	10WV
15	1B		E37-0790-25	LEAD WIRE WITH CONNECTOR (SP)		C30			CK73GB1H102K	CHIP C 1000PF	K
17	2B		F10-2234-04	SHIELDING COVER (AF, APC)	K,E	C31			C92-0628-05	CHIP-TAN 10UF	10WV
18	2B		F10-2280-02	SHIELDING COVER (TX/RX)		C32			CC73GCH1H220J	CHIP C 22PF	J
19	1C		F10-2354-03	SHIELDING PLATE (POWER MODULE)		C33			CK73GB1E103K	CHIP C 0.010UF	K
20	2C		F10-2355-04	SHIELDING COVER (POWER MODULE)		C34			C92-0505-05	CHIP-TAN 10UF	16WV
21	2B		F10-2371-04	SHIELDING COVER (TX/RX)	M	C35			CK73GB1E103K	CHIP C 0.010UF	K
22	2B		F20-1192-04	INSULATING SHEET (DISPLAY)		C36			C92-0628-05	CHIP-TAN 10UF	10WV
23	1D,1F		F51-0016-05	FUSE (6*30)		C37			C92-1341-05	ELECTRO 100UF	16WV
25	1B,1C		G02-0791-04	FLAT SPRING (AF, APC)		C38			C92-0505-05	CHIP-TAN 10UF	16WV
27	2B		G02-0862-14	EARTH SPRING (ANT)		C39			CK73GB1E103K	CHIP C 0.010UF	K
28	1B,1C		G10-1221-04	FIBROUS SHEET (CHASSIS)		C40			CK73GB1H102K	CHIP C 1000PF	K
29	1B		G10-1222-14	FIBROUS SHEET (CABNET)		C41			C92-1341-05	ELECTRO 100UF	16WV
30	1A,2A,2B		G10-1223-14	FIBROUS SHEET (CHASSIS)		C42			C92-0546-05	CHIP-TAN 68UF	6.3WV
31	1C		G13-1468-04	CUSHION (DC CORD)		C43			CK73GB1E103K	CHIP C 0.010UF	K
32	1B		G13-1690-04	CUSHION (SPEAKER)		C44			CK73GB1H102K	CHIP C 1000PF	K
33	2C		G53-0796-04	PACKING (PHONE JACK)		C45			C92-0507-05	CHIP-TAN 4.7UF	6.3WV
35	3D,3F		H10-6618-12	POLYSTYRENE FOAMED FIXTURE		C46			C92-0004-05	CHIP-TAN 1.0UF	16WV
36	2E,2G		H10-6619-12	POLYSTYRENE FOAMED FIXTURE		C47			CK73GB1H102K	CHIP C 1000PF	K
37	1E,1G		H12-1391-03	INNER PACKING CASE		C48			CK73FF1C105Z	CHIP C 1.0UF	Z
38	1D		H25-0103-04	PROTECTION BAG (125/250/0.07)	K,M	C49			CK73GB1H102K	CHIP C 1000PF	K
39	1E,1G		H25-0720-04	PROTECTION BAG (200X350)		C51,52			CK73GB1H102K	CHIP C 1000PF	K
40	3E	*	H52-1571-02	ITEM CARTON CASE	K,M	C54			CK73GB1C104K	CHIP C 0.10UF	K
40	3G	*	H52-1647-02	ITEM CARTON CASE	E	C55			CC73GCH1H180J	CHIP C 18PF	J
42	1F		J19-1584-05	MIC HANGER ACC		C56			CK73GB1H102K	CHIP C 1000PF	K
43	1D,1F		J29-0627-23	BRACKET ACC	E	C57			CK73GB1E103K	CHIP C 0.010UF	K
45	2B		K29-5422-02	KEY TOP		C58-60			CK73GB1H102K	CHIP C 1000PF	K
A	1A,2A		N33-2606-45	OVAL HEAD MACHINE SCREW		C61			CK73GB1E103K	CHIP C 0.010UF	K
B	2C		N67-3008-46	PAN HEAD SEMS SCREW		C62			CC73GCH1H100D	CHIP C 10PF	D
C	2B,1C		N87-2606-46	BRAZIER HEAD TAPTITE SCREW		C63			CK73FB1H103K	CHIP C 0.010UF	K
D	2B		N87-2612-46	BRAZIER HEAD TAPTITE SCREW		C64			CK73GB1E103K	CHIP C 0.010UF	K
47	1D,1F		N99-0395-05	SCREW SET		C65			CK73GB1C104K	CHIP C 0.10UF	K
49	1B		T07-0246-05	SPEAKER		C66			CK73GB1H102K	CHIP C 1000PF	K
51	1F		T91-0624-05	MIC ASSY ACC	E	C68			CK73GB1C104K	CHIP C 0.10UF	K
						C69			CC73GCH1H151J	CHIP C 150PF	J
						C70			C92-0719-05	ELECTRO 47UF	25WV
						C71			CK73GB1C104K	CHIP C 0.10UF	K
						C72,73			CK73GB1H102K	CHIP C 1000PF	K
						C74			C92-0719-05	ELECTRO 47UF	25WV

PARTS LIST

TX-RX UNIT (X57-6142-71) : K,E

Ref. No.	Address	New parts	Parts No.	Description	Destination	Ref. No.	Address	New parts	Parts No.	Description	Destination
C75			C92-0044-05	CHIP-ELE 47UF 10WV		C151			CC73GCH1H820J	CHIP C 82PF J	
C76			CK73GB1H102K	CHIP C 1000PF K		C153			CC73GCH1H080D	CHIP C 8.0PF D	
C77			C92-0719-05	ELECTRO 47UF 25WV		C154,155			CK73GB1E103K	CHIP C 0.010UF K	
C78			CK73GB1E103K	CHIP C 0.010UF K		C156			CK73GB1C104K	CHIP C 0.10UF K	
C79			C92-0722-05	ELECTRO 470UF 25WV		C157			CK73GB1E103K	CHIP C 0.010UF K	
C80			CK73GB1C104K	CHIP C 0.10UF K		C161			CC73GCH1H101J	CHIP C 100PF J	
C84			CC73GCH1H200J	CHIP C 20PF J		C163			CC73GCH1H221J	CHIP C 220PF J	
C87			CK73GB1H471K	CHIP C 470PF K		C167			CC73GCH1H100D	CHIP C 10PF D	
C88			CK73GB1E103K	CHIP C 0.010UF K		C168			C92-0585-05	CHIP-TAN 4.7UF 16WV	
C89			CK73GB1H471K	CHIP C 470PF K		C173			C92-0606-05	CHIP-TAN 4.7UF 10WV	
C90			CK73GB1H102K	CHIP C 1000PF K		C175			CK73GB1H102K	CHIP C 1000PF K	
C91,92			CK73GB1E103K	CHIP C 0.010UF K		C176,177			CC73GCH1H470J	CHIP C 47PF J	
C93			CK73GB1H102K	CHIP C 1000PF K		C181			CK73GB1H102K	CHIP C 1000PF K	
C94			CK73GB1H471K	CHIP C 470PF K		C182			C92-0565-05	CHIP-TAN 6.8UF 10WV	
C96			CC73GCH1H180J	CHIP C 18PF J		C188			CK73GB1H102K	CHIP C 1000PF K	
C97			CK73GB1H102K	CHIP C 1000PF K		C196-198			CK73GB1H102K	CHIP C 1000PF K	
C98			CC73GCH1H150J	CHIP C 15PF J		C199			CC73GCH1H080D	CHIP C 8.0PF D	
C99			CK73GB1H102K	CHIP C 1000PF K		C201			CK73GB1H102K	CHIP C 1000PF K	
C100			C92-0628-05	CHIP-TAN 10UF 10WV		C204			CK73GB1E103K	CHIP C 0.010UF K	
C101			CK73GB1H102K	CHIP C 1000PF K		C207,208			CK73GB1H102K	CHIP C 1000PF K	
C102			CC73GCH1H270J	CHIP C 27PF J		C209			CK73GB1C104K	CHIP C 0.10UF K	
C103			CK73GB1C104K	CHIP C 0.10UF K		C210			CK73GB1E103K	CHIP C 0.010UF K	
C104			CK73GB1E103K	CHIP C 0.010UF K		C211			CC73GCH1H120J	CHIP C 12PF J	
C105,106			C92-0516-05	CHIP-TAN 4.7UF 16WV		C212			CC73GCH1H1R5B	CHIP C 1.5PF B	
C107			C92-0628-05	CHIP-TAN 10UF 10WV		C213			CK73GB1H102K	CHIP C 1000PF K	
C108			CK73GB1C104K	CHIP C 0.10UF K		C214			CC73GCH1H120J	CHIP C 12PF J	
C109			CK73GB1H471K	CHIP C 470PF K		C215			CC73GCH1H010B	CHIP C 1.0PF B	
C111,112			CK73GB1H471K	CHIP C 470PF K		C216			CC73GCH1H120J	CHIP C 12PF J	
C113			CK73GB1E103K	CHIP C 0.010UF K		C217			CC73GCH1H060D	CHIP C 6.0PF D	
C114			C92-0543-05	CHIP-TAN 3.3UF 10WV		C222			CK73GB1H471K	CHIP C 470PF K	
C115			CC73GCH1H270J	CHIP C 27PF J		C224			CK73GB1H471K	CHIP C 470PF K	
C116			C92-0712-05	CHIP-TAN 0.010UF 6.3WV		C225,226			CK73GB1C104K	CHIP C 0.10UF K	
C117			CK73GB1E103K	CHIP C 0.010UF K		C228			CK73GB1C104K	CHIP C 0.10UF K	
C118			CK73GB1C104K	CHIP C 0.10UF K		C229			CK73GB1H471K	CHIP C 470PF K	
C119			C92-0543-05	CHIP-TAN 3.3UF 10WV		C230			CK73GB1H102K	CHIP C 1000PF K	
C120			CK73GB1H102K	CHIP C 1000PF K		C231			CC73GCH1H101J	CHIP C 100PF J	
C121			C92-0628-05	CHIP-TAN 10UF 10WV		C232			CK73GB1E103K	CHIP C 0.010UF K	
C123			CK73GB1C104K	CHIP C 0.10UF K		C233-236			CK73GB1H102K	CHIP C 1000PF K	
C124			CK73GB1E103K	CHIP C 0.010UF K		C237			CC73GCH1H100D	CHIP C 10PF D	
C125			CK73GB1H471K	CHIP C 470PF K		C238			CK73GB1H102K	CHIP C 1000PF K	
C126			CK73GB1C104K	CHIP C 0.10UF K		C239			CC73GCH1H090D	CHIP C 9.0PF D	
C127			CK73GB1E103K	CHIP C 0.010UF K		C240			CK73GB1H471K	CHIP C 470PF K	
C128			CK73GB1H471K	CHIP C 470PF K		C241			CC73GCH1H470J	CHIP C 47PF J	
C129			CK73GB1E103K	CHIP C 0.010UF K		C242			CC73FCH1H150J	CHIP C 15PF J	
C130			CK73GB1H102K	CHIP C 1000PF K		C243			CC73GCH1H470J	CHIP C 47PF J	
C131			CK73GB1H471K	CHIP C 470PF K		C245			CK73GB1H102K	CHIP C 1000PF K	
C132			CK73GB1C104K	CHIP C 0.10UF K		C246			CK73GB1E103K	CHIP C 0.010UF K	
C134			CK73FB1E224K	CHIP C 0.22UF K		C247			C92-0719-05	ELECTRO 47UF 25WV	
C135			CK73GB1H102K	CHIP C 1000PF K		C250			C92-0719-05	ELECTRO 47UF 25WV	
C136			CK73FB1E224K	CHIP C 0.22UF K		C251			C93-0558-05	CHIP C 8.0PF D	
C137			CK73GB1H471K	CHIP C 470PF K		C252			C93-0556-05	CHIP C 6.0PF D	
C138			CC73FCH1H0R5B	CHIP C 0.5PF B		C253			C93-0603-05	CHIP C 1000PF K	
C139			CC73FCH1H030B	CHIP C 3.0PF B		C255			CC73FCH1H040C	CHIP C 4.0PF C	
C140-143			CK73GB1H471K	CHIP C 470PF K		C256			C93-0553-05	CHIP C 3.0PF C	
C144			CK73GB1H102K	CHIP C 1000PF K		C257		*	C93-0690-05	CHIP C 13PF 500WV	
C145,146			CK73GB1H471K	CHIP C 470PF K		C258			C93-0565-05	CHIP C 27PF J	
C147			CC73FCH1H0R5B	CHIP C 0.5PF B		C259		*	C93-0690-05	CHIP C 13PF 500WV	
C148			CK73GB1H102K	CHIP C 1000PF K		C261			CC73GCH1H221J	CHIP C 220PF J	
C149			CC73FCH1H020B	CHIP C 2.0PF B		C262-264			CC73GCH1H820J	CHIP C 82PF J	
C150			CK73GB1H221K	CHIP C 220PF K		C265		*	C93-0690-05	CHIP C 13PF 500WV	

PARTS LIST

TX-RX UNIT (X57-6142-71) : K,E

Ref. No.	Address	New parts	Parts No.	Description	Desti-nation	Ref. No.	Address	New parts	Parts No.	Description	Desti-nation
C266			CC73GCH1H150J	CHIP C 15PF J		C525			CK73GB1H103K	CHIP C 0.010UF K	
C267			CC73GCH1H220J	CHIP C 22PF J		C526			CK73GB1C104K	CHIP C 0.10UF K	
C271			CC73GCH1H820J	CHIP C 82PF J		C527			CK73GB1C683K	CHIP C 0.068UF K	
C272			CC73GCH1H470J	CHIP C 47PF J		C528			CK73GB1H102K	CHIP C 1000PF K	
C273			CC73GCH1H820J	CHIP C 82PF J		C529			CK73GB1H562J	CHIP C 5600PF J	
C274			CC73GCH1H470J	CHIP C 47PF J		C531			CK73GB1H562J	CHIP C 5600PF J	
C277-282			CC73GCH1H470J	CHIP C 47PF J		C533			CK73GB1H562J	CHIP C 5600PF J	
C286			CC73GCH1H470J	CHIP C 47PF J		C535			CK73GB1H102K	CHIP C 1000PF K	
C288			CC73GCH1H270J	CHIP C 27PF J		C536			CC73GCH1H030C	CHIP C 3.0PF C	
C289			CC73GCH1H101J	CHIP C 100PF J		C537			CK73GB1H272K	CHIP C 2700PF K	
C290			CC73GCH1H270J	CHIP C 27PF J		C539			CK73GB1H272K	CHIP C 2700PF K	
C292-296			CC73GCH1H820J	CHIP C 82PF J		C540			CC73GCH1H271J	CHIP C 270PF J	
C297			CC73GCH1H150J	CHIP C 15PF J		C541			CC73GCH1H100D	CHIP C 10PF D	
C298			CC73GCH1H100D	CHIP C 10PF D		C542			CC73GCH1H271J	CHIP C 270PF J	
C299			CC73GCH1H150J	CHIP C 15PF J		C543			CK73GB1H272K	CHIP C 2700PF K	
C303			C92-0565-05	CHIP-TAN 6.8UF 10WV		C544			CC73GCH1H030C	CHIP C 3.0PF C	
C304-306			CK73GB1H102K	CHIP C 1000PF K		C545			CK73GB1H102K	CHIP C 1000PF K	
C307			CC73GCH1H180J	CHIP C 18PF J		C546			CK73GB1H122K	CHIP C 1200PF K	
C309			CC73GCH1H270J	CHIP C 27PF J		C547			CK73GB1H102K	CHIP C 1000PF K	
C311			CC73GCH1H180J	CHIP C 18PF J		C548			C92-0566-05	CHIP-TAN 10UF 6.3WV	
C312			CC73GCH1H150J	CHIP C 15PF J		C549			CK73GB1C104K	CHIP C 0.10UF K	
C313			CK73GB1H103K	CHIP C 0.010UF K		C550			CC73GCH1H101J	CHIP C 100PF J	
C314			C92-0001-05	CHIP C 0.1UF 35WV		C552			CK73GB1C333K	CHIP C 0.033UF K	
C315,316			CK73GB1C104K	CHIP C 0.10UF K		C553			CK73GB1H472K	CHIP C 4700PF K	
C317			CK73GB1H102K	CHIP C 1000PF K		C554-558			CK73GB1C104K	CHIP C 0.10UF K	
C318,319			CK73GB1C104K	CHIP C 0.10UF K		C559			CK73GB1H102K	CHIP C 1000PF K	
C320			C92-0501-05	CHIP-TAN 1.5UF 10WV		C560			C92-0507-05	CHIP-TAN 4.7UF 6.3WV	
C321			CC73GCH1H150J	CHIP C 15PF J		C561			CK73GB1H102K	CHIP C 1000PF K	
C322			C92-0501-05	CHIP-TAN 1.5UF 10WV		C562,563			CK73GB1H472K	CHIP C 4700PF K	
C324			CK73FB1E104K	CHIP C 0.10UF K		C564			CK73GB1E223K	CHIP C 0.022UF K	
C325			C92-0002-05	CHIP-TAN 0.22UF 35WV		C565			CK73GB1H102K	CHIP C 1000PF K	
C326			CK73FF1C105Z	CHIP C 1.0UF Z		C566			CC73GCH1H101J	CHIP C 100PF J	
C327			CK73FB1E104K	CHIP C 0.10UF K		C567			CK73GB1C473J	CHIP C 0.047UF J	
C401			CK73GB1H102K	CHIP C 1000PF K		C568			C92-0507-05	CHIP-TAN 4.7UF 6.3WV	
C402			C92-0628-05	CHIP-TAN 10UF 10WV		C569			CC73GCH1H470J	CHIP C 47PF J	
C406			CC73FCH1H102J	CHIP C 1000PF J		C570			CK73GB1C104K	CHIP C 0.10UF K	
C407			CC73FCH1H221J	CHIP C 220PF J		C571			CK73GB1H102K	CHIP C 1000PF K	
C408			C92-0628-05	CHIP-TAN 10UF 10WV		C572			CK73FB1H563K	CHIP C 0.056UF K	
C409			CC73GCH1H050C	CHIP C 5.0PF C		C574			CK73GB1C104K	CHIP C 0.10UF K	
C410			CC73GCH1H100D	CHIP C 10PF D		C575			CK73FB1C334K	CHIP C 0.33UF K	
C501			CK73GB1H471K	CHIP C 470PF K		C576			CK73GB1C473K	CHIP C 0.047UF K	
C502			CC73GCH1H221J	CHIP C 220PF J		C577			CK73GB1C104K	CHIP C 0.10UF K	
C503,504			CK73GB1H471K	CHIP C 470PF K		C578			CK73GB1H103K	CHIP C 0.010UF K	
C505			CK73GB1C683K	CHIP C 0.068UF K		C579			CK73GB1H472K	CHIP C 4700PF K	
C506			CK73GB1E123K	CHIP C 0.012UF K		C580			CK73GB1H102K	CHIP C 1000PF K	
C508			CK73GB1C104K	CHIP C 0.10UF K		C581,582			CK73GB1H103K	CHIP C 0.010UF K	
C509			CK73GB1H222K	CHIP C 2200PF K		C583			CK73GB1H102K	CHIP C 1000PF K	
C510			C92-0507-05	CHIP-TAN 4.7UF 6.3WV		C584			CK73GB1H471K	CHIP C 470PF K	
C511			CK73GB1H103K	CHIP C 0.010UF K		C592			CK73GB1H102K	CHIP C 1000PF K	
C512			CK73GB1H471K	CHIP C 470PF K		C593			CK73GB1H103K	CHIP C 0.010UF K	
C513			CK73GB1H102K	CHIP C 1000PF K		C594,595			CC73GCH1H270J	CHIP C 27PF J	
C514			CK73GB1H152K	CHIP C 1500PF K		C596			CC73GCH1H680J	CHIP C 68PF J	
C515			CK73GB1C104K	CHIP C 0.10UF K		C597			CK73GB1H103K	CHIP C 0.010UF K	
C516,517			CK73GB1H103K	CHIP C 0.010UF K		C598,599			CC73GCH1H101J	CHIP C 100PF J	
C518			CK73GB1H102K	CHIP C 1000PF K		C600,601			CK73GB1H102K	CHIP C 1000PF K	
C519			C92-0507-05	CHIP-TAN 4.7UF 6.3WV		C602			CK73GB1H103K	CHIP C 0.010UF K	
C520			CC73GCH1H221J	CHIP C 220PF J		C603			CK73GB1C104K	CHIP C 0.10UF K	
C521,522			CK73GB1C104K	CHIP C 0.10UF K		C604			C92-0566-05	CHIP-TAN 10UF 6.3WV	
C523			CK73GB1H103K	CHIP C 0.010UF K		C605			CK73GB1H102K	CHIP C 1000PF K	
C524			CK73GB1C104K	CHIP C 0.10UF K		C606			CK73GB1H122K	CHIP C 1200PF K	

PARTS LIST

TX-RX UNIT (X57-6142-71) : K,E

Ref. No.	Address	New parts	Parts No.	Description	Destination	Ref. No.	Address	New parts	Parts No.	Description	Destination
C607			CK73GB1H103K	CHIP C 0.010UF K		L220			L40-1888-67	SMALL FIXED INDUCTOR (180NH)	
C608			CK73GB1H392K	CHIP C 3900PF K		L221			L40-2278-67	SMALL FIXED INDUCTOR (22NH)	
C609,610			CK73GB1H103K	CHIP C 0.010UF K		L222			L40-6878-67	SMALL FIXED INDUCTOR (68NH)	
C613			C92-0606-05	CHIP-TAN 4.7UF 10WV		L223			L40-3378-67	SMALL FIXED INDUCTOR (33NH)	
C614			CK73GB1H102K	CHIP C 1000PF K		L225			L92-0193-05	FERRITE CHIP	
C616			CK73GB1H102K	CHIP C 1000PF K		L226			L92-0155-05	FERRITE CHIP	
C617			CC73GCH1H101J	CHIP C 100PF J		L227			L40-1878-67	SMALL FIXED INDUCTOR (18NH)	
C620			CC73GCH1H101J	CHIP C 100PF J		L230			L40-4775-92	SMALL FIXED INDUCTOR (47NH)	
C622,623			CK73GB1H102K	CHIP C 1000PF K		L300,301			L40-3371-36	SMALL FIXED INDUCTOR (33NH)	
C624			CC73GCH1H101J	CHIP C 100PF J		L302			L40-1005-34	SMALL FIXED INDUCTOR (10UH)	
C625			CK73GB1H102K	CHIP C 1000PF K		L303			L40-4775-34	SMALL FIXED INDUCTOR (47NH)	
C626			CC73GCH1H101J	CHIP C 100PF J		L501-508			L92-0138-05	FERRITE CHIP	
C627			CK73GB1H102K	CHIP C 1000PF K		X1			L77-1777-05	TCXO (16.8M)	
C628			CC73GCH1H101J	CHIP C 100PF J		X2			L77-1762-05	CRYSTAL RESONATOR (44.395MHZ)	
C630			CK73GB1H102K	CHIP C 1000PF K		X501			L77-1708-05	CRYSTAL RESONATOR (3.579545MHZ)	
C631-634			CC73GCH1H101J	CHIP C 100PF J		X502			L78-0462-05	RESONATOR (9.8304M)	
C710			CK73GB1C104K	CHIP C 0.10UF K		XF1			L71-0583-05	MCF (3.75KHZ)	
C711,712			CK73GB1H222K	CHIP C 2200PF K							
C713			CK73GB1H102K	CHIP C 1000PF K		CP501			R90-0724-05	MULTI-COMP 1K X4	
C714			CC73GCH1H331J	CHIP C 330PF J		R1			RK73GB1J102J	CHIP R 1.0K J 1/16W	
C715			CK73GB1H102K	CHIP C 1000PF K		R2			R92-1252-05	CHIP R 0 OHM	
C718			C92-0606-05	CHIP-TAN 4.7UF 10WV		R3,4			RK73GB1J102J	CHIP R 1.0K J 1/16W	
C720			CC73GCH1H470J	CHIP C 47PF J		R6,7			R92-1252-05	CHIP R 0 OHM	
C721-723			CC73GCH1H221J	CHIP C 220PF J		R8			RK73GB1J102J	CHIP R 1.0K J 1/16W	
C724			CK73GB1H682K	CHIP C 6800PF K		R9			R92-1252-05	CHIP R 0 OHM	
C726			CK73GB1C104K	CHIP C 0.10UF K		R10,11			RK73GB1J102J	CHIP R 1.0K J 1/16W	
C728		*	C92-0772-05	CHIP-TAN 10.0UF 6.3WV		R12			R92-1252-05	CHIP R 0 OHM	
CN1			E40-5737-05	PIN ASSY 3P		R14			RK73GB1J473J	CHIP R 47K J 1/16W	
CN2			E40-5738-05	PIN ASSY 3P		R15			RK73GB1J103J	CHIP R 10K J 1/16W	
CN3			E40-3247-05	PIN ASSY 3P		R16			RK73GB1J104J	CHIP R 100K J 1/16W	
CN4			E40-5738-05	PIN ASSY 3P		R17,18			R92-1252-05	CHIP R 0 OHM	
CN5			E40-3247-05	PIN ASSY 3P		R19			RK73GB1J153J	CHIP R 15K J 1/16W	
CN6			E40-3246-05	PIN ASSY 2P		R20			RK73GB1J104J	CHIP R 100K J 1/16W	
CN7			E40-5982-05	FLAT CABLE CONNECTOR		R21			RK73GB1J563J	CHIP R 56K J 1/16W	
CN501			E40-5823-05	FLAT CABLE CONNECTOR		R22			RK73GB1J104J	CHIP R 100K J 1/16W	
CN502			E40-5982-05	FLAT CABLE CONNECTOR		R23			RK73GB1J184J	CHIP R 180K J 1/16W	
J1	2C		E11-0442-05	3.5D PHONE JACK (3P)		R25			RK73GB1J394J	CHIP R 390K J 1/16W	
J501	1B		E08-0877-05	MODULAR JACK		R26			RK73GB1J104J	CHIP R 100K J 1/16W	
-			J31-0543-05	COLLAR (LH-5-1.5)		R27			RK73GB1J473J	CHIP R 47K J 1/16W	
CF2			L72-0376-05	CERAMIC FILTER		R28			R92-1252-05	CHIP R 0 OHM	
L1			L40-1005-34	SMALL FIXED INDUCTOR (10UH)		R29			RK73GB1J220J	CHIP R 22 J 1/16W	
L2			L92-0138-05	FERRITE CHIP		R30,31			RK73GB1J104J	CHIP R 100K J 1/16W	
L3			L40-8275-44	SMALL FIXED INDUCTOR (82.0NH)		R32			RK73GB1J474J	CHIP R 470K J 1/16W	
L4			L40-8272-37	SMALL FIXED INDUCTOR (0.082UH)		R33			RK73GB1J153J	CHIP R 15K J 1/16W	
L5			L40-1092-34	SMALL FIXED INDUCTOR		R34			R92-1252-05	CHIP R 0 OHM	
L6			L34-4459-05	COIL		R35			RK73GB1J223J	CHIP R 22K J 1/16W	
L7			L40-3975-92	SMALL FIXED INDUCTOR (39NH)		R36			RK73GB1J103J	CHIP R 10K J 1/16W	
L10			L40-1091-37	SMALL FIXED INDUCTOR (1.000UH)		R37			R92-1252-05	CHIP R 0 OHM	
L14			L92-0191-05	FERRITE CHIP		R39			RK73GB1J101J	CHIP R 100 J 1/16W	
L202-204			L34-4640-05	COIL		R40			RK73GB1J103J	CHIP R 10K J 1/16W	
L207-209			L39-1272-05	TOROIDAL COIL		R41			RK73GB1J122J	CHIP R 1.2K J 1/16W	
L211,212			L40-3971-34	SMALL FIXED INDUCTOR (39NH)		R42			RK73GB1J104J	CHIP R 100K J 1/16W	
L213			L34-4478-05	AIR-CORE COIL		R44			RK73GB1J473J	CHIP R 47K J 1/16W	
L214			L34-4480-05	AIR-CORE COIL		R45			RK73GB1J104J	CHIP R 100K J 1/16W	
L215			L34-0499-05	AIR-CORE COIL		R46			RK73GB1J103J	CHIP R 10K J 1/16W	
L216			L34-4482-05	AIR-CORE COIL		R47			RK73GB1J473J	CHIP R 47K J 1/16W	
L217,218			L34-0499-05	AIR-CORE COIL		R48			RK73GB1J122J	CHIP R 1.2K J 1/16W	
L219			L40-2778-67	SMALL FIXED INDUCTOR (27NH)		R49			RK73GB1J102J	CHIP R 1.0K J 1/16W	
						R50			RK73GB1J103J	CHIP R 10K J 1/16W	
						R52			R92-1252-05	CHIP R 0 OHM	

PARTS LIST

TX-RX UNIT (X57-6142-71) : K,E

Ref. No.	Address	New parts	Parts No.	Description	Destination	Ref. No.	Address	New parts	Parts No.	Description	Destination
R55			RK73GB1J153J	CHIP R 15K J 1/16W		R144			RK73GB1J223J	CHIP R 22K J 1/16W	
R56			RK73GB1J103J	CHIP R 10K J 1/16W		R145			RK73GB1J104J	CHIP R 100K J 1/16W	
R57			RK73GB1J473J	CHIP R 47K J 1/16W		R146			R92-1215-05	CHIP R 470 J 1/2W	
R58			RK73GB1J102J	CHIP R 1.0K J 1/16W		R147			RK73FB2A563J	CHIP R 56K J 1/10W	
R59			R92-1252-05	CHIP R 0 OHM		R148			RK73FB2A472J	CHIP R 4.7K J 1/10W	
R60			RK73GB1J472J	CHIP R 4.7K J 1/16W		R149			RK73FB2A333J	CHIP R 33K J 1/10W	
R61			RK73GB1J223J	CHIP R 22K J 1/16W		R150			R92-0670-05	CHIP R 0 OHM	
R62			RK73GB1J101J	CHIP R 100 J 1/16W		R151-153			R92-1252-05	CHIP R 0 OHM	
R63			R92-1252-05	CHIP R 0 OHM		R154			RK73GB1J103J	CHIP R 10K J 1/16W	
R65			R92-1252-05	CHIP R 0 OHM		R155			RK73GB1J333J	CHIP R 33K J 1/16W	
R66			RK73GB1J103J	CHIP R 10K J 1/16W		R156			RK73GB1J471J	CHIP R 470 J 1/16W	
R67			RK73GB1J101J	CHIP R 100 J 1/16W		R157			RK73GB1J101J	CHIP R 100 J 1/16W	
R68			RK73GB1J390J	CHIP R 39 J 1/16W		R158			RK73GB1J473J	CHIP R 47K J 1/16W	
R69			RK73GB1J102J	CHIP R 1.0K J 1/16W		R161			RK73GB1J474J	CHIP R 470K J 1/16W	
R70-73			R92-1252-05	CHIP R 0 OHM		R162,163			RK73FB2A103J	CHIP R 10K J 1/10W	
R74			RK73GB1J473J	CHIP R 47K J 1/16W		R164			RK73GB1J122J	CHIP R 1.2K J 1/16W	
R75			RK73GB1J102J	CHIP R 1.0K J 1/16W		R165			R92-1252-05	CHIP R 0 OHM	
R76			RK73GB1J153J	CHIP R 15K J 1/16W		R168			R92-1252-05	CHIP R 0 OHM	
R77			RK73GB1J333J	CHIP R 33K J 1/16W		R169			RK73GB1J474J	CHIP R 470K J 1/16W	
R78			RK73GB1J561J	CHIP R 560 J 1/16W		R170			R92-0670-05	CHIP R 0 OHM	
R80			RK73GB1J473J	CHIP R 47K J 1/16W		R171			RK73GB1J3R3J	CHIP R 3.3 J 1/16W	
R85			RK73GB1J102J	CHIP R 1.0K J 1/16W		R172			RK73GB1J561J	CHIP R 560 J 1/16W	
R86			R92-1252-05	CHIP R 0 OHM		R173			RK73GB1J221J	CHIP R 220 J 1/16W	
R89			R92-1252-05	CHIP R 0 OHM		R174			R92-1252-05	CHIP R 0 OHM	
R90			RK73GB1J2R2J	CHIP R 2.2 J 1/16W		R176			R92-0670-05	CHIP R 0 OHM	
R91			RK73GB1J472J	CHIP R 4.7K J 1/16W		R179,180			R92-1252-05	CHIP R 0 OHM	
R94			R92-1252-05	CHIP R 0 OHM		R201			R92-1252-05	CHIP R 0 OHM	
R96			RK73GB1J221J	CHIP R 220 J 1/16W		R209			R92-1252-05	CHIP R 0 OHM	
R97,98			RK73GB1J473J	CHIP R 47K J 1/16W		R211			RK73GB1J472J	CHIP R 4.7K J 1/16W	
R99			RK73GB1J152J	CHIP R 1.5K J 1/16W		R212			RK73GB1J272J	CHIP R 2.7K J 1/16W	
R104			R92-1252-05	CHIP R 0 OHM		R213			RK73GB1J150J	CHIP R 15 J 1/16W	
R106			R92-1252-05	CHIP R 0 OHM		R214			RK73GB1J272J	CHIP R 2.7K J 1/16W	
R107			RK73GB1J473J	CHIP R 47K J 1/16W		R215			RK73GB1J104J	CHIP R 100K J 1/16W	
R109			R92-0670-05	CHIP R 0 OHM		R217			RK73GB1J470J	CHIP R 47 J 1/16W	
R110			RK73GB1J470J	CHIP R 47 J 1/16W		R218-220			RK73GB1J104J	CHIP R 100K J 1/16W	
R111			RK73GB1J331J	CHIP R 330 J 1/16W		R221			RK73GB1J274J	CHIP R 270K J 1/16W	
R112			RK73GB1J473J	CHIP R 47K J 1/16W		R222			R92-1252-05	CHIP R 0 OHM	
R113			RK73GB1J472J	CHIP R 4.7K J 1/16W		R223			RK73GB1J104J	CHIP R 100K J 1/16W	
R114			RK73GB1J392J	CHIP R 3.9K J 1/16W		R224			R92-1252-05	CHIP R 0 OHM	
R116			RK73GB1J473J	CHIP R 47K J 1/16W		R225			RK73GB1J470J	CHIP R 47 J 1/16W	
R119			RK73GB1J103J	CHIP R 10K J 1/16W		R226			RK73GB1J472J	CHIP R 4.7K J 1/16W	
R120,121			RK73GB1J472J	CHIP R 4.7K J 1/16W		R228			RK73GB1J271J	CHIP R 270 J 1/16W	
R122			RK73GB1J392J	CHIP R 3.9K J 1/16W		R229			RK73GB1J102J	CHIP R 1.0K J 1/16W	
R123			RK73GB1J153J	CHIP R 15K J 1/16W		R230			RK73GB1J180J	CHIP R 18 J 1/16W	
R124-126			RK73GB1J223J	CHIP R 22K J 1/16W		R231			RK73GB1J271J	CHIP R 270 J 1/16W	
R127			RK73FB2A153J	CHIP R 15K J 1/10W		R232			RK73GB1J222J	CHIP R 2.2K J 1/16W	
R128			RK73GB1J223J	CHIP R 22K J 1/16W		R233			RK73GB1J103J	CHIP R 10K J 1/16W	
R129			RK73GB1J220J	CHIP R 22 J 1/16W		R234			RK73GB1J100J	CHIP R 10 J 1/16W	
R130,131			RK73GB1J223J	CHIP R 22K J 1/16W		R236			R92-1252-05	CHIP R 0 OHM	
R132			RK73GB1J104J	CHIP R 100K J 1/16W		R237			RK73GB1J101J	CHIP R 100 J 1/16W	
R133			RK73GB1J153J	CHIP R 15K J 1/16W		R238			RK73GB1J152J	CHIP R 1.5K J 1/16W	
R134			RK73GB1J473J	CHIP R 47K J 1/16W		R239			RK73FB2A100J	CHIP R 10 J 1/10W	
R135			R92-1261-05	CHIP R 150 J 1/2W		R240			R92-0685-05	CHIP R 22 J 1/2W	
R137			RK73GB1J473J	CHIP R 47K J 1/16W		R246			RK73GB1J182J	CHIP R 1.8K J 1/16W	
R138			RK73FB2A100J	CHIP R 10 J 1/10W		R247			RK73GB1J2R7J	CHIP R 2.7 J 1/16W	
R139			R92-0670-05	CHIP R 0 OHM		R248			RK73GB1J182J	CHIP R 1.8K J 1/16W	
R140			R92-1252-05	CHIP R 0 OHM		R249			RK73FB2A471J	CHIP R 470 J 1/10W	
R141			RK73GB1J104J	CHIP R 100K J 1/16W		R250			RK73FB2A120J	CHIP R 12 J 1/10W	
R142			R92-0699-05	CHIP R 10 J 1/2W		R251			RK73FB2A471J	CHIP R 470 J 1/10W	
R143			RK73GB1J102J	CHIP R 1.0K J 1/16W		R300-303			RK73GB1J470J	CHIP R 47 J 1/16W	

PARTS LIST

TX-RX UNIT (X57-6142-71) : K,E

Ref. No.	Address	New parts	Parts No.	Description	Destination	Ref. No.	Address	New parts	Parts No.	Description	Destination
R304			R92-1252-05	CHIP R 0 OHM		R535			RK73GB1J155J	CHIP R 1.5M J 1/16W	
R305			RK73GB1J103J	CHIP R 10K J 1/16W		R536			RN73GH1J682D	CHIP R 6.8K D 1/16W	
R306			RK73GB1J271J	CHIP R 270 J 1/16W		R537,538			RK73GB1J473J	CHIP R 47K J 1/16W	
R307			R92-1252-05	CHIP R 0 OHM		R540			RK73GB1J474J	CHIP R 470K J 1/16W	
R308			RK73GB1J101J	CHIP R 100 J 1/16W		R541			RK73GB1J274J	CHIP R 270K J 1/16W	
R309			RK73GB1J563J	CHIP R 56K J 1/16W		R542			RN73GH1J683D	CHIP R 68K D 1/16W	
R310			RK73GB1J103J	CHIP R 10K J 1/16W		R544			RK73GB1J101J	CHIP R 100 J 1/16W	
R311			RK73GB1J271J	CHIP R 270 J 1/16W		R545			RK73GB1J182J	CHIP R 1.8K J 1/16W	
R312			RK73GB1J152J	CHIP R 1.5K J 1/16W		R546			RK73GB1J224J	CHIP R 220K J 1/16W	
R313			RK73GB1J103J	CHIP R 10K J 1/16W		R547			RK73GB1J103J	CHIP R 10K J 1/16W	
R314			RK73GB1J273J	CHIP R 27K J 1/16W		R548			RK73GB1J183J	CHIP R 18K J 1/16W	
R315			RK73GB1J472J	CHIP R 4.7K J 1/16W		R550			RN73GH1J682D	CHIP R 6.8K D 1/16W	
R316,317			R92-1252-05	CHIP R 0 OHM		R551			RK73GB1J223J	CHIP R 22K J 1/16W	
R318			RK73GB1J271J	CHIP R 270 J 1/16W		R552			RK73GB1J334J	CHIP R 330K J 1/16W	
R319			RK73GB1J102J	CHIP R 1.0K J 1/16W		R553			RK73GB1J102J	CHIP R 1.0K J 1/16W	
R320			R92-1252-05	CHIP R 0 OHM		R554			RK73GB1J332J	CHIP R 3.3K J 1/16W	
R323,324			R92-1252-05	CHIP R 0 OHM		R555			RK73GB1J394J	CHIP R 390K J 1/16W	
R401			RK73GB1J103J	CHIP R 10K J 1/16W		R556			RK73GB1J223J	CHIP R 22K J 1/16W	
R402			RK73GB1J153J	CHIP R 15K J 1/16W		R558			R92-1252-05	CHIP R 0 OHM	
R403			RK73GB1J122J	CHIP R 1.2K J 1/16W		R562			RK73GB1J273J	CHIP R 27K J 1/16W	
R404			RK73GB1J473J	CHIP R 47K J 1/16W		R564			R92-1252-05	CHIP R 0 OHM	
R405			R92-1252-05	CHIP R 0 OHM		R566			RK73GB1J470J	CHIP R 47 J 1/16W	
R406			RK73GB1J124J	CHIP R 120K J 1/16W		R567			RK73GB1J220J	CHIP R 22 J 1/16W	
R408			R92-1252-05	CHIP R 0 OHM		R568			RK73GB1J473J	CHIP R 47K J 1/16W	
R411			RK73GB1J472J	CHIP R 4.7K J 1/16W		R569			RK73GB1J333J	CHIP R 33K J 1/16W	
R413			RK73GB1J473J	CHIP R 47K J 1/16W		R571,572			R92-1252-05	CHIP R 0 OHM	
R414			R92-1252-05	CHIP R 0 OHM		R573			RK73GB1J104J	CHIP R 100K J 1/16W	
R420			RK73GB1J470J	CHIP R 47 J 1/16W		R574			RK73GB1J473J	CHIP R 47K J 1/16W	
R501			RK73GB1J472J	CHIP R 4.7K J 1/16W		R575			RK73GB1J103J	CHIP R 10K J 1/16W	
R502			RK73GB1J184J	CHIP R 180K J 1/16W		R576			RK73GB1J473J	CHIP R 47K J 1/16W	
R503			RK73GB1J223J	CHIP R 22K J 1/16W		R577			RK73GB1J153J	CHIP R 15K J 1/16W	
R504			RK73GB1J184J	CHIP R 180K J 1/16W		R579			R92-1252-05	CHIP R 0 OHM	
R505			RK73GB1J102J	CHIP R 1.0K J 1/16W		R580			RK73GB1J103J	CHIP R 10K J 1/16W	
R506			R92-1252-05	CHIP R 0 OHM		R581			RK73GB1J472J	CHIP R 4.7K J 1/16W	
R507,508			RK73GB1J154J	CHIP R 150K J 1/16W		R582			R92-1252-05	CHIP R 0 OHM	
R509			RK73GB1J103J	CHIP R 10K J 1/16W		R584			R92-1252-05	CHIP R 0 OHM	
R510			RK73GB1J105J	CHIP R 1.0M J 1/16W		R585,586			RK73GB1J473J	CHIP R 47K J 1/16W	
R511			RK73GB1J102J	CHIP R 1.0K J 1/16W		R587			R92-1252-05	CHIP R 0 OHM	
R512			RK73GB1J681J	CHIP R 680 J 1/16W		R588			RK73GB1J473J	CHIP R 47K J 1/16W	
R513			R92-1252-05	CHIP R 0 OHM		R589			R92-1368-05	CHIP R 0 OHM	
R514			RK73GB1J102J	CHIP R 1.0K J 1/16W		R590-600			RK73HB1J102J	CHIP R 1.0K J 1/16W	
R515			RN73GH1J913D	CHIP R 91K D 1/16W		R601-603			R92-1368-05	CHIP R 0 OHM	
R516			RK73GB1J102J	CHIP R 1.0K J 1/16W		R608-610			RK73HB1J102J	CHIP R 1.0K J 1/16W	
R517			RK73GB1J103J	CHIP R 10K J 1/16W		R611			R92-1252-05	CHIP R 0 OHM	
R518			RN73GH1J333D	CHIP R 33K D 1/16W		R612			RK73GB1J224J	CHIP R 220K J 1/16W	
R519			RN73GH1J913D	CHIP R 91K D 1/16W		R613			RK73HB1J102J	CHIP R 1.0K J 1/16W	
R520			RN73GH1J683D	CHIP R 68K D 1/16W		R614			R92-1252-05	CHIP R 0 OHM	
R521			RK73GB1J105J	CHIP R 1.0M J 1/16W		R615			RK73HB1J102J	CHIP R 1.0K J 1/16W	
R522			RN73GH1J913D	CHIP R 91K D 1/16W		R616			RK73GB1J473J	CHIP R 47K J 1/16W	
R523			RK73GB1J154J	CHIP R 150K J 1/16W		R617,618			RK73HB1J102J	CHIP R 1.0K J 1/16W	
R524			RN73GH1J274D	CHIP R 270K D 1/16W		R619			R92-1252-05	CHIP R 0 OHM	
R525			RK73GB1J823J	CHIP R 82K J 1/16W		R620			RK73HB1J102J	CHIP R 1.0K J 1/16W	
R526			RK73GB1J104J	CHIP R 100K J 1/16W		R621			R92-1252-05	CHIP R 0 OHM	
R527			RK73GB1J103J	CHIP R 10K J 1/16W		R622,623			RK73HB1J102J	CHIP R 1.0K J 1/16W	
R528			RK73GB1J153J	CHIP R 15K J 1/16W		R624			R92-1252-05	CHIP R 0 OHM	
R529			R92-1252-05	CHIP R 0 OHM		R625-627			RK73HB1J102J	CHIP R 1.0K J 1/16W	
R530			RK73GB1J394J	CHIP R 390K J 1/16W		R628,629			R92-1368-05	CHIP R 0 OHM	
R531			RK73GB1J473J	CHIP R 47K J 1/16W		R630			RK73HB1J102J	CHIP R 1.0K J 1/16W	
R532			RK73GB1J394J	CHIP R 390K J 1/16W		R631			R92-1368-05	CHIP R 0 OHM	
R533			R92-1252-05	CHIP R 0 OHM		R632			RK73HB1J102J	CHIP R 1.0K J 1/16W	

PARTS LIST

TX-RX UNIT (X57-6142-71) : K,E

Ref. No.	Address	New parts	Parts No.	Description	Desti-nation	Ref. No.	Address	New parts	Parts No.	Description	Desti-nation
R633			R92-1368-05	CHIP R 0 OHM		D17			DA204U	DIODE	
R634			RK73HB1J102J	CHIP R 1.0K J 1/16W		D17			HSB123	DIODE	
R635			R92-1368-05	CHIP R 0 OHM		D20			1SS355	DIODE	
R636,637			RK73HB1J102J	CHIP R 1.0K J 1/16W		D21			02DZ5.6(X,Y)	ZENER DIODE	
R638			R92-1368-05	CHIP R 0 OHM		D22,23			DAN235E	DIODE	
R639			RK73HB1J102J	CHIP R 1.0K J 1/16W		D24			MINISMDC075-02	VARIATOR	
R640			R92-1368-05	CHIP R 0 OHM		D26			1SS355	DIODE	
R641			RK73HB1J102J	CHIP R 1.0K J 1/16W		D27			HSM88AS	DIODE	
R642			R92-1368-05	CHIP R 0 OHM		D28			02DZ15(X,Y)	ZENER DIODE	
R643			RK73HB1J102J	CHIP R 1.0K J 1/16W		D30			HSM88AS	DIODE	
R644			R92-1368-05	CHIP R 0 OHM		D31			1SS355	DIODE	
R645			RK73GB1J472J	CHIP R 4.7K J 1/16W		D32			22ZR-10D	SURGE ABSORBER	
R646,647			RK73HB1J102J	CHIP R 1.0K J 1/16W		D34			02DZ18(X,Y)	ZENER DIODE	
R649			RK73HB1J102J	CHIP R 1.0K J 1/16W		D35			MA742	DIODE	
R650-652			R92-1368-05	CHIP R 0 OHM		D37			DSA3A1	DIODE	
R653,654			RK73HB1J102J	CHIP R 1.0K J 1/16W		D206-208			1SV282	VARIABLE CAPACITANCE DIODE	
R655-657			R92-1368-05	CHIP R 0 OHM		D209,210			HSB123	DIODE	
R658			RK73HB1J472J	CHIP R 4.7K J 1/16W		D211			MA4PH633	DIODE	
R659-666			R92-1368-05	CHIP R 0 OHM		D212			XB15A709	DIODE	
R667,668			RK73GB1J181J	CHIP R 180 J 1/16W		D501			DA204U	DIODE	
R670			RK73GB1J473J	CHIP R 47K J 1/16W		D501			HSB123	DIODE	
R672,673			RK73GB1J473J	CHIP R 47K J 1/16W		D502			MINISMDC075-02	VARIATOR	
R674			RK73FB2A222J	CHIP R 2.2K J 1/10W		D503-505			DA204U	DIODE	
R675			RK73GB1J473J	CHIP R 47K J 1/16W		D503-505			HSB123	DIODE	
R676			RK73GB1J103J	CHIP R 10K J 1/16W		D507			DAN202U	DIODE	
R677			RK73GB1J223J	CHIP R 22K J 1/16W		D508,509			MA742	DIODE	
R678			RK73GB1J103J	CHIP R 10K J 1/16W		D510			HSC119	DIODE	
R679			RK73FB2A390J	CHIP R 39 J 1/10W		D518			02DZ9.1(X,Y)	ZENER DIODE	
R680			RK73FB2A222J	CHIP R 2.2K J 1/10W		D520			MAZS111	DIODE	
R682			RK73GB1J473J	CHIP R 47K J 1/16W		IC1			TA75W01FU	MOS IC	
R683			RK73GB1J103J	CHIP R 10K J 1/16W		IC2,3			TA75W558FU	MOS IC	
R701			RK73GB1J102J	CHIP R 1.0K J 1/16W		IC4			TC4S66F	MOS IC	
R702			RK73GB1J101J	CHIP R 100 J 1/16W		IC5			M62363FP	MOS IC	
R705,706			RK73GB1J473J	CHIP R 47K J 1/16W		IC6			TA75W01FU	MOS IC	
R710,711			RK73GB1J104J	CHIP R 100K J 1/16W		IC7,8			BU4094BCFV	MOS IC	
R712,713			RK73GB1J473J	CHIP R 47K J 1/16W		IC9			TA78L05F	MOS IC	
R714			RK73GB1J103J	CHIP R 10K J 1/16W		IC10			LA4422	BI-POLAR IC	
R716			RK73GB1J472J	CHIP R 4.7K J 1/16W		IC11			TA31136FN	MOS IC	
R718			RK73GB1J154J	CHIP R 150K J 1/16W		IC12			TA78L05F	MOS IC	
R719			RK73GB1J103J	CHIP R 10K J 1/16W		IC13			AN8009M	MOS IC	
R720			RK73GB1J683J	CHIP R 68K J 1/16W		IC14			TA7808S	MOS IC	
R721			RK73GB1J334J	CHIP R 330K J 1/16W		IC15			TC4013BF(N)	MOS IC	
R722			RK73FB2A680J	CHIP R 68 J 1/10W		IC201			LMC7101BIM5	MOS IC	
R723			R92-1252-05	CHIP R 0 OHM		IC202			GN2011(Q)	MOS IC	
R724			RK73GB1J562J	CHIP R 5.6K J 1/16W		IC300			SA7025DK	MOS IC	
R725			RK73GB1J392J	CHIP R 3.9K J 1/16W		IC400	1C	*	M68729	POWER MODULE	
R726			R92-1252-05	CHIP R 0 OHM		IC401			NJM2904V	MOS IC	
R727			RK73GB1J472J	CHIP R 4.7K J 1/16W		IC501			TA75W558FU	MOS IC	
R730			RK73GB1J472J	CHIP R 4.7K J 1/16W		IC502			TC75W51FU	MOS IC	
VR1			R32-0658-05	SEMI FIXED VARIABLE RESISTOR		IC503			TA75W558FU	MOS IC	
D1-6			DA204U	DIODE		IC504			TC35453F	MOS IC	
D1-6			HSB123	DIODE		IC506			BU4066BCFV	MOS IC	
D7			02DZ20(Y,Z)	ZENER DIODE		IC507			LC73872M	MOS IC	
D8,9			DA204U	DIODE		IC508			BU4094BCFV	MOS IC	
D8,9			HSB123	DIODE		IC509			RH5VL42C	MOS IC	
D11			DAN202U	DIODE		IC510			AT29C020-90TI	ROM IC	
D12-14			DA204U	DIODE		IC511			30620M8-394GP	MPU	
D12-14			HSB123	DIODE		IC512			AT2416N10SI2.5	ROM IC	
D15			DAN235E	DIODE		IC513			TA78L05F	MOS IC	
D16			1SS355	DIODE		IC710,711			TA75S01F	MOS IC	

PARTS LIST

TX-RX UNIT (X57-6142-71) : K,E

TX-RX UNIT (X57-6150-21) : M

Ref. No.	Address	New parts	Parts No.	Description	Destination	Ref. No.	Address	New parts	Parts No.	Description	Destination
Q1			2SK1824	FET		C28			CC73GCH1H470J	CHIP C	47PF J
Q2,3			2SC2412K(S)	TRANSISTOR		C29			C92-0628-05	CHIP-TAN	10UF 10WV
Q4			DTD114EK	DIGITAL TRANSISTOR		C30			CK73GB1H102K	CHIP C	1000PF K
Q5,6			DTC114EE	DIGITAL TRANSISTOR		C31			C92-0628-05	CHIP-TAN	10UF 10WV
Q7			2SC4215(Y)	TRANSISTOR		C32			CC73GCH1H220J	CHIP C	22PF J
Q8			DTC363EU	DIGITAL TRANSISTOR		C33			CK73GB1E103K	CHIP C	0.010UF K
Q9			DTA114YUA	DIGITAL TRANSISTOR		C34			C92-0505-05	CHIP-TAN	10UF 16WV
Q10			DTC114EE	DIGITAL TRANSISTOR		C35			CK73GB1E103K	CHIP C	0.010UF K
Q11			2SA1362(Y)	TRANSISTOR		C36			C92-0628-05	CHIP-TAN	10UF 10WV
Q12			2SB1132(Q,R)	TRANSISTOR		C37			C92-1341-05	ELECTRO	100UF 16WV
Q13			DTC114EE	DIGITAL TRANSISTOR		C38			C92-0505-05	CHIP-TAN	10UF 16WV
Q15			2SC2059K(P)	TRANSISTOR		C39			CK73GB1E103K	CHIP C	0.010UF K
Q16			DTC114EE	DIGITAL TRANSISTOR		C40			CK73GB1H102K	CHIP C	1000PF K
Q17			2SC2412K(S)	TRANSISTOR		C41			C92-1341-05	ELECTRO	100UF 16WV
Q18			2SK1824	FET		C42			C92-0546-05	CHIP-TAN	68UF 6.3WV
Q19			2SD2394	TRANSISTOR		C43			CK73GB1E103K	CHIP C	0.010UF K
Q20			2SB1188(Q)	TRANSISTOR		C44			CK73GB1H102K	CHIP C	1000PF K
Q21			FMW1	TRANSISTOR		C45			C92-0507-05	CHIP-TAN	4.7UF 6.3WV
Q22			DTC114EE	DIGITAL TRANSISTOR		C46			C92-0004-05	CHIP-TAN	1.0UF 16WV
Q23			DTA114EE	DIGITAL TRANSISTOR		C47			CK73GB1H102K	CHIP C	1000PF K
Q24			DTC114EE	DIGITAL TRANSISTOR		C48			CK73FF1C105Z	CHIP C	1.0UF Z
Q25,26			DTA114EE	DIGITAL TRANSISTOR		C49			CK73GB1H102K	CHIP C	1000PF K
Q27			2SA1641(S,T)	TRANSISTOR		C51,52			CK73GB1H102K	CHIP C	1000PF K
Q28,29			DTC114EE	DIGITAL TRANSISTOR		C54			CK73GB1C104K	CHIP C	0.10UF K
Q30			DTA114EE	DIGITAL TRANSISTOR		C55			CC73GCH1H180J	CHIP C	18PF J
Q31			DTC114EE	DIGITAL TRANSISTOR		C56			CK73GB1H471K	CHIP C	470PF K
Q32			2SK1824	FET		C57			CK73GB1E103K	CHIP C	0.010UF K
Q202,203			2SC3357	TRANSISTOR		C58			CK73GB1H471K	CHIP C	470PF K
Q204			2SC2954	TRANSISTOR		C59			CK73GB1H102K	CHIP C	1000PF K
Q300			2SC4215(Y)	TRANSISTOR		C60			CK73GB1H471K	CHIP C	470PF K
Q301,302			2SC3722K(S)	TRANSISTOR		C61			CK73GB1E103K	CHIP C	0.010UF K
Q401-403			DTC114EE	DIGITAL TRANSISTOR		C62			CC73GCH1H100D	CHIP C	10PF D
Q501			DTC314TU	DIGITAL TRANSISTOR		C63			CK73FB1E103K	CHIP C	0.010UF K
Q502			DTC114EE	DIGITAL TRANSISTOR		C64			CK73GB1E103K	CHIP C	0.010UF K
Q503			2SC4617(S)	TRANSISTOR		C65			CK73GB1C104K	CHIP C	0.10UF K
Q507			DTC114EE	DIGITAL TRANSISTOR		C66,67			CK73GB1H471K	CHIP C	470PF K
Q508,509			2SC4617(S)	TRANSISTOR		C68			CK73GB1C104K	CHIP C	0.10UF K
Q510			2SC4619	TRANSISTOR		C69			CC73GCH1H151J	CHIP C	150PF J
Q511			DTA1144WE	DIGITAL TRANSISTOR		C70			C92-0719-05	ELECTRO	47UF 25WV
Q512			DTC114EE	DIGITAL TRANSISTOR		C71			CK73GB1C104K	CHIP C	0.10UF K
Q513			2SC2873(Y)	TRANSISTOR		C72,73			CK73GB1H102K	CHIP C	1000PF K
Q515			DTC114EE	DIGITAL TRANSISTOR		C74			C92-0719-05	ELECTRO	47UF 25WV
TX-RX UNIT (X57-6150-21) : M						C75			C92-0044-05	CHIP-ELE	47UF 10WV
D511			B30-2151-05	LED (TX/BUSY)		C76			CK73GB1H102K	CHIP C	1000PF K
D512-517			B30-2171-05	LED		C77			C92-0719-05	ELECTRO	47UF 25WV
C1-15			CK73GB1H102K	CHIP C	1000PF K	C78			CK73GB1E103K	CHIP C	0.010UF K
C16			C92-0507-05	CHIP-TAN	4.7UF 6.3WV	C79			C92-0722-05	ELECTRO	470UF 25WV
C18			C92-0507-05	CHIP-TAN	4.7UF 6.3WV	C80			CK73GB1C104K	CHIP C	0.10UF K
C19			CC73GCH1H100D	CHIP C	10PF D	C84			CC73GCH1H200J	CHIP C	20PF J
C20			CK73GB1E103K	CHIP C	0.010UF K	C88			CK73GB1E103K	CHIP C	0.010UF K
C21,22			CK73GB1H102K	CHIP C	1000PF K	C89			CK73GB1H471K	CHIP C	470PF K
C23			C92-0507-05	CHIP-TAN	4.7UF 6.3WV	C90			CK73GB1H102K	CHIP C	1000PF K
C24			CK73GB1H102K	CHIP C	1000PF K	C91,92			CK73GB1E103K	CHIP C	0.010UF K
C25			C92-0507-05	CHIP-TAN	4.7UF 6.3WV	C93			CK73GB1H102K	CHIP C	1000PF K
C27			CK73GB1H102K	CHIP C	1000PF K	C94			CK73GB1H471K	CHIP C	470PF K
						C96			CC73GCH1H180J	CHIP C	18PF J
						C97			CK73GB1H102K	CHIP C	1000PF K
						C98			CC73GCH1H150J	CHIP C	15PF J
						C99			CK73GB1H102K	CHIP C	1000PF K
						C100			C92-0628-05	CHIP-TAN	10UF 10WV

PARTS LIST

TX-RX UNIT (X57-6150-21) : M

Ref. No.	Address	New parts	Parts No.	Description	Destination	Ref. No.	Address	New parts	Parts No.	Description	Destination
C101			CK73GB1H102K	CHIP C 1000PF K		C208			CC73GCH1H270J	CHIP C 27PF J	
C102			CC73GCH1H270J	CHIP C 27PF J		C209			CC73GCH1H220J	CHIP C 22PF J	
C103			CK73GB1C104K	CHIP C 0.10UF K		C210			CC73GCH1H010C	CHIP C 1.0PF C	
C104			CK73GB1E103K	CHIP C 0.010UF K		C211,212			CK73GB1H471K	CHIP C 470PF K	
C105,106			C92-0516-05	CHIP-TAN 4.7UF 16WV		C213			CC73GCH1H010C	CHIP C 1.0PF C	
C107			C92-0628-05	CHIP-TAN 10UF 10WV		C214			CC73GCH1H180J	CHIP C 18PF J	
C108			CK73GB1C104K	CHIP C 0.10UF K		C215			CK73GB1H471K	CHIP C 470PF K	
C109			CK73GB1H471K	CHIP C 470PF K		C216			CK73GB1E103K	CHIP C 0.010UF K	
C111,112			CK73GB1H471K	CHIP C 470PF K		C217			CK73GB1H102K	CHIP C 1000PF K	
C113			CK73GB1E103K	CHIP C 0.010UF K		C218			CK73GB1H471K	CHIP C 470PF K	
C114			C92-0543-05	CHIP-TAN 3.3UF 10WV		C220,221			CK73GB1H471K	CHIP C 470PF K	
C115			CK73GB1H102K	CHIP C 1000PF K		C222,223			CC73GCH1H010C	CHIP C 1.0PF C	
C116			C92-0712-05	CHIP-TAN 22UF 6.3WV		C227			CK73GB1H471K	CHIP C 470PF K	
C117			CK73GB1E103K	CHIP C 0.010UF K		C229			CK73GB1H471K	CHIP C 470PF K	
C118			CK73GB1C104K	CHIP C 0.10UF K		C230,231			CK73GB1C104K	CHIP C 0.10UF K	
C119			C92-0543-05	CHIP-TAN 3.3UF 10WV		C233			CK73GB1E103K	CHIP C 0.010UF K	
C120			CK73GB1H102K	CHIP C 1000PF K		C234			CC73GCH1H220J	CHIP C 22PF J	
C121			C92-0628-05	CHIP-TAN 10UF 10WV		C236			CK73GB1H471K	CHIP C 470PF K	
C123			CK73GB1C104K	CHIP C 0.10UF K		C239-241			CK73GB1E103K	CHIP C 0.010UF K	
C124			CK73FB1E103K	CHIP C 0.010UF K		C243			CK73GB1E103K	CHIP C 0.010UF K	
C125			CK73GB1H471K	CHIP C 470PF K		C244			CK73GB1H471K	CHIP C 470PF K	
C126			CK73GB1C104K	CHIP C 0.10UF K		C245			CC73GCH1H100D	CHIP C 10PF D	
C127			CK73GB1E103K	CHIP C 0.010UF K		C246-250			CK73GB1H471K	CHIP C 470PF K	
C128			CK73FB1H471K	CHIP C 470PF K		C251			CC73GCH1H150J	CHIP C 15PF J	
C129			CK73GB1E103K	CHIP C 0.010UF K		C252			CK73GB1H471K	CHIP C 470PF K	
C130			CK73GB1H102K	CHIP C 1000PF K		C253			CK73FB1H103K	CHIP C 0.010UF K	
C131			CK73GB1H471K	CHIP C 470PF K		C255,256			CK73GB1H471K	CHIP C 470PF K	
C132			CK73GB1C104K	CHIP C 0.10UF K		C257			C92-0719-05	ELECTRO 47UF 25WV	
C134			CK73FB1E224K	CHIP C 0.22UF K		C258			CK73GB1C104K	CHIP C 0.10UF K	
C135			CK73GB1H102K	CHIP C 1000PF K		C260			CK73GB1H471K	CHIP C 470PF K	
C136			CK73FB1E224K	CHIP C 0.22UF K		C261			CK73GB1C104K	CHIP C 0.10UF K	
C137			CK73GB1H471K	CHIP C 470PF K		C262			C92-0719-05	ELECTRO 47UF 25WV	
C138			CC73FCH1HOR5B	CHIP C 0.5PF B		C263			CK73GB1H471K	CHIP C 470PF K	
C139			CC73FCH1H020B	CHIP C 2.0PF B		C264			CK73GB1C104K	CHIP C 0.10UF K	
C140-143			CK73GB1H471K	CHIP C 470PF K		C266			C93-0562-05	CHIP C 15PF J	
C144			CK73GB1H102K	CHIP C 1000PF K		C267			C93-0603-05	CHIP C 1000PF K	
C145,146			CK73GB1H471K	CHIP C 470PF K		C268			CC73FCH1H070D	CHIP C 7.0PF D	
C147			CC73FCH1HOR5B	CHIP C 0.5PF B		C270,271			C93-0550-05	CHIP C 1.0PF C	
C148			CK73GB1H102K	CHIP C 1000PF K		C272			C93-0562-05	CHIP C 15PF J	
C149			CC73FCH1H040B	CHIP C 4.0PF B		C275			CC73GCH1H120J	CHIP C 12PF J	
C150			CC73GCH1H220J	CHIP C 22PF J		C277			CC73GCH1H150J	CHIP C 15PF J	
C151			CK73GB1H102K	CHIP C 1000PF K		C279			CK73GB1E103K	CHIP C 0.010UF K	
C153,154			CK73GB1E103K	CHIP C 0.010UF K		C281			CC73GCH1H150J	CHIP C 15PF J	
C155			CK73GB1H102K	CHIP C 1000PF K		C282,283			CK73GB1H471K	CHIP C 470PF K	
C156,157			CK73GB1E103K	CHIP C 0.010UF K		C284-286			CC73GCH1H101J	CHIP C 100PF J	
C158,159			CC73GCH1H080D	CHIP C 8.0PF D		C287			CK73GB1H471K	CHIP C 470PF K	
C160			CK73GB1C104K	CHIP C 0.10UF K		C290			CC73GCH1H220J	CHIP C 22PF J	
C161			CC73GCH1H101J	CHIP C 100PF J		C292		*	CM73F2H1R5C	CHIP C 1.5PF C	
C162			C92-0585-05	CHIP-TAN 4.7UF 16WV		C293-295			CC73GCH1H220J	CHIP C 22PF J	
C164,165			CK73GB1H471K	CHIP C 470PF K		C296			C92-0555-05	CHIP-TAN 0.047UF 35WV	
C166			CK73GB1C104K	CHIP C 0.10UF K		C298			C93-0553-05	CHIP C 3.0PF C	
C167			CC73GCH1H100D	CHIP C 10PF D		C299			CC73FCH1H180J	CHIP C 18PF J	
C173			C92-0565-05	CHIP-TAN 6.8UF 10WV		C303			C92-0565-05	CHIP-TAN 6.8UF 10WV	
C175			CK73GB1H102K	CHIP C 1000PF K		C304-306			CK73GB1H102K	CHIP C 1000PF K	
C178,179			CC73GCH1H220J	CHIP C 22PF J		C307			CC73GCH1H180J	CHIP C 18PF J	
C195-198			CK73GB1H102K	CHIP C 1000PF K		C309			CC73GCH1H270J	CHIP C 27PF J	
C200			CK73GB1H102K	CHIP C 1000PF K		C311			CC73GCH1H180J	CHIP C 18PF J	
C201			CC73FCH1H220J	CHIP C 22PF J		C312			CC73GCH1H150J	CHIP C 15PF J	
C204			CK73GB1H102K	CHIP C 1000PF K		C313			CK73GB1H102K	CHIP C 1000PF K	
C207			CK73GB1H102K	CHIP C 1000PF K		C314			C92-0001-05	CHIP C 0.1UF 35WV	

PARTS LIST

TX-RX UNIT (X57-6150-21) : M

Ref. No.	Address	New parts	Parts No.	Description	Destination	Ref. No.	Address	New parts	Parts No.	Description	Destination
C315,316			CK73GB1C104K	CHIP C 0.10UF K		C553			CK73GB1H472K	CHIP C 4700PF K	
C317			CK73GB1H102K	CHIP C 1000PF K		C554-558			CK73GB1C104K	CHIP C 0.10UF K	
C318,319			CK73GB1C104K	CHIP C 0.10UF K		C559			CK73GB1H102K	CHIP C 1000PF K	
C320			C92-0501-05	CHIP-TAN 1.5UF 10WV		C560			C92-0507-05	CHIP-TAN 4.7UF 6.3WV	
C321			CC73GCH1H150J	CHIP C 15PF J		C561			CK73GB1H102K	CHIP C 1000PF K	
C322			C92-0501-05	CHIP-TAN 1.5UF 10WV		C562,563			CK73GB1H472K	CHIP C 4700PF K	
C324			CK73GB1C104K	CHIP C 0.10UF K		C564			CK73GB1E223K	CHIP C 0.022UF K	
C325			C92-0002-05	CHIP-TAN 0.22UF 35WV		C565			CK73GB1H102K	CHIP C 1000PF K	
C326			CK73FB1A105K	CHIP C 1.0UF K		C566			CC73GCH1H101J	CHIP C 100PF J	
C327			CK73GB1C104K	CHIP C 0.10UF K		C567			CK73GB1C473J	CHIP C 0.047UF J	
C418			C93-0552-05	CHIP C 2.0PF C		C568			C92-0712-05	CHIP-TAN 22UF 6.3WV	
C419			CC73GCH1H220J	CHIP C 22PF J		C569			CC73GCH1H470J	CHIP C 47PF J	
C422			CK73GB1H102K	CHIP C 1000PF K		C570,571			CK73GB1C104K	CHIP C 0.10UF K	
C423			C92-0628-05	CHIP-TAN 10UF 10WV		C572			CK73FB1H563K	CHIP C 0.056UF K	
C429			C92-0628-05	CHIP-TAN 10UF 10WV		C574			CK73GB1C104K	CHIP C 0.10UF K	
C443-448			CC73GCH1H220J	CHIP C 22PF J		C575			CK73FB1C334K	CHIP C 0.33UF K	
C450			CC73GCH1H101J	CHIP C 100PF J		C576			CK73GB1C473K	CHIP C 0.047UF K	
C454			C93-0560-05	CHIP C 10PF D		C577			CK73GB1C104K	CHIP C 0.10UF K	
C501			CK73GB1H471K	CHIP C 470PF K		C578			CK73GB1H103K	CHIP C 0.010UF K	
C502			CC73GCH1H221J	CHIP C 220PF J		C579			CK73GB1H472K	CHIP C 4700PF K	
C503,504			CK73GB1H471K	CHIP C 470PF K		C580			CK73GB1H102K	CHIP C 1000PF K	
C505			CK73GB1C683K	CHIP C 0.068UF K		C581			CK73GB1H103K	CHIP C 0.010UF K	
C506			CK73GB1E123K	CHIP C 0.012UF K		C582,583			CK73GB1C104K	CHIP C 0.10UF K	
C508			CK73GB1C104K	CHIP C 0.10UF K		C584			CK73GB1H471K	CHIP C 470PF K	
C509			CK73GB1H222K	CHIP C 2200PF K		C592			CK73GB1C104K	CHIP C 0.10UF K	
C510			C92-0507-05	CHIP-TAN 4.7UF 6.3WV		C593			CK73GB1H103K	CHIP C 0.010UF K	
C511			CK73GB1H103K	CHIP C 0.010UF K		C594,595			CC73GCH1H270J	CHIP C 27PF J	
C512			CK73GB1H471K	CHIP C 470PF K		C596			CC73GCH1H680J	CHIP C 68PF J	
C513			CK73GB1H102K	CHIP C 1000PF K		C597			CK73GB1H103K	CHIP C 0.010UF K	
C514			CK73GB1H152K	CHIP C 1500PF K		C598,599			CC73GCH1H101J	CHIP C 100PF J	
C515			CK73GB1C104K	CHIP C 0.10UF K		C600,601			CK73GB1H102K	CHIP C 1000PF K	
C516,517			CK73GB1H103K	CHIP C 0.010UF K		C602			CK73GB1H103K	CHIP C 0.010UF K	
C518			CK73GB1H102K	CHIP C 1000PF K		C603			CK73GB1C104K	CHIP C 0.10UF K	
C519			C92-0507-05	CHIP-TAN 4.7UF 6.3WV		C604			C92-0566-05	CHIP-TAN 10UF 6.3WV	
C520			CC73GCH1H221J	CHIP C 220PF J		C605			CK73GB1C104K	CHIP C 0.10UF K	
C521,522			CK73GB1C104K	CHIP C 0.10UF K		C606			CK73GB1H332K	CHIP C 3300PF K	
C523			CK73GB1H103K	CHIP C 0.010UF K		C607			CK73GB1H103K	CHIP C 0.010UF K	
C524			CK73GB1C104K	CHIP C 0.10UF K		C608			CK73GB1H392K	CHIP C 3900PF K	
C525			CK73GB1H103K	CHIP C 0.010UF K		C609,610			CK73GB1H103K	CHIP C 0.010UF K	
C526			CK73GB1C104K	CHIP C 0.10UF K		C613			C92-0606-05	CHIP-TAN 4.7UF 10WV	
C527			CK73GB1C683K	CHIP C 0.068UF K		C614			CK73GB1H102K	CHIP C 1000PF K	
C528			CK73GB1H102K	CHIP C 1000PF K		C616			CK73GB1H102K	CHIP C 1000PF K	
C529			CK73GB1H562J	CHIP C 5600PF J		C617			CC73GCH1H101J	CHIP C 100PF J	
C531			CK73GB1H562J	CHIP C 5600PF J		C620			CC73GCH1H101J	CHIP C 100PF J	
C533			CK73GB1H562J	CHIP C 5600PF J		C622,623			CK73GB1H102K	CHIP C 1000PF K	
C535			CK73GB1H102K	CHIP C 1000PF K		C624			CC73GCH1H101J	CHIP C 100PF J	
C536			CC73GCH1H030C	CHIP C 3.0PF C		C625			CK73GB1H102K	CHIP C 1000PF K	
C537			CK73GB1H272K	CHIP C 2700PF K		C626			CC73GCH1H101J	CHIP C 100PF J	
C539			CK73GB1H272K	CHIP C 2700PF K		C627			CK73GB1H102K	CHIP C 1000PF K	
C540			CC73GCH1H271J	CHIP C 270PF J		C628			CC73GCH1H101J	CHIP C 100PF J	
C541			CC73GCH1H100D	CHIP C 10PF D		C629			CK73GB1C104K	CHIP C 0.10UF K	
C542			CC73GCH1H271J	CHIP C 270PF J		C630			CK73GB1H102K	CHIP C 1000PF K	
C543			CK73GB1H272K	CHIP C 2700PF K		C631-634			CC73GCH1H101J	CHIP C 100PF J	
C544			CC73GCH1H030C	CHIP C 3.0PF C		C710			CK73GB1C104K	CHIP C 0.10UF K	
C545			CK73GB1H102K	CHIP C 1000PF K		C711,712			CK73GB1H222K	CHIP C 2200PF K	
C546			CK73GB1H122K	CHIP C 1200PF K		C713			CK73GB1H102K	CHIP C 1000PF K	
C547			CK73GB1H102K	CHIP C 1000PF K		C714			CC73GCH1H331J	CHIP C 330PF J	
C548			C92-0712-05	CHIP-TAN 22UF 6.3WV		C715			CK73GB1H102K	CHIP C 1000PF K	
C549,550			CK73GB1C104K	CHIP C 0.10UF K		C718			C92-0712-05	CHIP-TAN 22UF 6.3WV	
C552			CK73GB1C333K	CHIP C 0.033UF K		C720			CC73GCH1H470J	CHIP C 47PF J	

PARTS LIST

TX-RX UNIT (X57-6150-21) : M

Ref. No.	Address	New parts	Parts No.	Description	Desti-nation	Ref. No.	Address	New parts	Parts No.	Description	Desti-nation
C721-723			CC73GCH1H221J	CHIP C 220PF J		R6,7			R92-1252-05	CHIP R 0 OHM	
C724			CK73GB1H682K	CHIP C 6800PF K		R8			RK73GB1J102J	CHIP R 1.0K J 1/16W	
C726			CK73GB1C104K	CHIP C 0.10UF K		R9			R92-1252-05	CHIP R 0 OHM	
C728			C92-0772-05	CHIP-TAN 10.0UF 6.3WV		R10,11			RK73GB1J102J	CHIP R 1.0K J 1/16W	
						R12			R92-1252-05	CHIP R 0 OHM	
CN1			E40-5737-05	PIN ASSY 8P		R14			RK73GB1J473J	CHIP R 47K J 1/16W	
CN2			E40-5738-05	PIN ASSY 3P		R15			RK73GB1J103J	CHIP R 10K J 1/16W	
CN3			E40-3247-05	PIN ASSY 3P		R16			RK73GB1J473J	CHIP R 47K J 1/16W	
CN4			E40-5738-05	PIN ASSY 3P		R17,18			R92-1252-05	CHIP R 0 OHM	
CN5			E40-3247-05	PIN ASSY 3P		R19			RK73GB1J153J	CHIP R 15K J 1/16W	
CN6			E40-3246-05	PIN ASSY 2P		R20			RK73GB1J104J	CHIP R 100K J 1/16W	
CN7			E40-5982-05	FLAT CABLE CONNECTOR		R21			RK73GB1J563J	CHIP R 56K J 1/16W	
CN501			E40-5823-05	FLAT CABLE CONNECTOR		R22			RK73GB1J104J	CHIP R 100K J 1/16W	
CN502			E40-5982-05	FLAT CABLE CONNECTOR		R23			RK73GB1J184J	CHIP R 180K J 1/16W	
J1	2C		E11-0442-05	3.5D PHONE JACK (3P)		R25			RK73GB1J394J	CHIP R 390K J 1/16W	
J501	1B		E08-0877-05	MODULAR JACK		R26			RK73GB1J104J	CHIP R 100K J 1/16W	
-			J31-0543-05	COLLAR (LH-5-1.5)		R27			RK73GB1J473J	CHIP R 47K J 1/16W	
CF2			L72-0376-05	CERAMIC FILTER		R28			R92-1252-05	CHIP R 0 OHM	
L1			L40-1005-34	SMALL FIXED INDUCTOR (10UH)		R29			RK73GB1J220J	CHIP R 22 J 1/16W	
L2			L92-0138-05	FERRITE CHIP		R30			RK73GB1J224J	CHIP R 220K J 1/16W	
L3			L40-3975-44	SMALL FIXED INDUCTOR (39.0NH)		R31			RK73GB1J104J	CHIP R 100K J 1/16W	
L4			L40-8272-37	SMALL FIXED INDUCTOR (0.082UH)		R32			RK73GB1J474J	CHIP R 470K J 1/16W	
L5			L40-1092-34	SMALL FIXED INDUCTOR		R33			RK73GB1J562J	CHIP R 5.6K J 1/16W	
L6			L34-4459-05	COIL		R34			R92-1252-05	CHIP R 0 OHM	
L7			L40-8281-37	SMALL FIXED INDUCTOR (0.820UH)		R35			RK73GB1J223J	CHIP R 22K J 1/16W	
L9			L40-3975-44	SMALL FIXED INDUCTOR (39.0NH)		R36			RK73GB1J103J	CHIP R 10K J 1/16W	
L10			L92-0191-05	FERRITE CHIP		R37			R92-1252-05	CHIP R 0 OHM	
L200			L40-4775-54	SMALL FIXED INDUCTOR (47NH)		R39			RK73GB1J101J	CHIP R 100 J 1/16W	
L203			L79-1752-05	HELICAL BLOCK		R40			RK73GB1J152J	CHIP R 1.5K J 1/16W	
L205			L40-2275-34	SMALL FIXED INDUCTOR (22NH)		R41			RK73GB1J122J	CHIP R 1.2K J 1/16W	
L206			L40-1085-34	SMALL FIXED INDUCTOR (100NH)		R42			RK73GB1J104J	CHIP R 100K J 1/16W	
L207			L79-1752-05	HELICAL BLOCK		R44			RK73GB1J154J	CHIP R 150K J 1/16W	
L209			L40-4775-92	SMALL FIXED INDUCTOR (47NH)		R45			RK73GB1J104J	CHIP R 100K J 1/16W	
L210-212			L39-1272-05	TOROIDAL COIL		R46			RK73GB1J103J	CHIP R 10K J 1/16W	
L216			L40-3975-34	SMALL FIXED INDUCTOR (39NH)		R47			RK73GB1J473J	CHIP R 47K J 1/16W	
L217			L40-3375-34	SMALL FIXED INDUCTOR (33NH)		R48			RK73GB1J122J	CHIP R 1.2K J 1/16W	
L218			L40-1085-34	SMALL FIXED INDUCTOR (100NH)		R49			RK73GB1J102J	CHIP R 1.0K J 1/16W	
L220			L34-4478-05	AIR-CORE COIL		R50			RK73GB1J103J	CHIP R 10K J 1/16W	
L221			L34-1195-05	AIR-CORE COIL		R52			R92-1252-05	CHIP R 0 OHM	
L222			L34-4404-05	AIR-CORE COIL		R53			RK73GB1J274J	CHIP R 270K J 1/16W	
L223			L34-0908-05	AIR-CORE COIL		R54			RK73GB1J104J	CHIP R 100K J 1/16W	
L224			L34-4404-05	AIR-CORE COIL		R56			RK73GB1J103J	CHIP R 10K J 1/16W	
L225			L92-0179-05	FERRITE CHIP		R57			RK73GB1J473J	CHIP R 47K J 1/16W	
L227			L40-1085-54	SMALL FIXED INDUCTOR (100NH)		R58			RK73GB1J102J	CHIP R 1.0K J 1/16W	
L228			L40-8281-37	SMALL FIXED INDUCTOR (0.820UH)		R59			R92-1252-05	CHIP R 0 OHM	
L302			L92-0148-05	FERRITE CHIP		R60			RK73GB1J472J	CHIP R 4.7K J 1/16W	
L303			L40-4775-34	SMALL FIXED INDUCTOR (47NH)		R61			RK73GB1J822J	CHIP R 8.2K J 1/16W	
L305,306			L40-3375-92	SMALL FIXED INDUCTOR (33NH)		R62			RK73GB1J221J	CHIP R 220 J 1/16W	
L400,401			L92-0179-05	FERRITE CHIP		R63			R92-1252-05	CHIP R 0 OHM	
L501-508			L92-0138-05	FERRITE CHIP		R65			R92-1252-05	CHIP R 0 OHM	
X1			L77-1777-05	TCXO (16.8M)		R66			RK73GB1J392J	CHIP R 3.9K J 1/16W	
X2			L77-1762-05	CRYSTAL RESONATOR (44.395MHZ)		R67,68			RK73GB1J101J	CHIP R 100 J 1/16W	
X501			L77-1708-05	CRYSTAL RESONATOR (3.579545MHZ)		R69			RK73GB1J222J	CHIP R 2.2K J 1/16W	
X502			L78-0462-05	RESONATOR (9.8304M)		R70-73			R92-1252-05	CHIP R 0 OHM	
XF1			L71-0583-05	MCF (3.75KHZ)		R74			RK73GB1J473J	CHIP R 47K J 1/16W	
CP501			R90-0724-05	MULTI-COMP 1K X4		R75			RK73GB1J102J	CHIP R 1.0K J 1/16W	
R1			RK73GB1J102J	CHIP R 1.0K J 1/16W		R76			RK73GB1J153J	CHIP R 15K J 1/16W	
R2			R92-1252-05	CHIP R 0 OHM		R77			RK73GB1J333J	CHIP R 33K J 1/16W	
R3,4			RK73GB1J102J	CHIP R 1.0K J 1/16W		R79			R92-1252-05	CHIP R 0 OHM	
						R80			RK73GB1J473J	CHIP R 47K J 1/16W	

PARTS LIST

TX-RX UNIT (X57-6150-21) : M

Ref. No.	Address	New parts	Parts No.	Description	Destination	Ref. No.	Address	New parts	Parts No.	Description	Destination
R85			RK73GB1J102J	CHIP R 1.0K J 1/16W		R176			R92-0670-05	CHIP R 0 OHM	
R86			R92-1252-05	CHIP R 0 OHM		R181,182			R92-0679-05	CHIP R 0 OHM	
R89			R92-1252-05	CHIP R 0 OHM		R200			R92-0670-05	CHIP R 0 OHM	
R90			RK73GB1J2R2J	CHIP R 2.2 J 1/16W		R205			R92-0670-05	CHIP R 0 OHM	
R91			RK73GB1J472J	CHIP R 4.7K J 1/16W		R209,210			RK73GB1J104J	CHIP R 100K J 1/16W	
R94			R92-1252-05	CHIP R 0 OHM		R211			RK73GB1J332J	CHIP R 3.3K J 1/16W	
R96			RK73GB1J221J	CHIP R 220 J 1/16W		R212,213			RK73GB1J102J	CHIP R 1.0K J 1/16W	
R97,98			RK73GB1J473J	CHIP R 47K J 1/16W		R214			RK73GB1J220J	CHIP R 22 J 1/16W	
R99			RK73GB1J152J	CHIP R 1.5K J 1/16W		R215			RK73GB1J100J	CHIP R 10 J 1/16W	
R100			RK73GB1J221J	CHIP R 220 J 1/16W		R217,218			RK73GB1J104J	CHIP R 100K J 1/16W	
R104			R92-1252-05	CHIP R 0 OHM		R220			RK73GB1J271J	CHIP R 270 J 1/16W	
R106			R92-1252-05	CHIP R 0 OHM		R221			RK73GB1J222J	CHIP R 2.2K J 1/16W	
R107			RK73GB1J473J	CHIP R 47K J 1/16W		R223			RK73GB1J470J	CHIP R 47 J 1/16W	
R109			R92-0670-05	CHIP R 0 OHM		R224,225			R92-1252-05	CHIP R 0 OHM	
R110			RK73GB1J470J	CHIP R 47 J 1/16W		R226			RK73GB1J682J	CHIP R 6.8K J 1/16W	
R111,112			RK73GB1J472J	CHIP R 4.7K J 1/16W		R228			RK73GB1J102J	CHIP R 1.0K J 1/16W	
R113			R92-1252-05	CHIP R 0 OHM		R230			RK73GB1J682J	CHIP R 6.8K J 1/16W	
R114			RK73GB1J392J	CHIP R 3.9K J 1/16W		R231			RK73GB1J103J	CHIP R 10K J 1/16W	
R115			R92-1252-05	CHIP R 0 OHM		R232			R92-1252-05	CHIP R 0 OHM	
R116			RK73GB1J473J	CHIP R 47K J 1/16W		R233			RK73GB1J470J	CHIP R 47 J 1/16W	
R119			RK73GB1J103J	CHIP R 10K J 1/16W		R234			RK73GB1J100J	CHIP R 10 J 1/16W	
R120			RK73GB1J392J	CHIP R 3.9K J 1/16W		R235			RK73GB1J152J	CHIP R 1.5K J 1/16W	
R121,122			RK73GB1J472J	CHIP R 4.7K J 1/16W		R236			RK73GB1J101J	CHIP R 100 J 1/16W	
R123			RK73GB1J153J	CHIP R 15K J 1/16W		R237			RK73GB1J471J	CHIP R 470 J 1/16W	
R124-126			RK73GB1J223J	CHIP R 22K J 1/16W		R238			RK73GB1J221J	CHIP R 220 J 1/16W	
R127			RK73FB2A273J	CHIP R 27K J 1/10W		R239			RK73GB1J100J	CHIP R 10 J 1/16W	
R128			RK73GB1J223J	CHIP R 22K J 1/16W		R240			RK73GB1J222J	CHIP R 2.2K J 1/16W	
R129			RK73GB1J100J	CHIP R 10 J 1/16W		R241			RK73GB1J100J	CHIP R 10 J 1/16W	
R130,131			RK73GB1J223J	CHIP R 22K J 1/16W		R242			RK73GB1J681J	CHIP R 680 J 1/16W	
R132			RK73GB1J104J	CHIP R 100K J 1/16W		R243			RK73GB1J331J	CHIP R 330 J 1/16W	
R133			RK73GB1J153J	CHIP R 15K J 1/16W		R244			RK73GB1J152J	CHIP R 1.5K J 1/16W	
R134			RK73GB1J473J	CHIP R 47K J 1/16W		R245			R92-0685-05	CHIP R 22 J 1/2W	
R135			R92-1214-05	CHIP R 120 J 1/2W		R250			R92-1252-05	CHIP R 0 OHM	
R137			RK73GB1J473J	CHIP R 47K J 1/16W		R251			RK73GB1J474J	CHIP R 470K J 1/16W	
R138			RK73FB2A100J	CHIP R 10 J 1/10W		R257			R92-1252-05	CHIP R 0 OHM	
R139			R92-0670-05	CHIP R 0 OHM		R258			RK73GB1J222J	CHIP R 2.2K J 1/16W	
R140			R92-1252-05	CHIP R 0 OHM		R260			R92-0670-05	CHIP R 0 OHM	
R141			RK73GB1J104J	CHIP R 100K J 1/16W		R300			RK73GB1J470J	CHIP R 47 J 1/16W	
R142			R92-0699-05	CHIP R 10 J 1/2W		R301-303			RK73GB1J102J	CHIP R 1.0K J 1/16W	
R143			RK73GB1J102J	CHIP R 1.0K J 1/16W		R304			R92-1252-05	CHIP R 0 OHM	
R144			RK73GB1J223J	CHIP R 22K J 1/16W		R305			RK73GB1J103J	CHIP R 10K J 1/16W	
R145			RK73GB1J104J	CHIP R 100K J 1/16W		R306			RK73GB1J271J	CHIP R 270 J 1/16W	
R146			R92-1215-05	CHIP R 470 J 1/2W		R307			R92-1252-05	CHIP R 0 OHM	
R147			RK73FB2A472J	CHIP R 4.7K J 1/10W		R308			RK73GB1J101J	CHIP R 100 J 1/16W	
R148			RK73FB2A472J	CHIP R 4.7K J 1/10W		R309			RK73GB1J563J	CHIP R 56K J 1/16W	
R149			RK73FB2A332J	CHIP R 3.3K J 1/10W		R310			RK73GB1J103J	CHIP R 10K J 1/16W	
R150			R92-0670-05	CHIP R 0 OHM		R311			RK73GB1J271J	CHIP R 270 J 1/16W	
R151-153			R92-1252-05	CHIP R 0 OHM		R312			RK73GB1J152J	CHIP R 1.5K J 1/16W	
R154			RK73GB1J103J	CHIP R 10K J 1/16W		R313			RK73GB1J103J	CHIP R 10K J 1/16W	
R155			RK73GB1J333J	CHIP R 33K J 1/16W		R314			RK73GB1J273J	CHIP R 27K J 1/16W	
R156			RK73GB1J471J	CHIP R 470 J 1/16W		R315			RK73GB1J472J	CHIP R 4.7K J 1/16W	
R157			RK73GB1J101J	CHIP R 100 J 1/16W		R316,317			R92-1252-05	CHIP R 0 OHM	
R158,159			RK73FB2A562J	CHIP R 5.6K J 1/10W		R318			RK73GB1J271J	CHIP R 270 J 1/16W	
R162			RK73GB1J122J	CHIP R 1.2K J 1/16W		R319			RK73GB1J102J	CHIP R 1.0K J 1/16W	
R163			RK73GB1J104J	CHIP R 100K J 1/16W		R320			R92-1252-05	CHIP R 0 OHM	
R164			RK73GB1J474J	CHIP R 470K J 1/16W		R323,324			R92-1252-05	CHIP R 0 OHM	
R165			R92-0670-05	CHIP R 0 OHM		R400			R92-0670-05	CHIP R 0 OHM	
R168			R92-1252-05	CHIP R 0 OHM		R402			R92-0670-05	CHIP R 0 OHM	
R169			RK73GB1J104J	CHIP R 100K J 1/16W		R403			R92-1252-05	CHIP R 0 OHM	
R170			R92-1252-05	CHIP R 0 OHM		R406			RK73GB1J394J	CHIP R 390K J 1/16W	

PARTS LIST

TX-RX UNIT (X57-6150-21) : M

Ref. No.	Address	New parts	Parts No.	Description	Destination	Ref. No.	Address	New parts	Parts No.	Description	Destination
R408			R92-1252-05	CHIP R 0 OHM		R553			RK73GB1J102J	CHIP R 1.0K J 1/16W	
R411			RK73GB1J472J	CHIP R 4.7K J 1/16W		R554			RK73GB1J332J	CHIP R 3.3K J 1/16W	
R413			RK73GB1J473J	CHIP R 47K J 1/16W		R555			RK73GB1J394J	CHIP R 390K J 1/16W	
R414			R92-1252-05	CHIP R 0 OHM		R556			RK73GB1J223J	CHIP R 22K J 1/16W	
R415			RK73GB1J103J	CHIP R 10K J 1/16W		R558			R92-1252-05	CHIP R 0 OHM	
R416			RK73GB1J153J	CHIP R 15K J 1/16W		R562			RK73GB1J273J	CHIP R 27K J 1/16W	
R417			RK73GB1J122J	CHIP R 1.2K J 1/16W		R564			R92-1252-05	CHIP R 0 OHM	
R418			RK73GB1J473J	CHIP R 47K J 1/16W		R566			RK73GB1J470J	CHIP R 47 J 1/16W	
R419			R92-1252-05	CHIP R 0 OHM		R567			RK73GB1J220J	CHIP R 22 J 1/16W	
R420,421			R92-0670-05	CHIP R 0 OHM		R568			RK73GB1J473J	CHIP R 47K J 1/16W	
R422			R92-1252-05	CHIP R 0 OHM		R569			RK73GB1J333J	CHIP R 33K J 1/16W	
R423			RK73GB1J470J	CHIP R 47 J 1/16W		R571,572			R92-1252-05	CHIP R 0 OHM	
R424			RK73GB1J153J	CHIP R 15K J 1/16W		R573			RK73GB1J104J	CHIP R 100K J 1/16W	
R425			R92-1252-05	CHIP R 0 OHM		R574			RK73GB1J473J	CHIP R 47K J 1/16W	
R501			RK73GB1J472J	CHIP R 4.7K J 1/16W		R575			RK73GB1J103J	CHIP R 10K J 1/16W	
R502			RK73GB1J184J	CHIP R 180K J 1/16W		R576			RK73GB1J473J	CHIP R 47K J 1/16W	
R503			RK73GB1J223J	CHIP R 22K J 1/16W		R577			RK73GB1J153J	CHIP R 15K J 1/16W	
R504			RK73GB1J184J	CHIP R 180K J 1/16W		R579			R92-1252-05	CHIP R 0 OHM	
R505			RK73GB1J102J	CHIP R 1.0K J 1/16W		R580			RK73GB1J103J	CHIP R 10K J 1/16W	
R506			R92-1252-05	CHIP R 0 OHM		R581			RK73GB1J472J	CHIP R 4.7K J 1/16W	
R507,508			RK73GB1J154J	CHIP R 150K J 1/16W		R582			R92-1252-05	CHIP R 0 OHM	
R509			RK73GB1J103J	CHIP R 10K J 1/16W		R584			R92-1252-05	CHIP R 0 OHM	
R510			RK73GB1J105J	CHIP R 1.0M J 1/16W		R585,586			RK73GB1J473J	CHIP R 47K J 1/16W	
R511			RK73GB1J102J	CHIP R 1.0K J 1/16W		R587			R92-1252-05	CHIP R 0 OHM	
R512			RK73GB1J681J	CHIP R 680 J 1/16W		R588			RK73GB1J473J	CHIP R 47K J 1/16W	
R513			R92-1252-05	CHIP R 0 OHM		R589			R92-1368-05	CHIP R 0 OHM	
R514			RK73GB1J102J	CHIP R 1.0K J 1/16W		R590-600			RK73HB1J102J	CHIP R 1.0K J 1/16W	
R515			RN73GH1J913D	CHIP R 91K D 1/16W		R601-603			R92-1368-05	CHIP R 0 OHM	
R516			RK73GB1J102J	CHIP R 1.0K J 1/16W		R608-610			RK73HB1J102J	CHIP R 1.0K J 1/16W	
R517			RK73GB1J103J	CHIP R 10K J 1/16W		R611			R92-1252-05	CHIP R 0 OHM	
R518			RN73GH1J333D	CHIP R 33K D 1/16W		R612			RK73GB1J224J	CHIP R 220K J 1/16W	
R519			RN73GH1J913D	CHIP R 91K D 1/16W		R613			RK73HB1J102J	CHIP R 1.0K J 1/16W	
R520			RN73GH1J683D	CHIP R 68K D 1/16W		R614			R92-1252-05	CHIP R 0 OHM	
R521			RK73GB1J105J	CHIP R 1.0M J 1/16W		R615			RK73HB1J102J	CHIP R 1.0K J 1/16W	
R522			RN73GH1J913D	CHIP R 91K D 1/16W		R616			RK73GB1J473J	CHIP R 47K J 1/16W	
R523			RK73GB1J154J	CHIP R 150K J 1/16W		R617,618			RK73HB1J102J	CHIP R 1.0K J 1/16W	
R524			RN73GH1J274D	CHIP R 270K D 1/16W		R619			R92-1252-05	CHIP R 0 OHM	
R525			RK73GB1J823J	CHIP R 82K J 1/16W		R620			RK73HB1J102J	CHIP R 1.0K J 1/16W	
R526			RK73GB1J104J	CHIP R 100K J 1/16W		R621			R92-1252-05	CHIP R 0 OHM	
R527			RK73GB1J103J	CHIP R 10K J 1/16W		R622,623			RK73HB1J102J	CHIP R 1.0K J 1/16W	
R528			RK73GB1J153J	CHIP R 15K J 1/16W		R624			R92-1252-05	CHIP R 0 OHM	
R529			R92-1252-05	CHIP R 0 OHM		R625-627			RK73HB1J102J	CHIP R 1.0K J 1/16W	
R530			RK73GB1J394J	CHIP R 390K J 1/16W		R628,629			R92-1368-05	CHIP R 0 OHM	
R531			RK73GB1J473J	CHIP R 47K J 1/16W		R630			RK73HB1J102J	CHIP R 1.0K J 1/16W	
R532			RK73GB1J394J	CHIP R 390K J 1/16W		R631			R92-1368-05	CHIP R 0 OHM	
R533			R92-1252-05	CHIP R 0 OHM		R632			RK73HB1J102J	CHIP R 1.0K J 1/16W	
R535			RK73GB1J155J	CHIP R 1.5M J 1/16W		R633			R92-1368-05	CHIP R 0 OHM	
R536			RN73GH1J682D	CHIP R 6.8K D 1/16W		R634			RK73HB1J102J	CHIP R 1.0K J 1/16W	
R537,538			RK73GB1J473J	CHIP R 47K J 1/16W		R635			R92-1368-05	CHIP R 0 OHM	
R540			RK73GB1J474J	CHIP R 470K J 1/16W		R636,637			RK73HB1J102J	CHIP R 1.0K J 1/16W	
R541			RK73GB1J274J	CHIP R 270K J 1/16W		R638			R92-1368-05	CHIP R 0 OHM	
R542			RN73GH1J683D	CHIP R 68K D 1/16W		R639			RK73HB1J102J	CHIP R 1.0K J 1/16W	
R544			RK73GB1J101J	CHIP R 100 J 1/16W		R640			R92-1368-05	CHIP R 0 OHM	
R545			RK73GB1J182J	CHIP R 1.8K J 1/16W		R641			RK73HB1J102J	CHIP R 1.0K J 1/16W	
R546			RK73GB1J224J	CHIP R 220K J 1/16W		R642			R92-1368-05	CHIP R 0 OHM	
R547			RK73GB1J103J	CHIP R 10K J 1/16W		R643			RK73HB1J102J	CHIP R 1.0K J 1/16W	
R548			RK73GB1J183J	CHIP R 18K J 1/16W		R644			R92-1368-05	CHIP R 0 OHM	
R550			RN73GH1J682D	CHIP R 6.8K D 1/16W		R645			RK73GB1J472J	CHIP R 4.7K J 1/16W	
R551			RK73GB1J223J	CHIP R 22K J 1/16W		R646,647			RK73HB1J102J	CHIP R 1.0K J 1/16W	
R552			RK73GB1J334J	CHIP R 330K J 1/16W		R649			RK73HB1J102J	CHIP R 1.0K J 1/16W	

PARTS LIST

TX-RX UNIT (X57-6150-21) : M

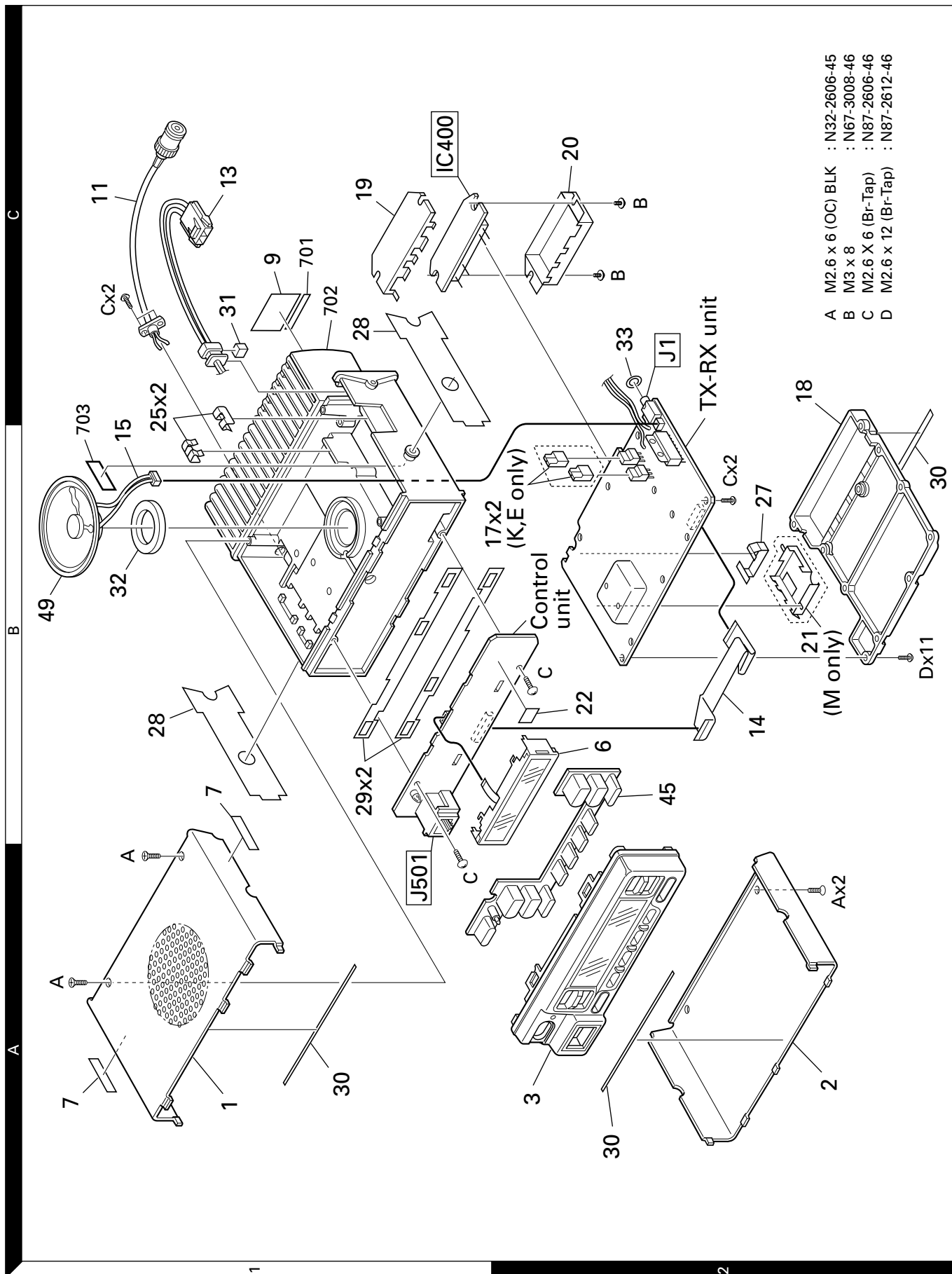
Ref. No.	Address	New parts	Parts No.	Description	Destination	Ref. No.	Address	New parts	Parts No.	Description	Destination
R650-652			R92-1368-05	CHIP R 0 OHM		D35			MA742	DIODE	
R653,654			RK73HB1J102J	CHIP R 1.0K J 1/16W		D37			DSA3A1	DIODE	
R655-657			R92-1368-05	CHIP R 0 OHM		D203-206			MA2S377	VARIABLE CAPACITANCE DIODE	
R658			RK73HB1J472J	CHIP R 4.7K J 1/16W		D207			HSB123	DIODE	
R659-666			R92-1368-05	CHIP R 0 OHM		D209			MA4PH633	DIODE	
R667,668			RK73GB1J181J	CHIP R 180 J 1/16W		D210,211			XB15A709	DIODE	
R670			RK73GB1J473J	CHIP R 47K J 1/16W		D212-215			MA2S377	VARIABLE CAPACITANCE DIODE	
R672,673			RK73GB1J473J	CHIP R 47K J 1/16W		D501			DA204U	DIODE	
R674			RK73FB2A222J	CHIP R 2.2K J 1/10W		D501			HSB123	DIODE	
R675			RK73GB1J473J	CHIP R 47K J 1/16W		D502			MINISMDC075-02	VARISTOR	
R676			RK73GB1J103J	CHIP R 10K J 1/16W		D503-505			DA204U	DIODE	
R677			RK73GB1J223J	CHIP R 22K J 1/16W		D503-505			HSB123	DIODE	
R678			RK73GB1J103J	CHIP R 10K J 1/16W		D507			DAN202U	DIODE	
R679			RK73FB2A390J	CHIP R 39 J 1/10W		D508,509			MA742	DIODE	
R680			RK73FB2A222J	CHIP R 2.2K J 1/10W		D510			HSC119	DIODE	
R682			RK73GB1J473J	CHIP R 47K J 1/16W		D518			02DZ9.1(X,Y)	ZENER DIODE	
R683			RK73GB1J103J	CHIP R 10K J 1/16W		D520			MA2S111	DIODE	
R701			RK73GB1J102J	CHIP R 1.0K J 1/16W		IC1			TA75W01FU	MOS IC	
R702			RK73GB1J101J	CHIP R 100 J 1/16W		IC2,3			TA75W558FU	MOS IC	
R705,706			RK73GB1J473J	CHIP R 47K J 1/16W		IC4			TC4S66F	MOS IC	
R710,711			RK73GB1J104J	CHIP R 100K J 1/16W		IC5			M62363FP	MOS IC	
R712,713			RK73GB1J473J	CHIP R 47K J 1/16W		IC6			TA75W01FU	MOS IC	
R714			RK73GB1J103J	CHIP R 10K J 1/16W		IC7,8			BU4094BCFV	MOS IC	
R716			RK73GB1J472J	CHIP R 4.7K J 1/16W		IC9			TA78L05F	MOS IC	
R718			RK73GB1J154J	CHIP R 150K J 1/16W		IC10			LA4422	BI-POLAR IC	
R719			RK73GB1J103J	CHIP R 10K J 1/16W		IC11			TA31136FN	MOS IC	
R720			RK73GB1J683J	CHIP R 68K J 1/16W		IC12			TA78L05F	MOS IC	
R721			RK73GB1J334J	CHIP R 330K J 1/16W		IC13			AN8009M	MOS IC	
R722			RK73FB2A680J	CHIP R 68 J 1/10W		IC14			TA7808S	MOS IC	
R723			R92-1252-05	CHIP R 0 OHM		IC15			TC4013BF(N)	MOS IC	
R724			RK73GB1J562J	CHIP R 5.6K J 1/16W		IC200			GN2011(Q)	MOS IC	
R725			RK73GB1J392J	CHIP R 3.9K J 1/16W		IC300			SA7025DK	MOS IC	
R726			R92-1252-05	CHIP R 0 OHM		IC400	1C		M68706	POWER MODULE	
R727			RK73GB1J472J	CHIP R 4.7K J 1/16W		IC401			NJM2904V	MOS IC	
R730			RK73GB1J472J	CHIP R 4.7K J 1/16W		IC501			TA75W558FU	MOS IC	
VR1			R32-0656-05	SEMI FIXED VARIABLE RESISTOR		IC502			TC75W51FU	MOS IC	
D1-6			DA204U	DIODE		IC503			TA75W558FU	MOS IC	
D1-6			HSB123	DIODE		IC504			TC35453F	MOS IC	
D7			02D220(Y,Z)	ZENER DIODE		IC506			BU4066BCFV	MOS IC	
D8,9			DA204U	DIODE		IC507			LC73872M	MOS IC	
D8,9			HSB123	DIODE		IC508			BU4094BCFV	MOS IC	
D11			DAN202U	DIODE		IC509			RH5VL42C	MOS IC	
D12-14			DA204U	DIODE		IC510			AT29C020-90T1	ROM IC	
D12-14			HSB123	DIODE		IC511			30620M8-394GP	MPU	
D15			DAN235E	DIODE		IC512			AT2416N10SI2.5	ROM IC	
D16			1SS355	DIODE		IC513			TA78L05F	MOS IC	
D17			DA204U	DIODE		IC710,711			TA75S01F	MOS IC	
D17			HSB123	DIODE		Q1			2SK1824	FET	
D20			1SS355	DIODE		Q2,3			2SC2412K(S)	TRANSISTOR	
D21			02DZ5.6(X,Y)	ZENER DIODE		Q4			DTD114EK	DIGITAL TRANSISTOR	
D22,23			DAN235E	DIODE		Q5,6			DTC114EE	DIGITAL TRANSISTOR	
D24			MINISMDC075-02	VARISTOR		Q7			2SC5110(O)	TRANSISTOR	
D26			1SS355	DIODE		Q8			DTC363EU	DIGITAL TRANSISTOR	
D27			HSM88AS	DIODE		Q9			DTA114YUA	DIGITAL TRANSISTOR	
D28			02DZ15(X,Y)	ZENER DIODE		Q10			DTC114EE	DIGITAL TRANSISTOR	
D30			HSM88AS	DIODE		Q11			2SA1362(Y)	TRANSISTOR	
D31			1SS355	DIODE		Q12			2SB1132(Q,R)	TRANSISTOR	
D32			22ZR-10D	SURGE ABSORBER		Q13			DTC114EE	DIGITAL TRANSISTOR	
D34			02DZ18(X,Y)	ZENER DIODE		Q15			2SC2059K(P)	TRANSISTOR	
						Q16			DTC144EE	DIGITAL TRANSISTOR	

PARTS LIST

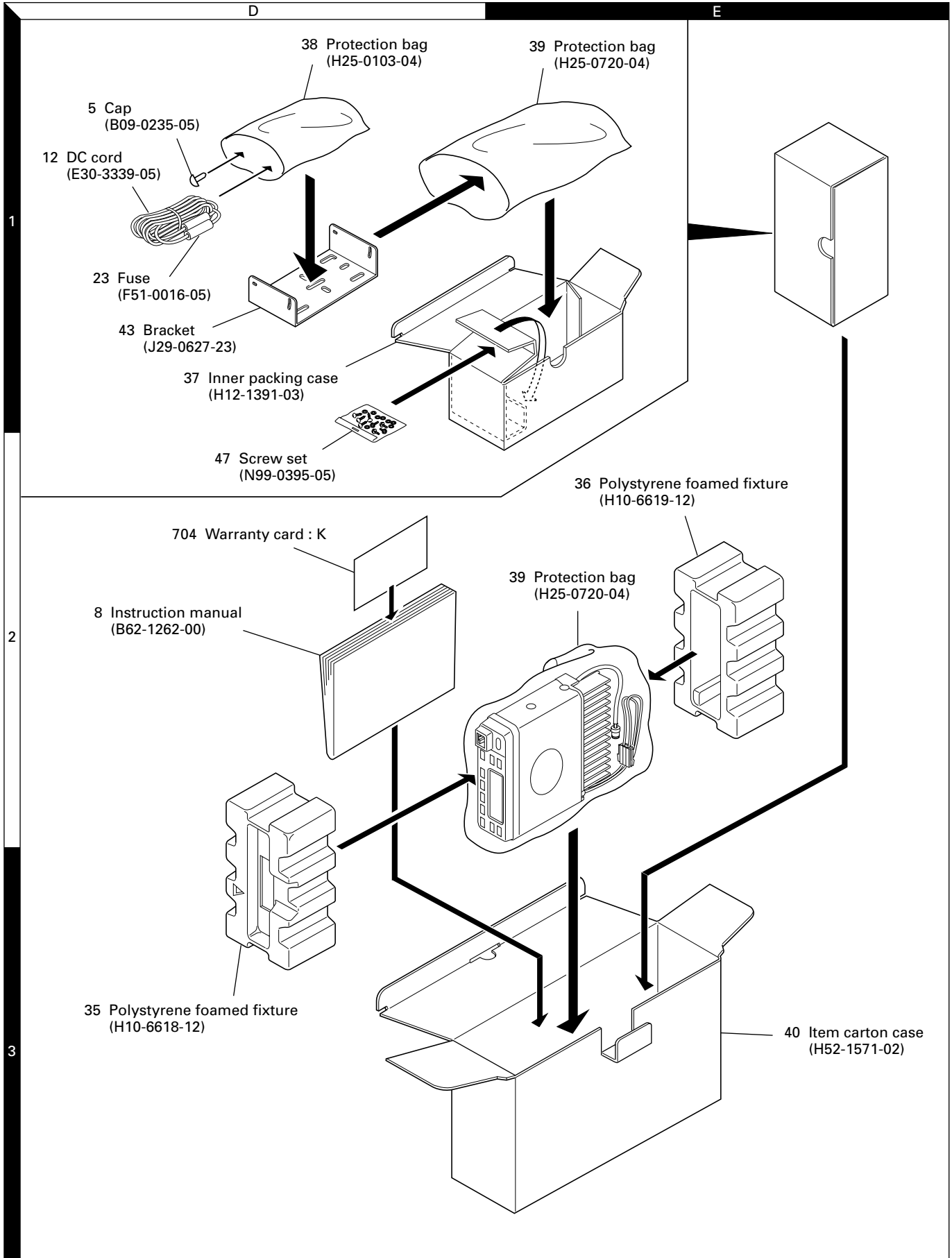
TX-RX UNIT (X57-6150-21) : M
PLL/VCO (X58-471X-XX)

Ref. No.	Address	New parts	Parts No.	Description	Destination	Ref. No.	Address	New parts	Parts No.	Description	Destination
Q17			2SC2412K(S)	TRANSISTOR		C127			CK73GB1H102K	CHIP C 1000PF K	
Q18			2SK1824	FET		C129			CK73GB1H102K	CHIP C 1000PF K	
Q19			2SD2394	TRANSISTOR		C130			CC73GCH1H060B	CHIP C 6.0PF B	M
Q20			2SB1188(Q)	TRANSISTOR		C130			CC73GCH1H100D	CHIP C 10PF D	K,E
Q21			FMW1	TRANSISTOR		C131			CC73GCH1H040B	CHIP C 4.0PF B	M
Q22			DTC114EE	DIGITAL TRANSISTOR		C131			CC73GCH1H050B	CHIP C 5.0PF B	K,E
Q23			DTA114EE	DIGITAL TRANSISTOR		C132			CC73GCH1H120J	CHIP C 12PF J	M
Q24			DTC144EE	DIGITAL TRANSISTOR		C132			CC73GCH1H150J	CHIP C 15PF J	K,E
Q25,26			DTA114EE	DIGITAL TRANSISTOR		C133,134			CK73GB1H102K	CHIP C 1000PF K	
Q27			2SA1641(S,T)	TRANSISTOR		C135,136			CC73GCH1H020B	CHIP C 2.0PF B	
Q28,29			DTC114EE	DIGITAL TRANSISTOR		C138			CC73GCH1H150J	CHIP C 15PF J	
Q30			DTA114EE	DIGITAL TRANSISTOR		C139			CK73GB1H102K	CHIP C 1000PF K	
Q31			DTC114EE	DIGITAL TRANSISTOR		C142			CK73GB1H102K	CHIP C 1000PF K	
Q32			2SK1824	FET		C143			CC73GCH1H150J	CHIP C 15PF J	K,E
Q201			2SC3357	TRANSISTOR		C143			CC73GCH1H220J	CHIP C 22PF J	M
Q202			2SC4093(R27)	TRANSISTOR		TC101,102			C05-0384-05	CERAMIC TRIMMER CAP (10PF)	
Q203,204			2SC3357	TRANSISTOR		CN101			E40-5699-05	PIN ASSY	
Q205			2SC2954	TRANSISTOR		-			F10-2279-04	SHIELDING CASE	
Q300			2SC4215(Y)	TRANSISTOR		L101-104			L40-1005-34	SMALL FIXED INDUCTOR (10UH)	
Q301,302			2SC3722K(S)	TRANSISTOR		L105			L40-6878-67	SMALL FIXED INDUCTOR (68NH)	
Q401-403			DTC114EE	DIGITAL TRANSISTOR		L106			L40-1005-34	SMALL FIXED INDUCTOR (10UH)	
Q501			DTC314TU	DIGITAL TRANSISTOR		L107			L40-2278-67	SMALL FIXED INDUCTOR (22NH)	M
Q502			DTC144EE	DIGITAL TRANSISTOR		L107			L40-3378-67	SMALL FIXED INDUCTOR (33NH)	K,E
Q503			2SC4617(S)	TRANSISTOR		L109,110			L40-1005-34	SMALL FIXED INDUCTOR (10UH)	
Q507			DTC144EE	DIGITAL TRANSISTOR		L111			L40-8278-67	SMALL FIXED INDUCTOR (82NH)	
Q508,509			2SC4617(S)	TRANSISTOR		R101			RK73GB1J101J	CHIP R 100 J 1/16W	
Q510			2SC4619	TRANSISTOR		R102			RK73GB1J221J	CHIP R 220 J 1/16W	
Q511			DTA144WE	DIGITAL TRANSISTOR		R103			RK73GB1J102J	CHIP R 1.0K J 1/16W	
Q512			DTC114EE	DIGITAL TRANSISTOR		R104			RK73GB1J154J	CHIP R 150K J 1/16W	
Q513			2SC2873(Y)	TRANSISTOR		R105			RK73GB1J221J	CHIP R 220 J 1/16W	
Q515			DTC114EE	DIGITAL TRANSISTOR		R106-110			RK73GB1J103J	CHIP R 10K J 1/16W	
PLL/VCO (X58-471X-XX) 0-21 : M 2-71 : K,E						R111			RK73GB1J331J	CHIP R 330 J 1/16W	
C102,103			CK73GB1H102K	CHIP C 1000PF K		R113,114			RK73GB1J221J	CHIP R 220 J 1/16W	
C104			CC73GCH1H470J	CHIP C 47PF J	K,E	R115,116			RK73GB1J470J	CHIP R 47 J 1/16W	
C104			CC73GCH1H680J	CHIP C 68PF J	M	R117			RK73GB1J473J	CHIP R 47K J 1/16W	
C105			CK73GB1H102K	CHIP C 1000PF K		R118			RK73GB1J103J	CHIP R 10K J 1/16W	
C106			CC73GCH1H090B	CHIP C 9.0PF B	K,E	R119			RK73GB1J101J	CHIP R 100 J 1/16W	
C107			CC73GCH1H080B	CHIP C 8.0PF B	M	R120			RK73GB1J180J	CHIP R 18 J 1/16W	
C107			CC73GCH1H220J	CHIP C 22PF J	K,E	R121			R92-1252-05	CHIP R 0 OHM	
C108			CC73GCH1H080B	CHIP C 8.0PF B	K,E	D101,102			1SV283	VARIABLE CAPACITANCE DIODE	
C108			CC73GCH1H080B	CHIP C 8.0PF B	K,E	D104			1SV283	VARIABLE CAPACITANCE DIODE	
C108			CC73GCH1H150J	CHIP C 15PF J	M	D107			1SV283	VARIABLE CAPACITANCE DIODE	
C109			CK73GB1C104K	CHIP C 0.10UF K		D109			1SV214	VARIABLE CAPACITANCE DIODE	
C110			CK73GB1H102K	CHIP C 1000PF K		Q101			DTC114EUA	DIGITAL TRANSISTOR	
C111			CK73FB1C474K	CHIP C 0.47UF K		Q102			2SK508NV(K52)	FET	
C113			CC73GCH1H3R5B	CHIP C 3.5PF B		Q103			2SK508NV(K53)	FET	
C114			CK73GB1H471K	CHIP C 470PF K		Q104,105			2SC4081	TRANSISTOR	
C115			CK73GB1H102K	CHIP C 1000PF K		Q106			2SC4215(Y)	TRANSISTOR	
C117			CC73GCH1H060B	CHIP C 6.0PF B	M						
C117			CC73GCH1H120J	CHIP C 12PF J	K,E						
C119			CK73GB1H102K	CHIP C 1000PF K							
C120			CC73GCH1HR75B	CHIP C 0.75PF B							
C121			CK73GB1H102K	CHIP C 1000PF K							
C122			CC73GCH1H070B	CHIP C 7.0PF B							
C125			CC73GCH1H010B	CHIP C 1.0PF B	M						
C125			CC73GCH1H1R5B	CHIP C 1.5PF B	K,E						
C126			CC73GCH1H020B	CHIP C 2.0PF B							

EXPLODED VIEW

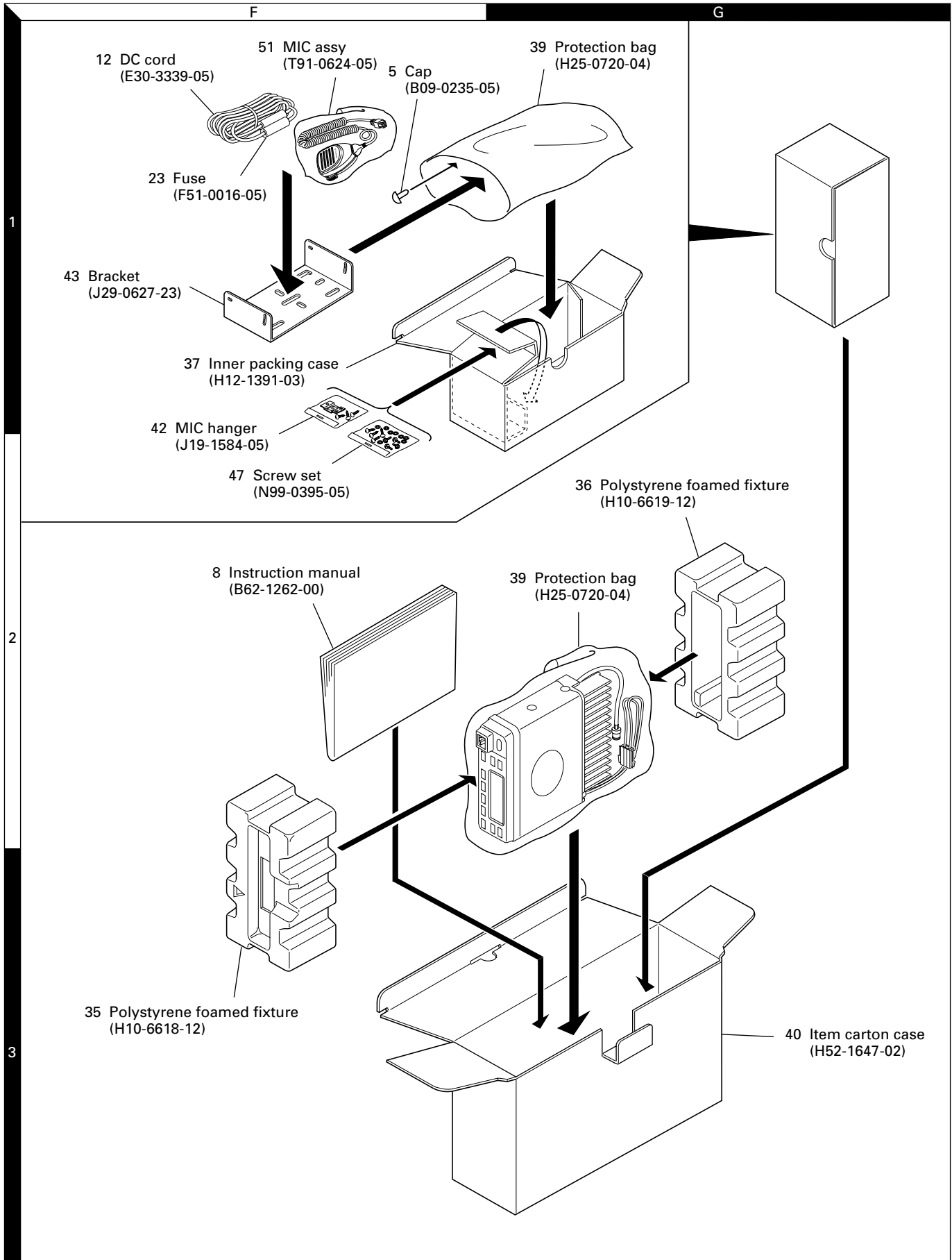


PACKING (K,M)



Parts with the exploded numbers larger than 700 are not supplied.

PACKING (E)



ADJUSTMENT

Test Mode

■ Test Mode Operating Features

This transceiver has a test mode. **To enter test mode, press [B] key and turn power on. Hold [B] key until test channel No. and test signalling No. appears on LCD.**

Test mode can be inhibited by programming. To exit test mode, switch the power on again. The following functions are available in test mode.

• Controls ("FCN" appears)

[PTT]	Used when making a transmission.
[■]	Function off.
[A]	FFSK 1200 bps and 2400 bps.
[B]	Shift off.
[◀ C]	Compander function on and off.
[D ▶]	Beat shift on and off.
[CALL]	Monitor on and off.
[System Up/Down]	Shift off.
[Volume Up/Down]	Volume up/down.

• Controls ("FCN" not appears)

[PTT]	Used when making a transmission.
[■]	Function off.
[A]	Sets to the tuning mode.
[B]	Shift on.
[◀ C]	RF power high and low.
[D ▶]	Changes signalling.
[CALL]	Monitor on and off.
[System Up/Down]	Changes channel.
[Volume Up/Down]	Volume up/down.

Note : If a [A], [B], [◀ C], [D ▶] key is pressed during transmission, the DTMF corresponding to the key that was pressed is sent.

• LCD indicator

"SCN"	Unused
"J"	Lights at compander on.
"AUX"	Unused.
"P"	Lights at RF power low.
"MON"	Lights at monitor on.
"SVC"	Unlock.
"☐"	Lights at FFSK 2400 bps.

• LED indicator

Red LED	Lights during transmission.
Green LED	Lights when there is a carrier.

• Sub LCD indicator

"FCN"	Appears at shift on.
-------	----------------------

■ Frequency and Signalling

The set has been adjusted for the frequencies shown in the following table. When required, re-adjust them following the adjustment procedure to obtain the frequencies you want in actual operation.

• Frequency (MHz)

Channel No.	K,E		M	
	RX	TX	RX	TX
1	226.05	226.10	260.05	260.10
2	217.05	218.10	250.05	250.10
3	234.95	234.90	269.95	269.90
4	227.00	227.00	260.00	260.00
5	227.20	227.20	260.20	260.20
6	227.40	227.40	260.40	260.40
7~16	-	-	-	-

• Signalling

Signalling No.	RX	TX
1	None	None
2	None	100Hz square
3	QT 67.0Hz	QT 67.0Hz
4	QT 151.4Hz	QT 151.4Hz
5	QT 210.7Hz	QT 210.7Hz
6	QT 250.3Hz	QT 250.3Hz
7	DQT 023N	DQT 023N
8	DQT 754I	DQT 754I
9	None	DTMF tone 9
10	None	Single tone 1200Hz (HSD out)
11	None	Single tone 1200Hz (MODEM out)
12	None	Single tone 1800Hz (MODEM out)
13	None	FFSK (PN pattern)
14	FFSK code	FFSK code

■ Preparations for Tuning the Transceiver

Before attempting to tune the transceiver, connect the unit to a suitable power supply.

Whenever the transmitter is turned, the unit must be connected to a suitable dummy load (i.e. power meter).

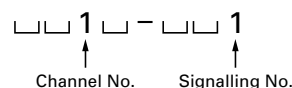
The speaker output connector must be terminated with a 4Ω dummy load and connected to an AC voltmeter and an audio distortion meter or a SINAD measurement meter at all times during tuning.

■ Transceiver Tuning

(To place transceiver in tuning mode)

Channel appears on LCD. Set channel according to tuning requirements.

LCD display (Test mode)

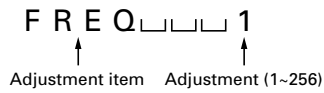


ADJUSTMENT

Press [A], now in tuning mode. Use [◀C] button to write tuning data through tuning modes, and [System Up/Down] to adjust tuning requirements (1 to 256 appears on LCD).

Use [D▶] button to select the adjustment item through tuning modes. Use [B] button to adjust 3 or 5-point tuning.

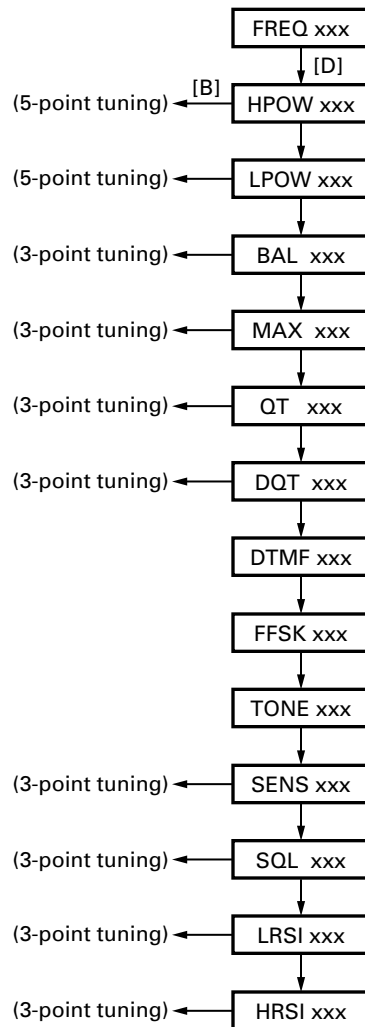
LCD display (Tuning mode)



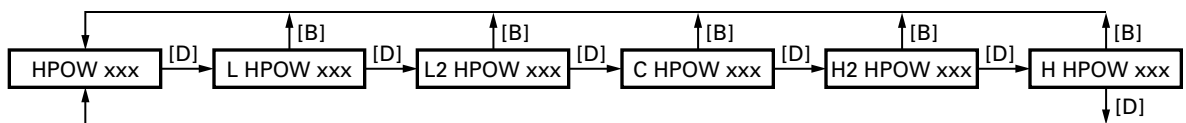
• Panel Tuning Mode (MHz)

Test channel	K,E		M	
	RX frequency	TX frequency	RX frequency	TX frequency
L	217.05	218.10	250.05	250.10
L2	221.05	222.10	255.05	255.10
C	226.05	226.10	260.05	260.10
H2	230.05	230.10	265.05	265.10
H	234.95	234.90	269.95	269.90

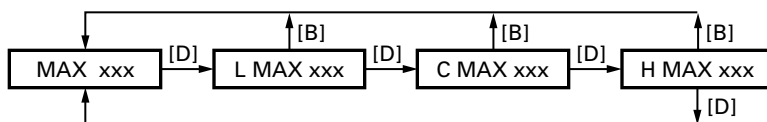
• Tuning flow



• 5-point tuning (ex. RF power high)



• 3-point tuning (ex. Maximum deviation)



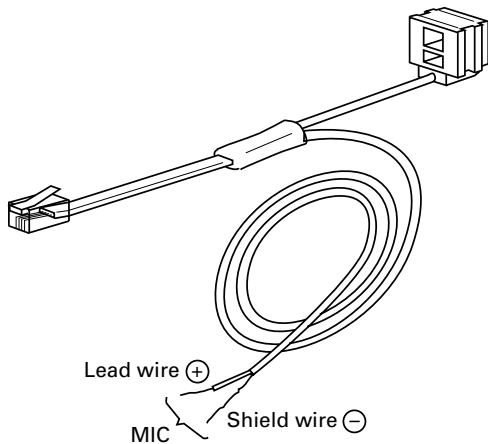
ADJUSTMENT

Test Equipment Required for Alignment

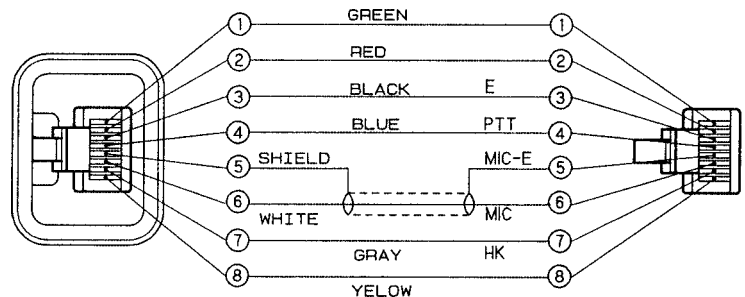
Test Equipment	Major Specifications	
1. Standard Signal Generator (SSG)	Frequency Range Modulation Output	217 to 235MHz (K,E), 250 to 270MHz (M) Frequency modulation and external modulation -127dBm/0.1µV to greater than -7dBm/100mV
2. Power Meter	Input Impedance Operation Frequency Measurement Capability	50Ω 218 to 235MHz or more (K,E), 250 to 270MHz or more (M) Vicinity of 50W
3. Deviation Meter	Frequency Range	218 to 235MHz (K,E), 250 to 270MHz (M)
4. Digital Volt Meter (DVM)	Measuring Range Accuracy	1 to 20V DC High input impedance for minimum circuit loading
5. Oscilloscope		DC through 30MHz
6. High Sensitivity Frequency Counter	Frequency Range Frequency Stability	10Hz to 1000MHz 0.2ppm or less
7. Ammeter		20A
8. AF Volt Meter (AF VTVM)	Frequency Range Voltage Range	50Hz to 10kHz 1mV to 10V
9. Audio Generator (AG)	Frequency Range Output	20Hz to 20kHz or more 0 to 1V
10. Distortion Meter	Capability Input Level	3% or less at 1kHz 50mV to 10Vrms
11. 4Ω Dummy Load		Approx. 4Ω, 10W or more
12. Regulated Power Supply		13.2V (E), 13.6V (K,M), approx. 20A (adjustable from 9 to 20V) Useful if ammeter requipped

Tuning cable (E30-3383-05)

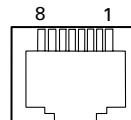
Adapter cable (E30-3383-05) is required for injecting an audio if PC tuning is used. See "PC Mode" section for the connection.



Test cable for microphone input (E30-3360-08)



MIC connector (Front view)

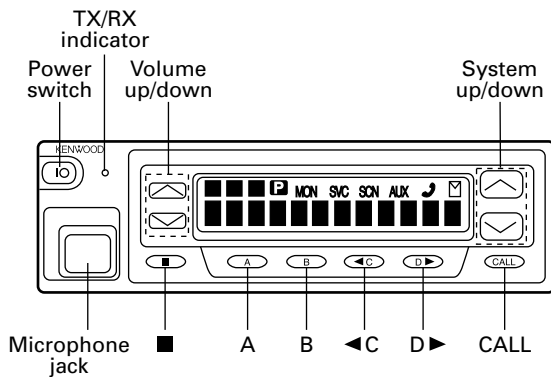


- 1 : BLC
- 2 : PSB
- 3 : E
- 4 : PTT
- 5 : ME
- 6 : MIC
- 7 : HOOK
- 8 : CM

ADJUSTMENT

Adjustment Location

■ Switch



■ Note

• Flash memory

The firmware program (User mode, Test mode, Tuning mode, etc.), the data programmed and security number (MPT serial number) by the FPU (KPG-62D) for the flash memory, is stored in memory. When parts are changed, program the data again.

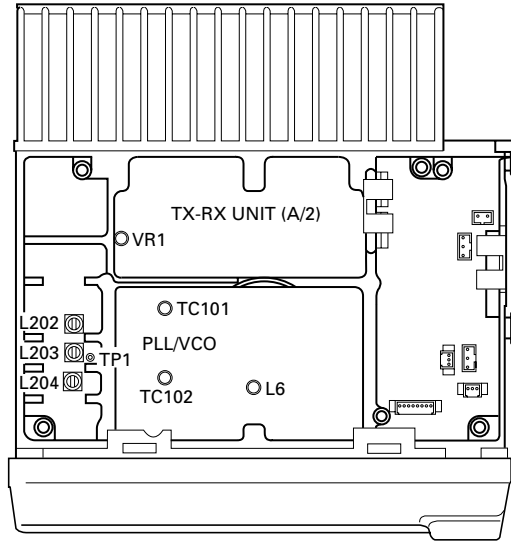
• EEPROM

The tuning data (Deviation, Squelch, etc.) for the EEPROM, is stored in memory. When parts are changed, readjust the transceiver.

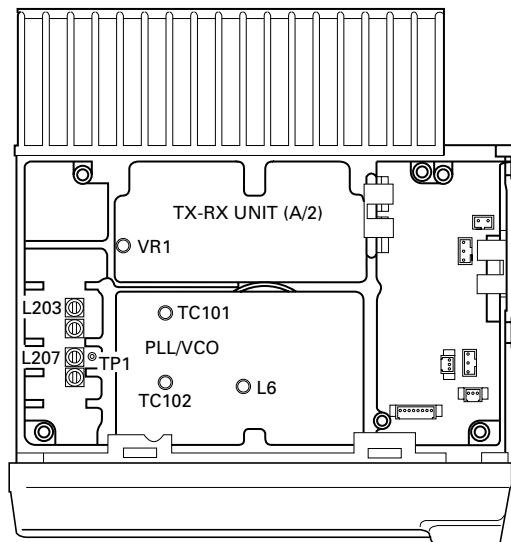
■ Repair Jig (Chassis)

Use jig (Part No. : A10-4010-02) for repairing the TK-785. The jig facilitates the voltage check when the voltage on the component side TX-RX unit is checked during repairs.

■ Adjustment Point (K,E)



■ Adjustment Point (M)



Common Section

Item	Condition	Measurement			Adjustment			Specifications/Remarks
		Test-equipment	Unit	Terminal	Unit	Parts	Method	
1. PLL lock voltage	1) Set test mode CH : CH3 - Sig1 PTT : OFF (Receive) PTT : ON (Transmit)	DVM Power meter	TX-RX (A/2)	TP1	PLL	TC101	1.5V (Receive)	±0.1V
	TC102					1.5V (Transmit)		
	2) CH : CH2 - Sig1 PTT : OFF (Receive) PTT : ON (Transmit)					Check	8.0V or less	

ADJUSTMENT

Receiver Section

Item	Condition	Measurement			Adjustment			Specifications/Remarks
		Test-equipment	Unit	Terminal	Unit	Parts	Method	
1. Discriminator	1) Set test mode CH : CH1 - Sig1 SSG output : -53dBm AF : 1.4V/4Ω	SSG AF VTVM Oscilloscope	Rear panel	ANT ACC (EXT.SP)	TX-RX (A/2)	L6	AF output voltage maximum.	
2. Sensitivity	1) Set test mode Select "SENS" in tuning mode. "L SENS" SSG freq' : 217.05MHz K,E : 250.05MHz M SSG output : -118dBm/0.31μV SSG MOD : 1.5kHz AF output : 1V/4Ω	SSG AF VTVM Distortion meter Oscilloscope AG		ANT ACC (EXT.SP)			Adjust for maximum SINAD.	
	2) "C SENS" SSG freq' : 226.05MHz K,E : 260.05MHz M						Adjust for maximum SINAD.	
	3) "H SENS" SSG freq' : 234.95MHz K,E : 269.95MHz M						Adjust for maximum SINAD.	
3. Squelch	1) Set test mode Select "L SQL" in tuning mode. SSG freq' : 217.05MHz K,E : 250.05MHz M SSG output : Sensitivity value of 12dB SINAD. SSG MOD : 1.5kHz						Squelch must be closed once. Then adjust for squelch open point.	
	2) "C SQL" SSG freq' : 226.05MHz K,E : 260.05MHz M							
	3) "H SQL" SSG freq' : 234.95MHz K,E : 269.95MHz M							
4. RSSI (Low)	1) Set test mode Select "L LRSI" in tuning mode. SSG freq' : 217.05MHz K,E : 250.05MHz M SSG output : Sensitivity value of 12dB SINAD. SSG MOD : 1.5kHz						Writing values only.	
	2) "C LRSI" SSG freq' : 226.05MHz K,E : 260.05MHz M							
	3) "H LRSI" SSG freq' : 234.95MHz K,E : 269.95MHz M							

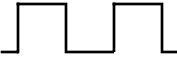
ADJUSTMENT

Item	Condition	Measurement			Adjustment			Specifications/Remarks
		Test-equipment	Unit	Terminal	Unit	Parts	Method	
5. RSSI (High)	1) Set test mode Select "L HRSI" in tuning mode. SSG freq' : 217.05MHz K,E : 250.05MHz M SSG output : -70dBm SSG MOD : 1.5kHz	SSG AF VTVM Distortion meter Oscilloscope AG	Rear panel	ANT ACC (EXT.SP)			Writing values only.	
	2) "C HRSI" SSG freq' : 226.05MHz K,E : 260.05MHz M							
	3) "H HRSI" SSG freq' : 234.95MHz K,E : 269.95MHz M							
6. Squelch check	1) Set test mode CH : CH1 - Sig1 SSG freq' : 226.05MHz K,E : 260.05MHz M SSG output : 15dB SINAD level					Check	Squelch must be opened.	
	2) SSG output : OFF						Squelch must be closed.	
7. QT check	1) Set test mode CH : CH1 - Sig5 SSG freq' : 226.05MHz K,E : 260.05MHz M SSG MOD INT : 1kHz EXT : 151.4Hz SSG system MOD DEV : ±1.85kHz SSG output : 12dB SINAD level					Check	Squelch must be opened.	
	2) CH : CH1 - Sig4 CH1 - Sig6 CH1 - Sig7						Squelch must be closed.	

Transmitter Section

Item	Condition	Measurement			Adjustment			Specifications/Remarks
		Test-equipment	Unit	Terminal	Unit	Parts	Method	
1. Frequency	1) Set test mode Select "FREQ" in tuning mode. PTT : ON	Power meter F. counter	Rear panel	ANT			Check	226.1MHz±100Hz K,E 260.1MHz±100Hz M
2. Power output	1) Maximum power Set test mode Select "HPOW" in tuning mode. "L HPOW 256" K,E "H HPOW 256" M PTT : ON							

ADJUSTMENT

Item	Condition	Measurement			Adjustment			Specifications/Remarks
		Test-equipment	Unit	Terminal	Unit	Parts	Method	
3. High power	1) Set test mode Select "HPOW" in tuning mode. "L HPOW" PTT : ON	Power meter F. counter	Rear panel	ANT			10.0W K 15.0W E 25.0W M	±1.0W
	2) "L2 HPOW" PTT : ON							
	3) "C HPOW" PTT : ON							
	4) "H2 HPOW" PTT : ON							
	5) "H HPOW" PTT : ON							
4. Low power	1) Set test mode Select "LPOW" in tuning mode. "L LPOW" PTT : ON	Power meter					5.0W	±0.5W
	2) "L2 LPOW" PTT : ON							
	3) "C LPOW" PTT : ON							
	4) "H2 LPOW" PTT : ON							
	5) "H LPOW" PTT : ON							
5. Power check	1) Set test mode CH : CH1 - Sig1 CH2 - Sig1 CH3 - Sig1 PTT : ON	Power meter		ANT			Check	10W±1W, 6A or less K 15W±1W, 6A or less E 25W±1W, 8A or less M
		Ammeter		DC IN				
6. Modulation balance	1) Set test mode MIC input : OFF Select "BAL" in tuning mode. "L BAL" Deviation meter filter LPF : 3kHz HPF : OFF De-emphasis : OFF	Power meter Deviation meter Oscilloscope	Rear panel	ANT			Make the de-modulation waveform near.	
	2) "C BAL" PTT : ON	AF VTVM AG	Front panel	MIC				
	3) "H BAL" PTT : ON							
7. Maximum deviation	1) Set test mode Connect AG to the MIC terminal. Select "MAX" in tuning mode. "L MAX" AG : 1kHz/40mV Deviation meter filter LPF : 15kHz HPF : OFF De-emphasis : OFF PTT : ON						2.05kHz (According to the larger +, -)	+0Hz/-50Hz
	2) "C MAX" PTT : ON							
	3) "H MAX" PTT : ON							

ADJUSTMENT

Item	Condition	Measurement			Adjustment			Specifications/Remarks
		Test-equipment	Unit	Terminal	Unit	Parts	Method	
8. MIC sensitivity check	1) Set test mode CH : CH1 - Sig1 AG : 1kHz/4mV PTT : ON	Power meter Deviation meter Oscilloscope	Rear panel	ANT			Check	$\pm 1.5\text{kHz} \pm 0.05\text{kHz}$
9. QT deviation	1) Set test mode Select "QT" in tuning mode. "L QT" Deviation meter filter LPF : 3kHz HPF : OFF PTT : ON	AF VTVM AG	Front panel	MIC			0.35kHz	$\pm 50\text{Hz}$
	2) "C QT" PTT : ON							
	3) "H QT" PTT : ON							
10. DQT deviation	1) Set test mode Select "DQT" in tuning mode. "L DQT" Deviation meter filter LPF : 3kHz HPF : OFF PTT : ON						0.35kHz	$\pm 50\text{Hz}$
	2) "C DQT" PTT : ON							
	3) "H DQT" PTT : ON							
11. DTMF deviation	1) Set test mode Select "DTMF" in tuning mode. Deviation meter filter LPF : 15kHz HPF : OFF PTT : ON						1.5kHz	$\pm 0.1\text{kHz}$
12. FFSK deviation	1) Set test mode Select "FFSK" in tuning mode. Deviation meter filter LPF : 15kHz HPF : OFF PTT : ON						1.5kHz	$\pm 0.1\text{kHz}$
13. TONE deviation	1) Set test mode Select "TONE" in tuning mode. Deviation meter filter LPF : 15kHz HPF : OFF PTT : ON						1.5kHz	$\pm 0.1\text{kHz}$

TERMINAL FUNCTION

CN7 (TX-RX Unit) ↔ CN502 (Control Unit)

Pin No.	Name	Function
1	W/N	No function.
2	T/R	TX/RX switch. H : Receive
3	MO	Modulation signal.
4	TO	Low speed data signal.
5	BEEP	Beep.
6	8R	NC (8V)
7	PSW	Power switch.
8	DEO	Receive signal to control unit.
9	MM	MIC mute. H : MIC mute
10	AFO	Receive signal from control unit.
11	ME	MIC ground.
12	MI	External MIC.
13	AHK	Hook signal. H : Off hook
14	IGN	Ignition signal.
15	SB	13.2V (E), 13.6V (K,M).
16	SB	13.2V (E), 13.6V (K,M).
17	8C	8V.
18	KEY	TX signal.
19	CK	Shift register clock.
20	DT	PLL/Shift register/DA converter data.
21	RSSI	RSSI signal.
22	LD	PLL unlock detection.
23	ES	Shift register enable.
24	EP	PLL enable signal.
25	EN	DA converter enable signal.
26	APTT	No function.
27	CP	PLL clock.
28	DTC	No function.
29	TXD	Serial data
30	RXD	Serial data.
31	OE	Serial data.
32	FSW	Foot switch signal.
33	E	Ground.

CN101 (VCO) ↔ TX-RX Unit

Pin No.	Name	Function
1	ST	Switched transmit input. H : Transmit
2	HT	RF output.
3	E	Ground.
4	9CL	9V input.
5	8CL	8V input.
6	MD	Modulation input.
7	CV	Control voltage input.

CN501 (Control Unit)

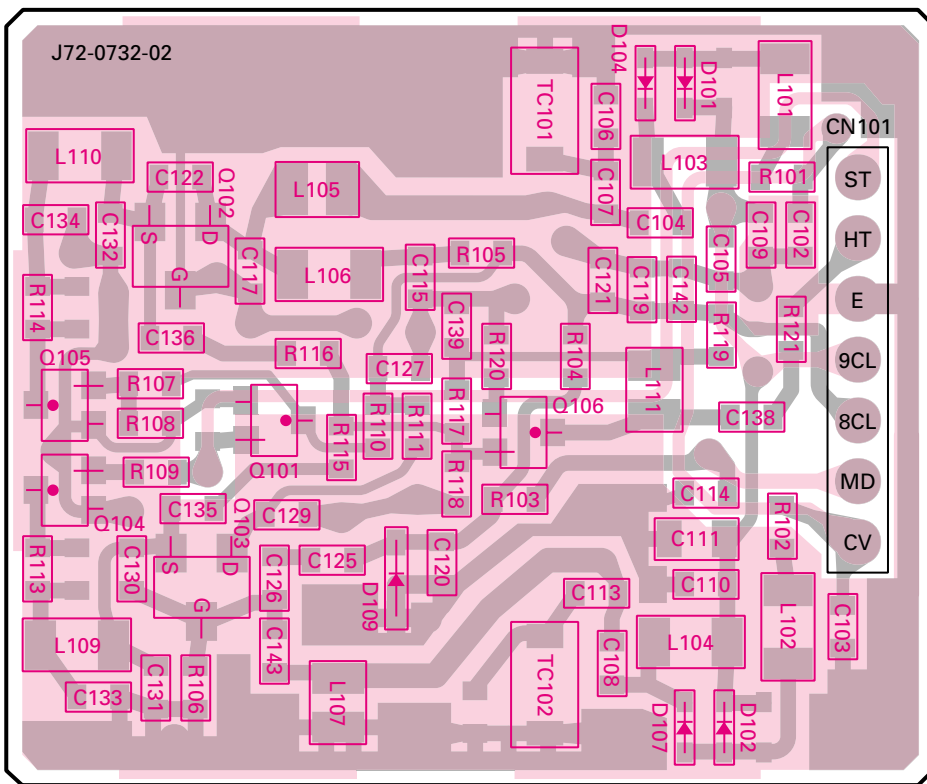
Pin No.	Name	Function
1	E	Ground.
2	5C	Logic power (5V).
3	CS	Chip selector signal. L : Option
4	CK	Serial clock signal.
5	SID	Serial data input.
6	(NC)	Unused terminal.
7	(NC)	Unused terminal.
8	LED(A)	LED anode terminal.
9	LED(K)	LED cathode terminal.
10	NC	Unused terminal.

J501 (Control Unit)

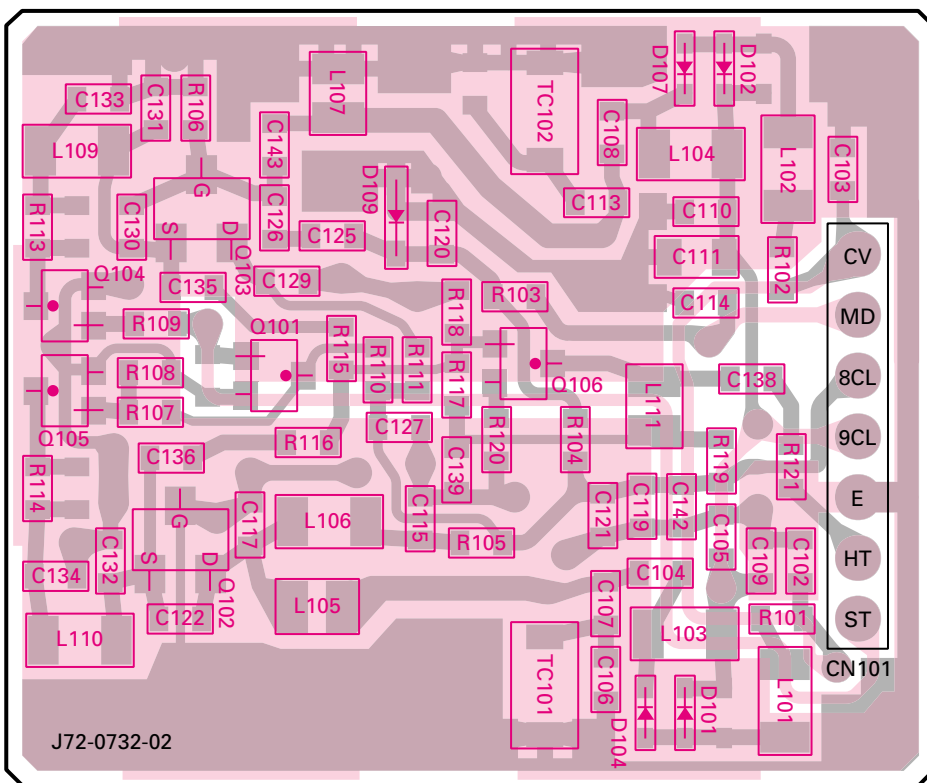
Pin No.	Name	Function
1	BLC	MIC key backlight control.
2	PSB	13.2V (E), 13.6V (K,M).
3	E	Ground.
4	PTT/TXD	PTT.
5	ME	MIC ground.
6	MIC	MIC signal input.
7	HOOK/RXD	Hook detection
8	CM	MIC data detection.

TK-785 PC BOARD VIEWS

PLL/VCO (X58-471X-XX) 0-21 : M 2-71 : K,E Component side view



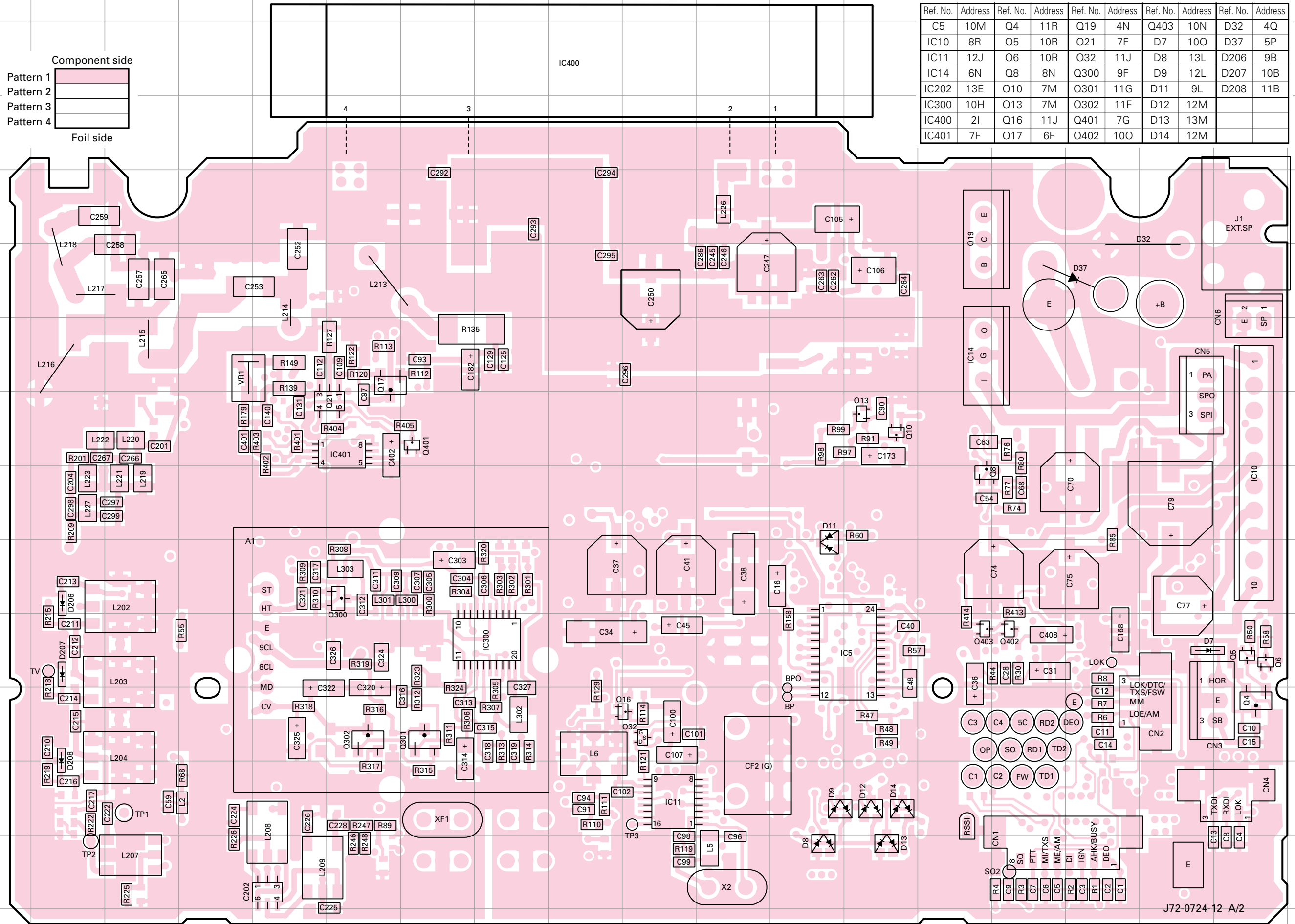
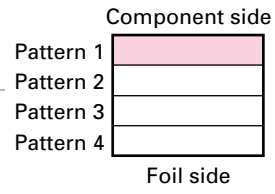
PLL/VCO (X58-471X-XX) 0-21 : M 2-71 : K,E Foil side view



TX-RX UNIT (X57-6142-71) (A/2) Component side view

PC BOARD VIEW TK-785 K,E

Ref. No.	Address	Ref. No.	Address	Ref. No.	Address	Ref. No.	Address	Ref. No.	Address
C5	10M	Q4	11R	Q19	4N	Q403	10N	D32	4Q
IC10	8R	Q5	10R	Q21	7F	D7	10Q	D37	5P
IC11	12J	Q6	10R	Q32	11J	D8	13L	D206	9B
IC14	6N	Q8	8N	Q300	9F	D9	12L	D207	10B
IC202	13E	Q10	7M	Q301	11G	D11	9L	D208	11B
IC300	10H	Q13	7M	Q302	11F	D12	12M		
IC400	2I	Q16	11J	Q401	7G	D13	13M		
IC401	7F	Q17	6F	Q402	10O	D14	12M		

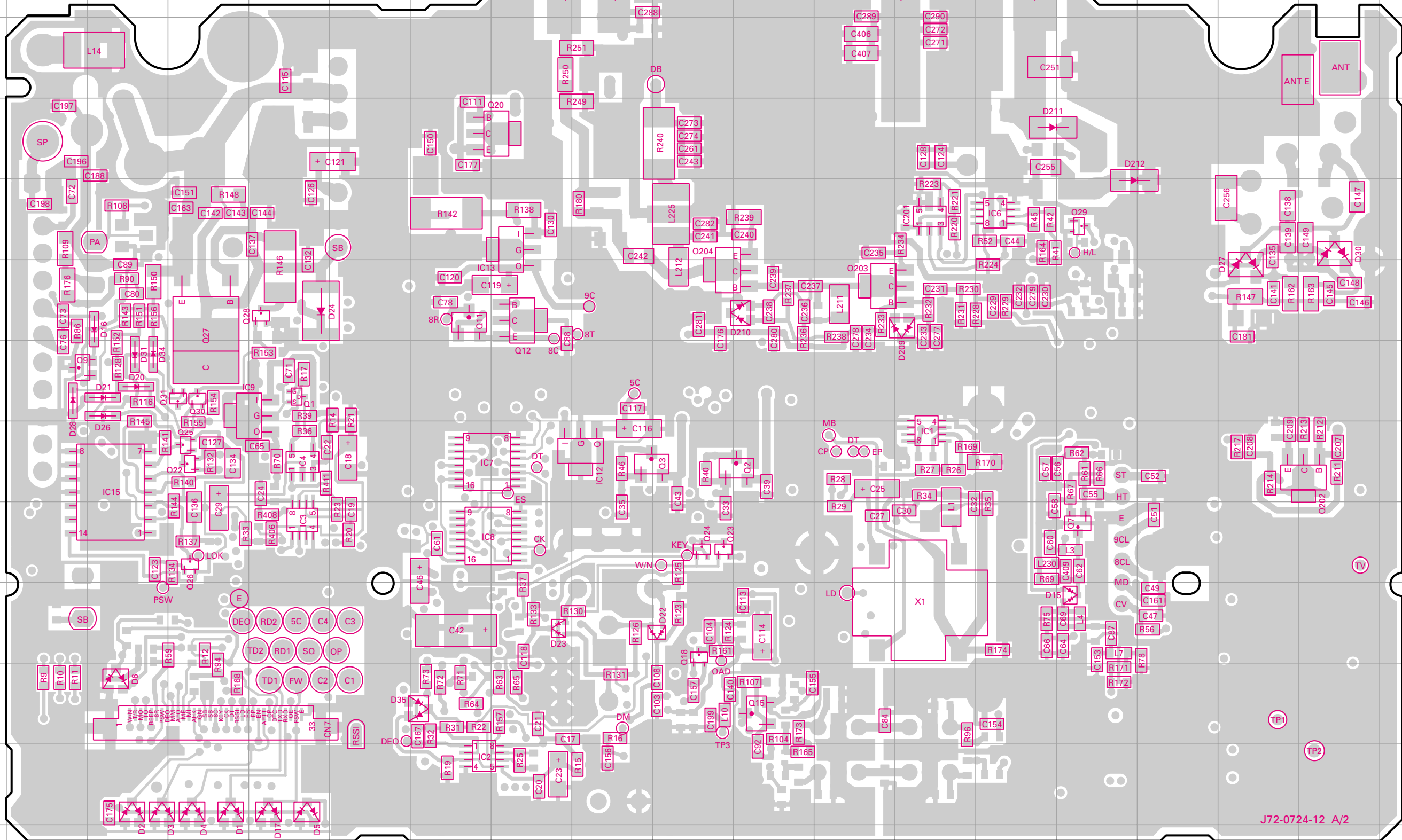
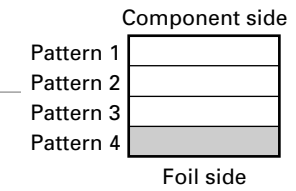
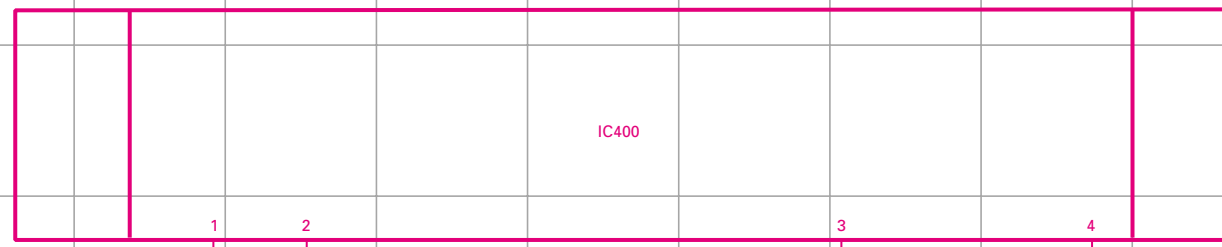


J72-0724-12 A/2

TK-785 K,E PC BOARD VIEW

TX-RX UNIT (X57-6142-71) (A/2) Foil side view

Ref. No.	Address	Ref. No.	Address	Ref. No.	Address	Ref. No.	Address	Ref. No.	Address	Ref. No.	Address	Ref. No.	Address
IC1	9M	IC13	6H	Q11	7G	Q26	10D	D1	13D	D20	8C	D31	8C
IC2	13G	IC15	9C	Q12	7H	Q27	7D	D2	13C	D21	8C	D34	8C
IC3	10E	IC201	6M	Q15	12K	Q28	7E	D3	13C	D22	11J	D35	12G
IC4	9E	IC400	2K	Q18	11J	Q29	6O	D4	13D	D23	11H	D209	7M
IC6	6N	Q1	8E	Q20	5H	Q30	8D	D5	13E	D24	7E	D210	7K
IC7	9G	Q2	9K	Q22	9D	Q31	8D	D6	12C	D26	8C	D211	5N
IC8	10G	Q3	9J	Q23	10J	Q202	9R	D15	11O	D27	7Q	D212	6O
IC9	8E	Q7	10O	Q24	10J	Q203	7L	D16	7C	D28	8B		
IC12	9I	Q9	8B	Q25	9D	Q204	7J	D17	13E	D30	6R		

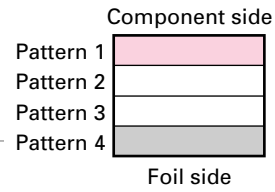


PC BOARD VIEW TK-785 K,E

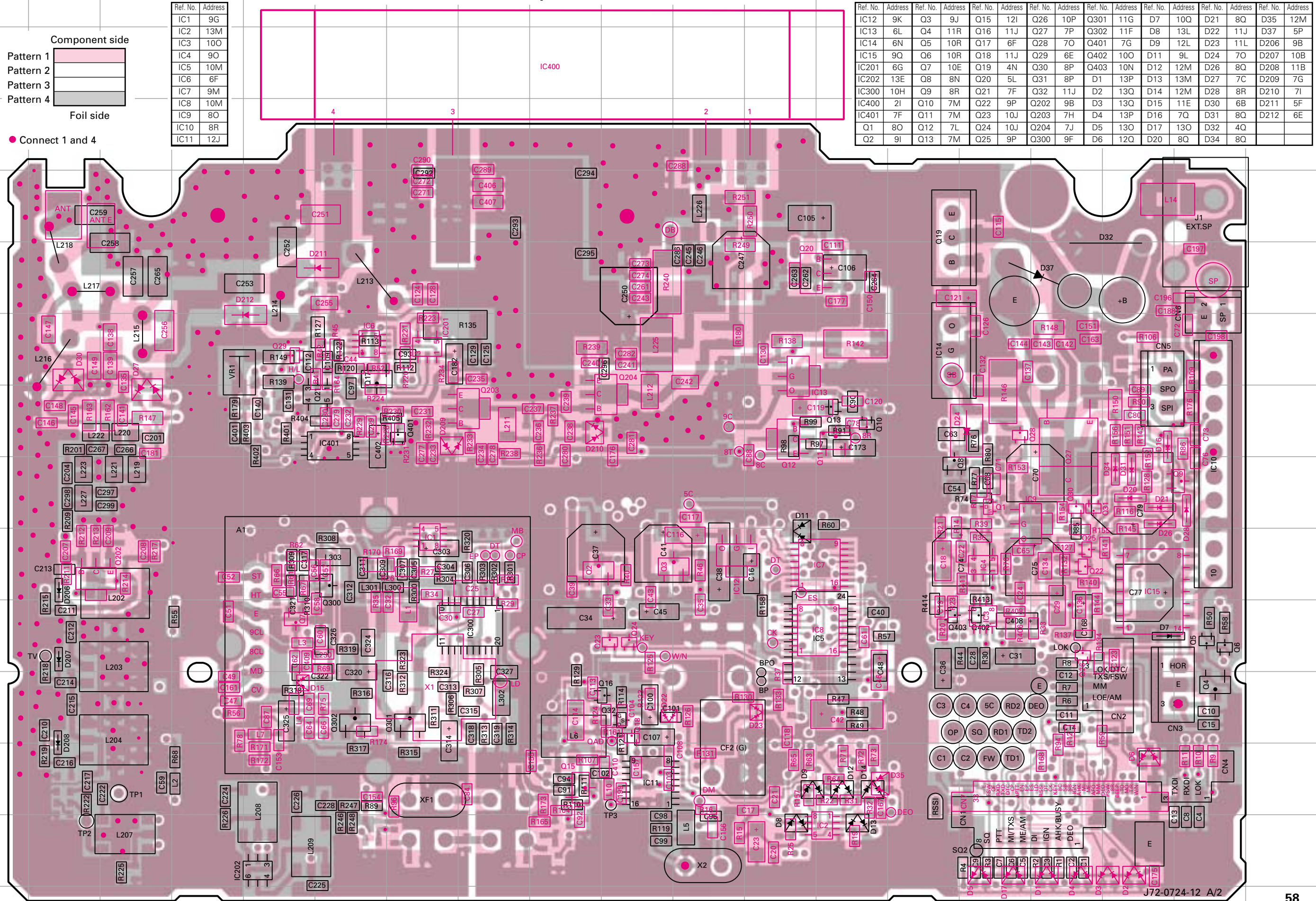
TX-RX UNIT (X57-6142-71) (A/2) Component side view + Foil side

Ref. No.	Address
IC1	9G
IC2	13M
IC3	10O
IC4	9O
IC5	10M
IC6	6F
IC7	9M
IC8	10M
IC9	8O
IC10	8R
IC11	12J

Ref. No.	Address	Ref. No.	Address	Ref. No.	Address	Ref. No.	Address	Ref. No.	Address	Ref. No.	Address	Ref. No.	Address	Ref. No.	Address
IC12	9K	Q3	9J	Q15	12I	Q26	10P	Q301	11G	D7	10Q	D21	8Q	D35	12M
IC13	6L	Q4	11R	Q16	11J	Q27	7P	Q302	11F	D8	13L	D22	11J	D37	5P
IC14	6N	Q5	10R	Q17	6F	Q28	7O	Q401	7G	D9	12L	D23	11L	D206	9B
IC15	9Q	Q6	10R	Q18	11J	Q29	6E	Q402	10O	D11	9L	D24	7O	D207	10B
IC201	6G	Q7	10E	Q19	4N	Q30	8P	Q403	10N	D12	12M	D26	8Q	D208	11B
IC202	13E	Q8	8N	Q20	5L	Q31	8P	D1	13P	D13	13M	D27	7C	D209	7G
IC300	10H	Q9	8R	Q21	7F	Q32	11J	D2	13Q	D14	12M	D28	8R	D210	7I
IC400	2I	Q10	7M	Q22	9P	Q202	9B	D3	13Q	D15	11E	D30	6B	D211	5F
IC401	7F	Q11	7M	Q23	10J	Q203	7H	D4	13P	D16	7Q	D31	8Q	D212	6E
Q1	8O	Q12	7L	Q24	10J	Q204	7J	D5	13O	D17	13O	D32	4O		
Q2	9I	Q13	7M	Q25	9P	Q300	9F	D6	12Q	D20	8Q	D34	8Q		



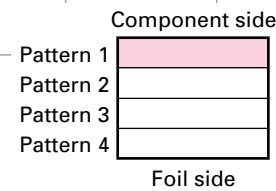
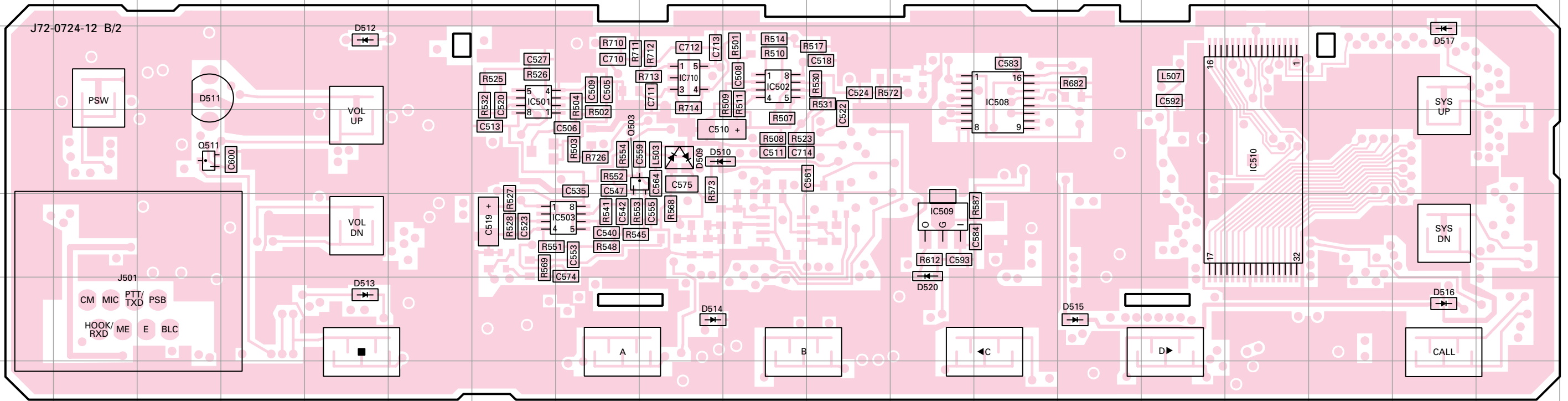
● Connect 1 and 4



J72-0724-12 A/2

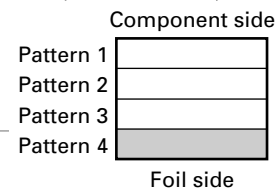
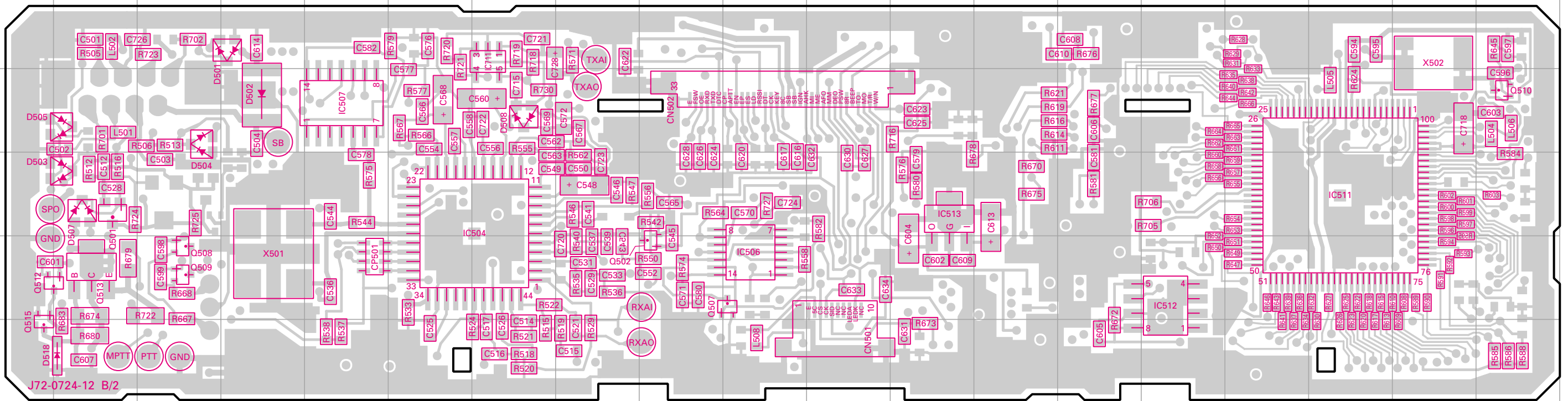
TK-785 K,E PC BOARD VIEWS

TX-RX UNIT (X57-6142-71) (B/2) Component side view



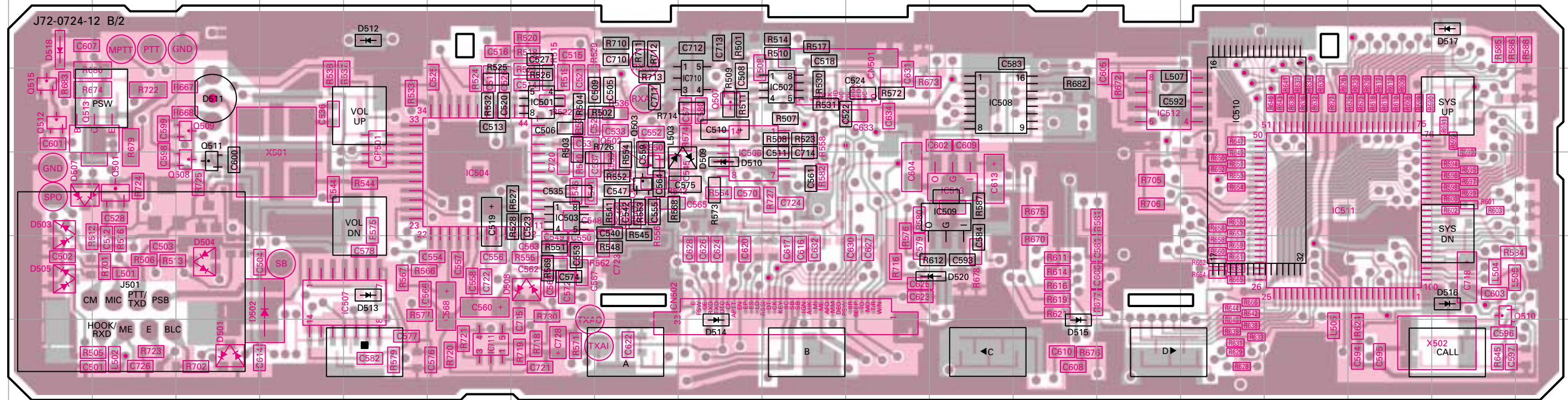
Ref. No.	Address	Ref. No.	Address	Ref. No.	Address	Ref. No.	Address	Ref. No.	Address	Ref. No.	Address	Ref. No.	Address
IC501	2G	IC508	2M	IC710	2I	D509	3I	D512	2E	D515	5N	D520	4L
IC502	2J	IC509	4L	Q503	3H	D510	3I	D513	5E	D516	5R		
IC503	4H	IC510	3P	Q511	3C	D511	2C	D514	5I	D517	2R		

TX-RX UNIT (X57-6142-71) (B/2) Foil side view

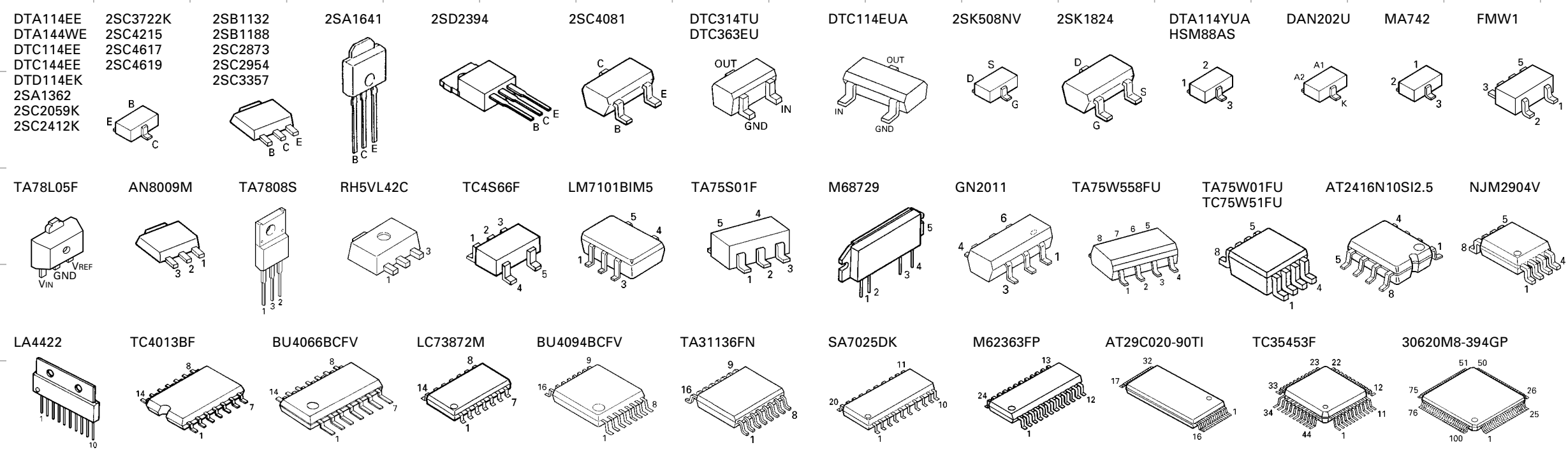
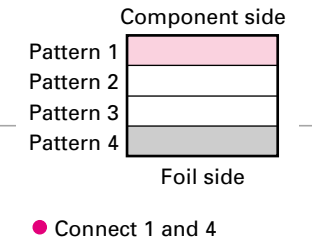


Ref. No.	Address	Ref. No.	Address	Ref. No.	Address	Ref. No.	Address	Ref. No.	Address	Ref. No.	Address	Ref. No.	Address
IC504	10G	IC511	10Q	IC711	8G	Q507	11J	Q510	9S	Q515	12A	D503	10B
IC506	11J	IC512	11O	Q501	10B	Q508	11C	Q512	11A	D501	8D	D504	9C
IC507	9E	IC513	10L	Q502	11I	Q509	11C	Q513	11B	D502	9D	D505	9B

TX-RX UNIT (X57-6142-71) (B/2) Component side view + Foil side



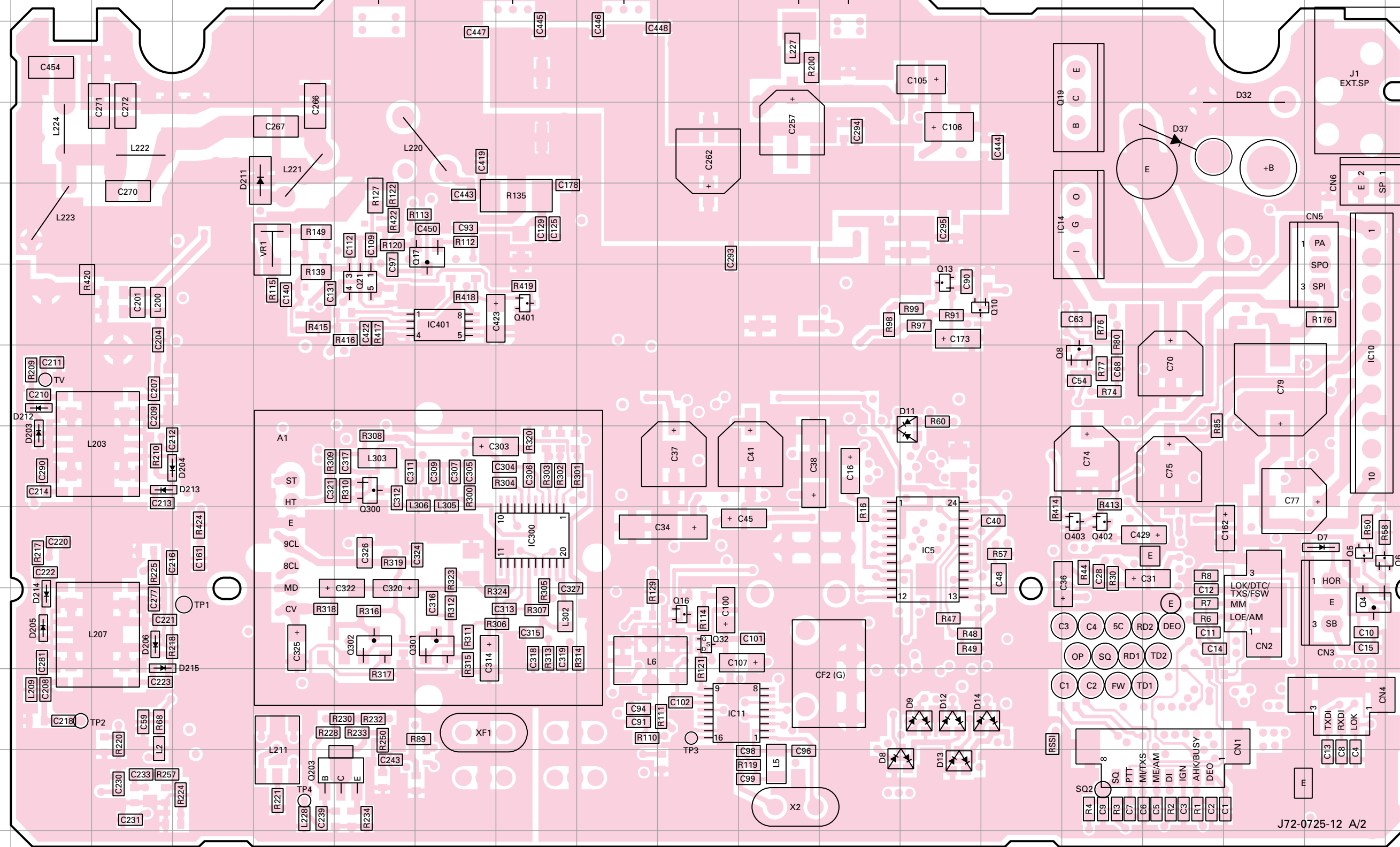
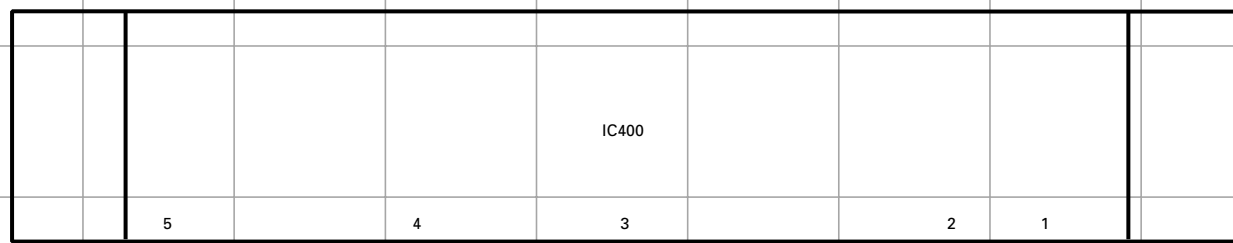
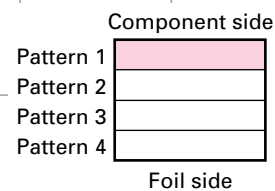
Ref. No.	Address	Ref. No.	Address	Ref. No.	Address	Ref. No.	Address	Ref. No.	Address	Ref. No.	Address	Ref. No.	Address
IC501	3G	IC509	4L	Q501	4B	Q511	4C	D504	5C	D512	2E	D520	5L
IC502	3J	IC510	3O	Q502	4H	Q512	3A	D505	5A	D513	5E		
IC503	4G	IC511	4P	Q503	4H	Q513	3B	D507	4A	D514	6I		
IC504	4F	IC512	3N	Q507	3I	Q515	3A	D508	5G	D515	6M		
IC506	4I	IC513	4L	Q508	4C	D501	6C	D509	4I	D516	5R		
IC507	5E	IC710	3I	Q509	3C	D502	5D	D510	4I	D517	2R		
IC508	3L	IC711	6F	Q510	5R	D503	4A	D511	3C	D518	2A		



TK-785 M PC BOARD VIEW

TX-RX UNIT (X57-6150-21) (A/2) Component side view

Ref. No.	Address	Ref. No.	Address	Ref. No.	Address	Ref. No.	Address	Ref. No.	Address
IC5	10M	Q6	10S	Q203	13F	D9	12M	D205	11B
IC10	8R	Q8	8O	Q300	9F	D11	9M	D206	11C
IC11	12J	Q10	7M	Q301	11G	D12	12M	D211	5E
IC14	6O	Q13	7M	Q302	11F	D13	13M	D212	8B
IC300	10H	Q16	11J	Q401	7H	D14	12N	D213	9C
IC400	2I	Q17	6G	Q402	10O	D32	4Q	D214	11B
IC401	7G	Q19	4O	Q403	10O	D37	5P	D215	12C
Q4	11R	Q21	7F	D7	10R	D203	9B		
Q5	10R	Q32	11J	D8	13M	D204	9D		

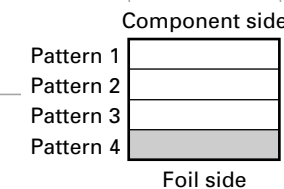


J72-0725-12 A/2

Ref. No.	Address	Ref. No.	Address	Ref. No.	Address	Ref. No.	Address	Ref. No.	Address	Ref. No.	Address	Ref. No.	Address
IC1	9M	IC13	6G	Q11	7G	Q26	10C	Q205	7J	D17	13D	D30	6R
IC2	13G	IC15	9C	Q12	7H	Q27	7D	D1	13D	D20	8C	D31	8C
IC3	10E	IC200	12Q	Q15	12K	Q28	7D	D2	13C	D21	8B	D34	8C
IC4	9E	IC400	2K	Q18	11J	Q29	6N	D3	13C	D22	11I	D35	12F
IC6	6M	Q1	8E	Q20	5G	Q30	8D	D4	13C	D23	11H	D207	7L
IC7	9G	Q2	9J	Q22	9C	Q31	8C	D5	13E	D24	7E	D209	5N
IC8	10G	Q3	9I	Q23	10J	Q201	10Q	D6	12C	D26	9B	D210	6O
IC9	8D	Q7	10N	Q24	10J	Q202	7M	D15	11N	D27	6P		
IC12	9H	Q9	8B	Q25	9C	Q204	7L	D16	7B	D28	8B		

TX-RX UNIT (X57-6150-21) (A/2) Foil side view

PC BOARD VIEW TK-785 M

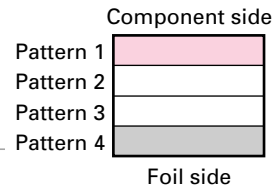


J72-0725-12 A/2

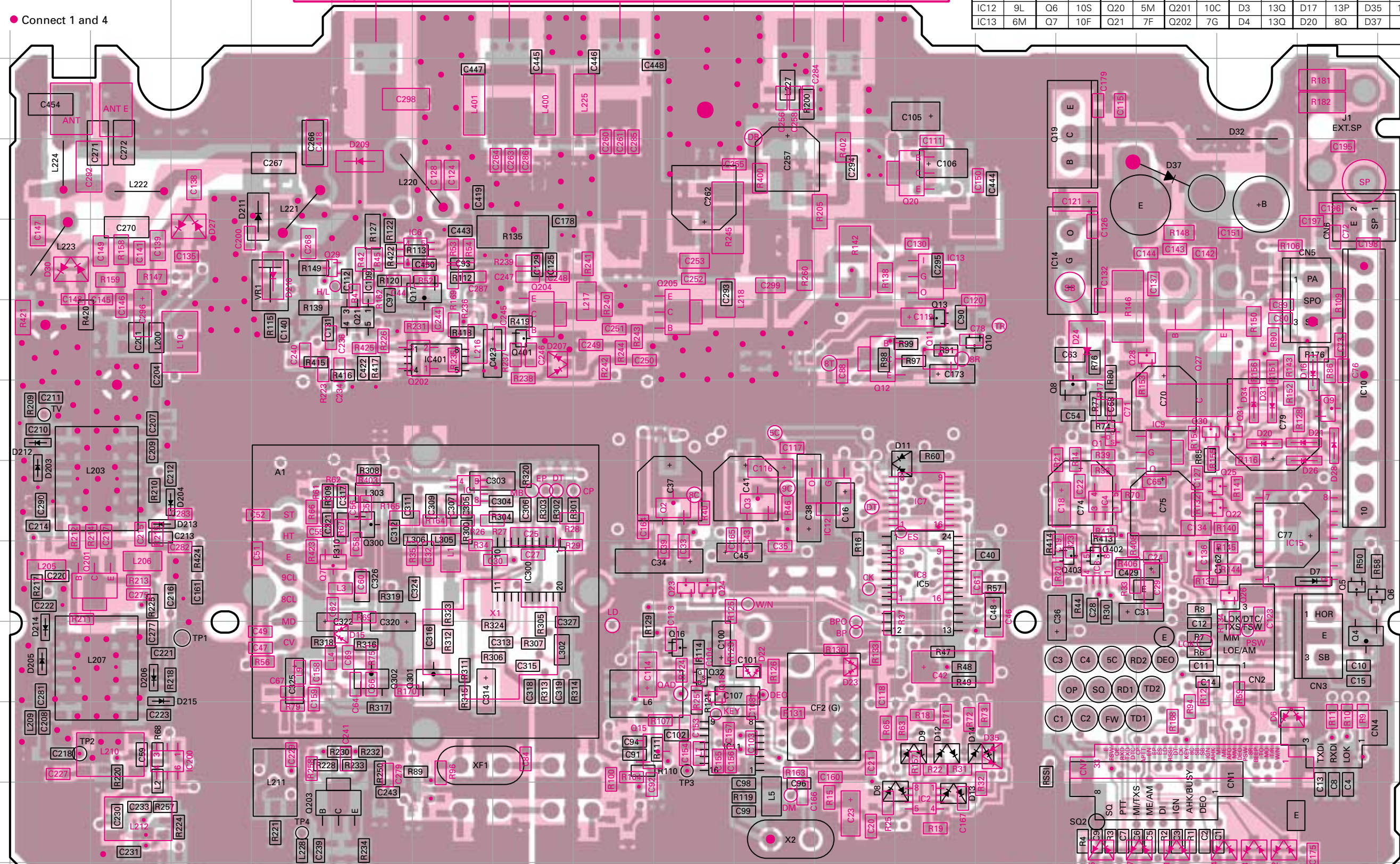
TK-785 M PC BOARD VIEW

TX-RX UNIT (X57-6150-21) (A/2) Component side view + Foil side

Ref. No.	Address	Ref. No.	Address	Ref. No.	Address	Ref. No.	Address	Ref. No.	Address	Ref. No.	Address	Ref. No.	Address	Ref. No.	Address
IC1	9G	IC14	6O	Q8	8O	Q22	9Q	Q203	13F	D5	13O	D21	8R	D203	9B
IC2	13M	IC15	9R	Q9	8R	Q23	10J	Q204	7H	D6	12Q	D22	11K	D204	9D
IC3	10O	IC200	12C	Q10	7M	Q24	10J	Q205	7J	D7	10R	D23	11L	D205	11B
IC4	9O	IC300	10H	Q11	7M	Q25	9Q	Q300	9F	D8	13M	D24	7O	D206	11C
IC5	10M	IC400	2I	Q12	7L	Q26	10Q	Q301	11G	D9	12M	D26	9R	D207	7H
IC6	6G	IC401	7G	Q13	7M	Q27	7P	Q302	11F	D11	9M	D27	6D	D209	5F
IC7	9M	Q1	8O	Q15	12I	Q28	7P	Q401	7H	D12	12M	D28	8R	D210	6E
IC8	10M	Q2	9J	Q16	11J	Q29	6F	Q402	10O	D13	13M	D30	6B	D211	5E
IC9	8P	Q3	9K	Q17	6G	Q30	8P	Q403	10O	D14	12N	D31	8Q	D212	8B
IC10	8R	Q4	11R	Q18	11J	Q31	8Q	D1	13P	D15	11F	D32	4Q	D213	9C
IC11	12J	Q5	10R	Q19	4O	Q32	11J	D2	13Q	D16	7R	D34	8Q	D214	11B
IC12	9L	Q6	10S	Q20	5M	Q201	10C	D3	13Q	D17	13P	D35	12N	D215	12C
IC13	6M	Q7	10F	Q21	7F	Q202	7G	D4	13Q	D20	8Q	D37	5P		

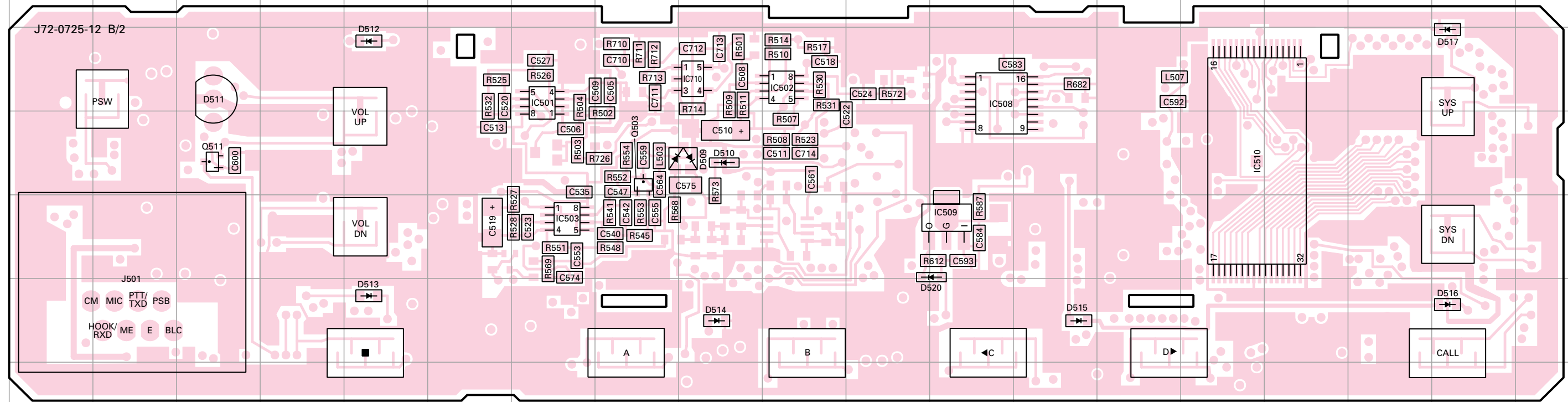


● Connect 1 and 4

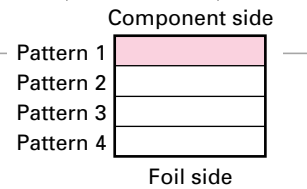


PC BOARD VIEWS TK-785 M

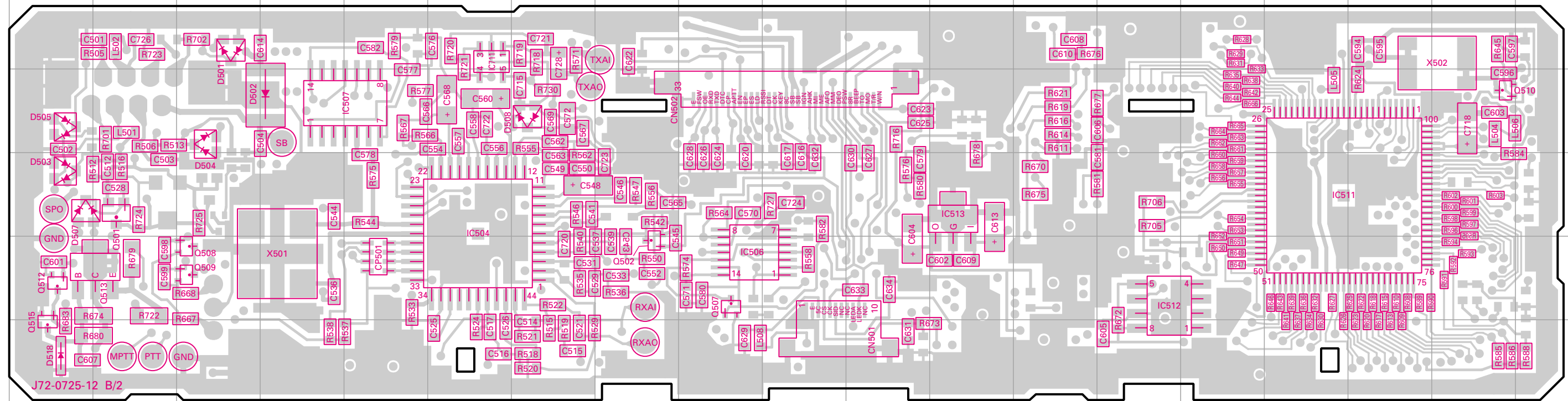
TX-RX UNIT (X57-6150-21) (B/2) Component side view



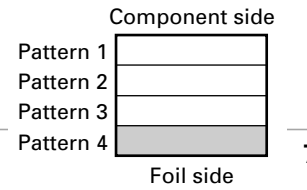
Ref. No.	Address	Ref. No.	Address	Ref. No.	Address	Ref. No.	Address	Ref. No.	Address	Ref. No.	Address	Ref. No.	Address
IC501	2G	IC508	2L	IC710	2I	D509	3I	D512	2E	D515	5M	D520	4L
IC502	2J	IC509	4L	Q503	3H	D510	3I	D513	5E	D516	5R		
IC503	4G	IC510	3O	Q511	3C	D511	2C	D514	5I	D517	2R		



TX-RX UNIT (X57-6150-21) (B/2) Foil side view

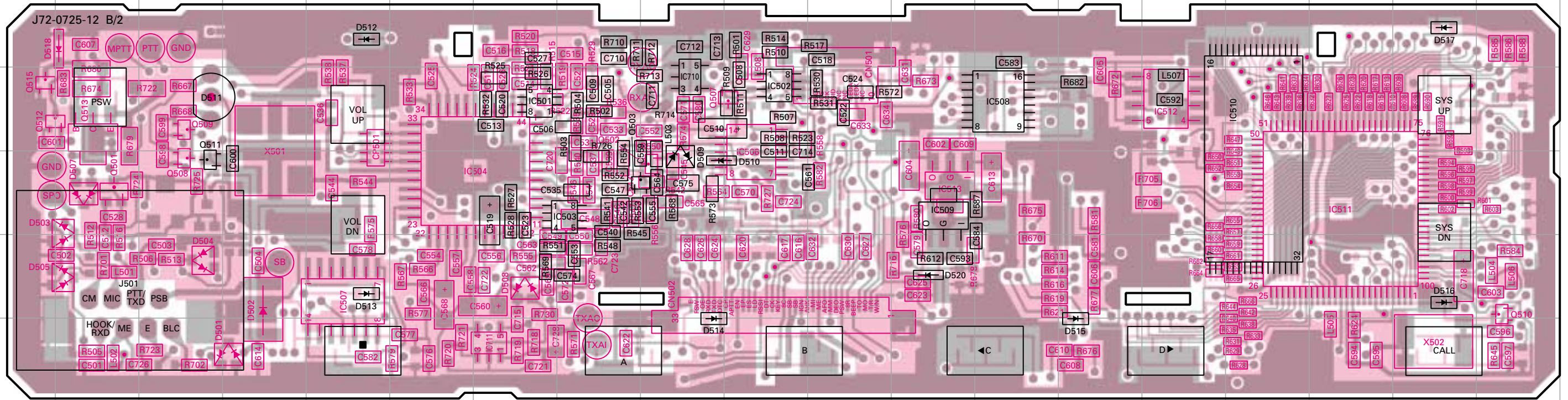


Ref. No.	Address	Ref. No.	Address	Ref. No.	Address	Ref. No.	Address	Ref. No.	Address	Ref. No.	Address	Ref. No.	Address
IC504	10F	IC511	10P	IC711	7F	Q507	11I	Q510	9R	Q515	12A	D503	10A
IC506	11I	IC512	11N	Q501	10B	Q508	11C	Q512	11A	D501	8C	D504	9C
IC507	9E	IC513	10L	Q502	11H	Q509	11C	Q513	11B	D502	9D	D505	9A
										D507	10A	D508	9G
										D518	12A		

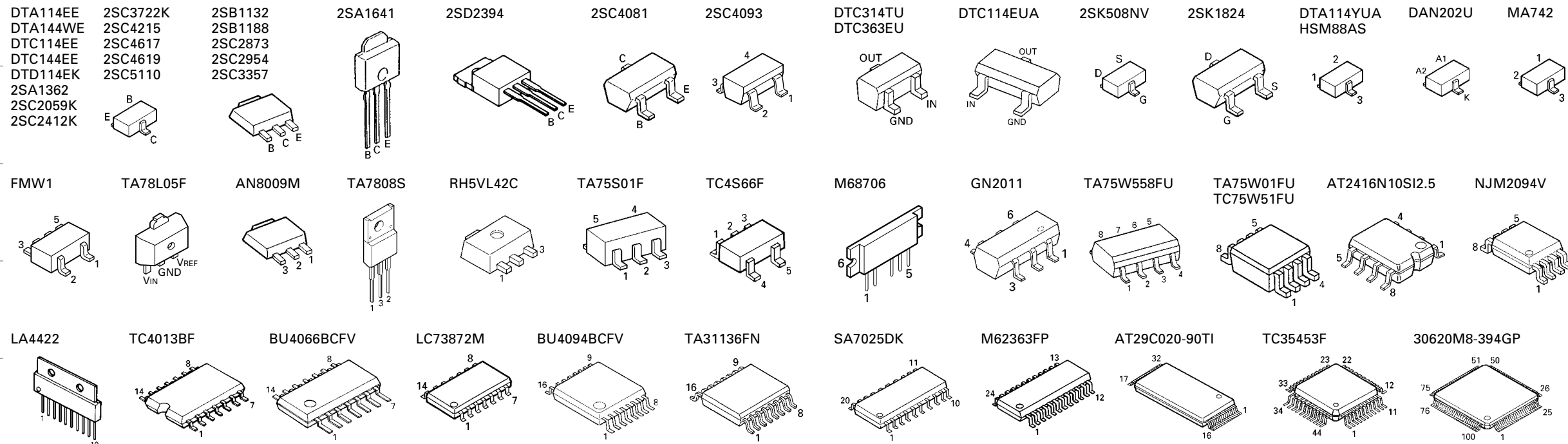
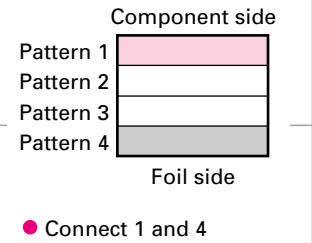


TK-785 M PC BOARD VIEW

TX-RX UNIT (X57-6150-21) (B/2) Component side view + Foil side

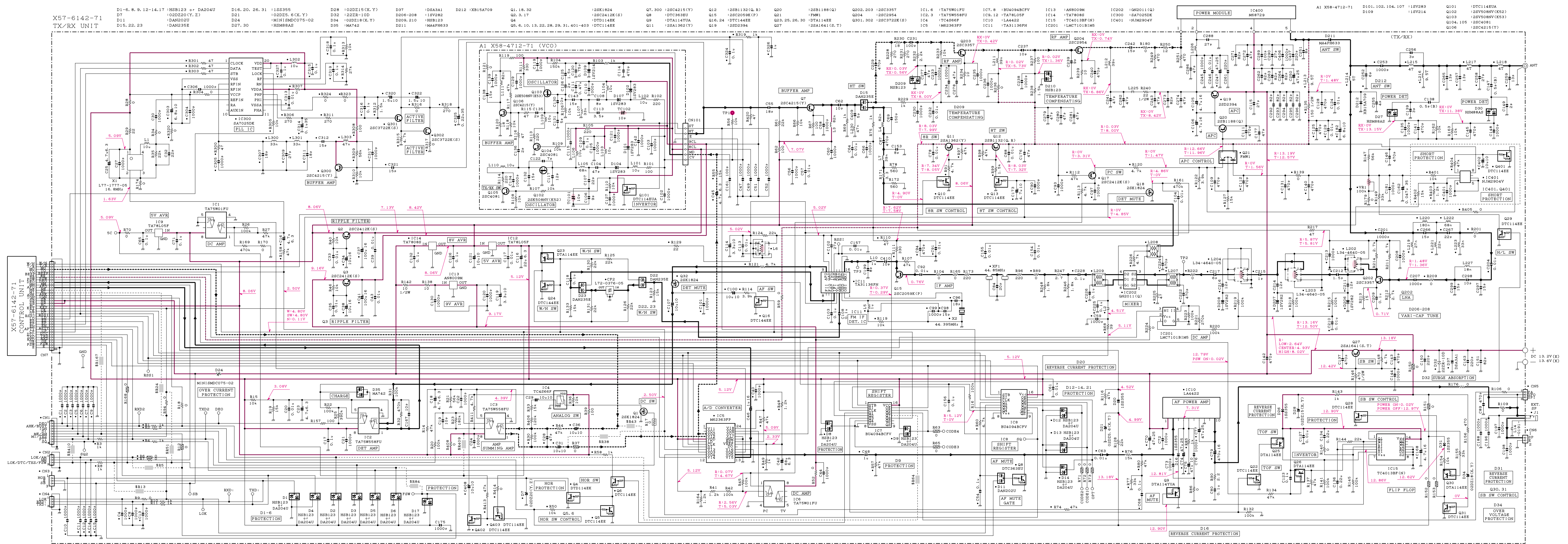


Ref. No.	Address	Ref. No.	Address	Ref. No.	Address	Ref. No.	Address	Ref. No.	Address	Ref. No.	Address	Ref. No.	Address
IC501	3G	IC509	4L	Q501	4B	Q511	4C	D504	5C	D512	2E	D520	5L
IC502	3J	IC510	3P	Q502	4I	Q512	3A	D505	5B	D513	5E		
IC503	4H	IC511	4Q	Q503	4H	Q513	3B	D507	4B	D514	6I		
IC504	4G	IC512	3O	Q507	3J	Q515	3A	D508	5G	D515	6N		
IC506	4J	IC513	4L	Q508	4C	D501	6D	D509	4I	D516	5R		
IC507	5E	IC710	3I	Q509	3C	D502	5D	D510	4J	D517	2R		
IC508	3M	IC711	6G	Q510	5S	D503	4B	D511	3C	D518	2B		



Note : Components marked with a dot (·) are parts of pattern 1.

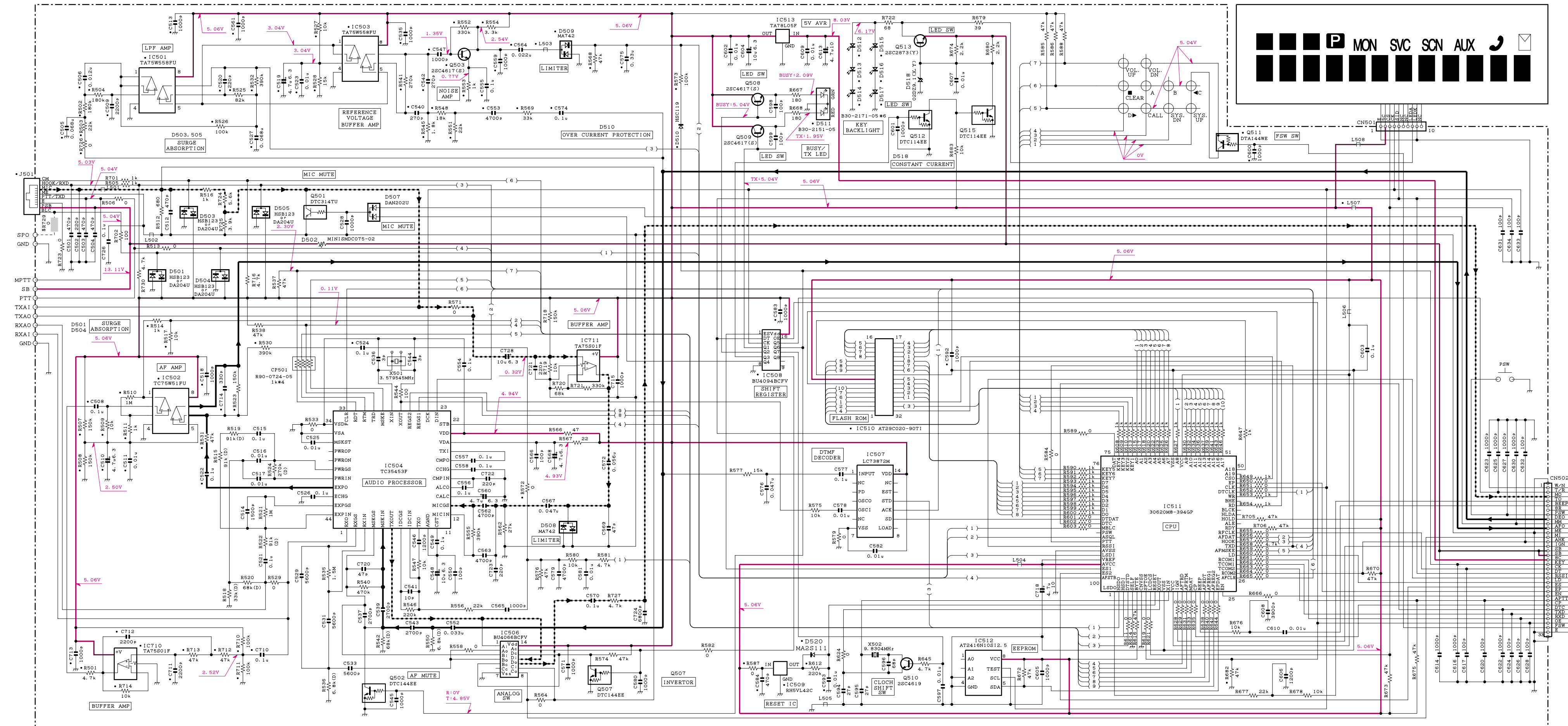
SCHEMATIC DIAGRAM TK-785 K,E



TK-785 K,E SCHEMATIC DIAGRAM

X57-6142-71 CONTROL UNIT

Note : Components marked with a dot (·) are parts of pattern 1.

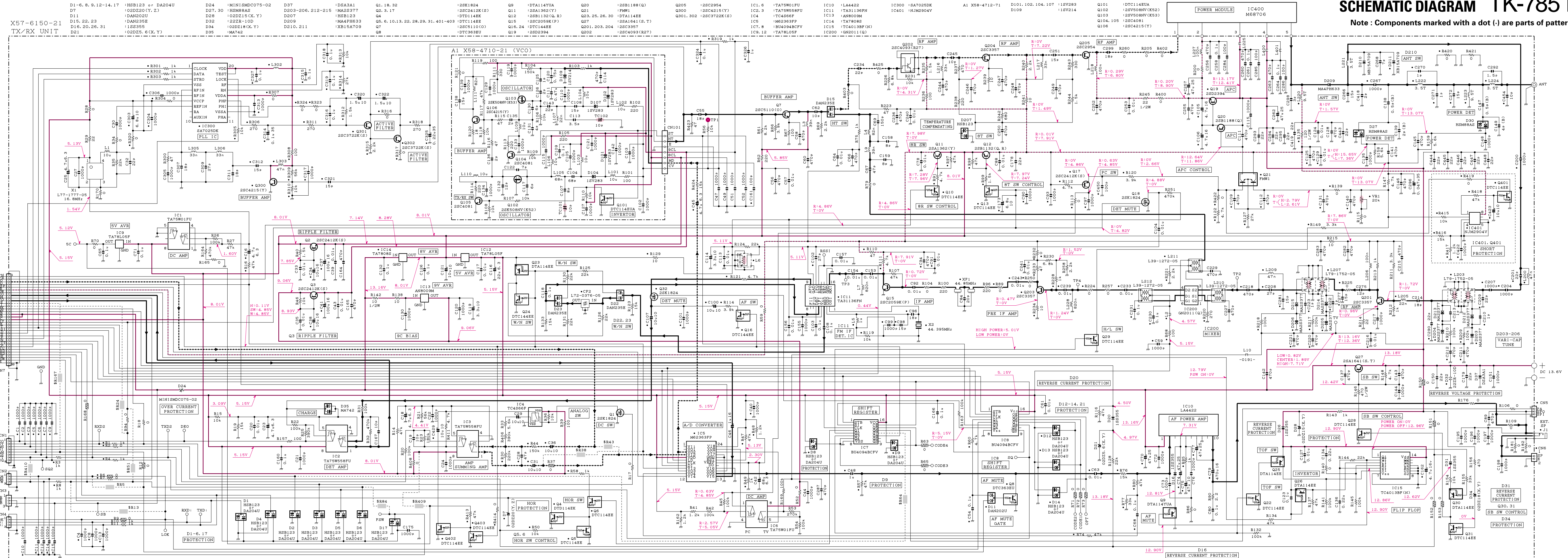


D501, 503-505 : HSB123 or DA204U D507 : DAN202U D510 : HSC119 D512-517 : B30-2171-05 D520 : MA2S111 Q501 : DTC314TU Q503, 508, 509 : 2SC4617(S) Q511 : DTA144WE Q513 : 2SC2873(Y) IC501, 503 : TA75W58FU IC504 : TC35453F IC507 : LC73872M IC509 : RH5V142C IC510 : AT29OC20-90T1 IC511 : 30620M8-3946P IC513 : TA78L05F D502 : MINISMDC075-02 D508, 509 : MA742 D511 : B30-2151-05 D518 : O2D29, 1(X,Y) Q502, 507 : DTC144EE Q510 : 2SC4619 Q512, 515 : DTC114EE IC502 : TC75W51FU IC506 : BU4066BCFV IC508 : BU4094BCFV IC510 : AT29OC20-90T1 IC512 : AT2416N10S12.5 IC710, 711 : TA75S01F

X57-6142-71
TX/RX UNIT

SCHEMATIC DIAGRAM TK-785 M

Note : Components marked with a dot (·) are parts of pattern 1.



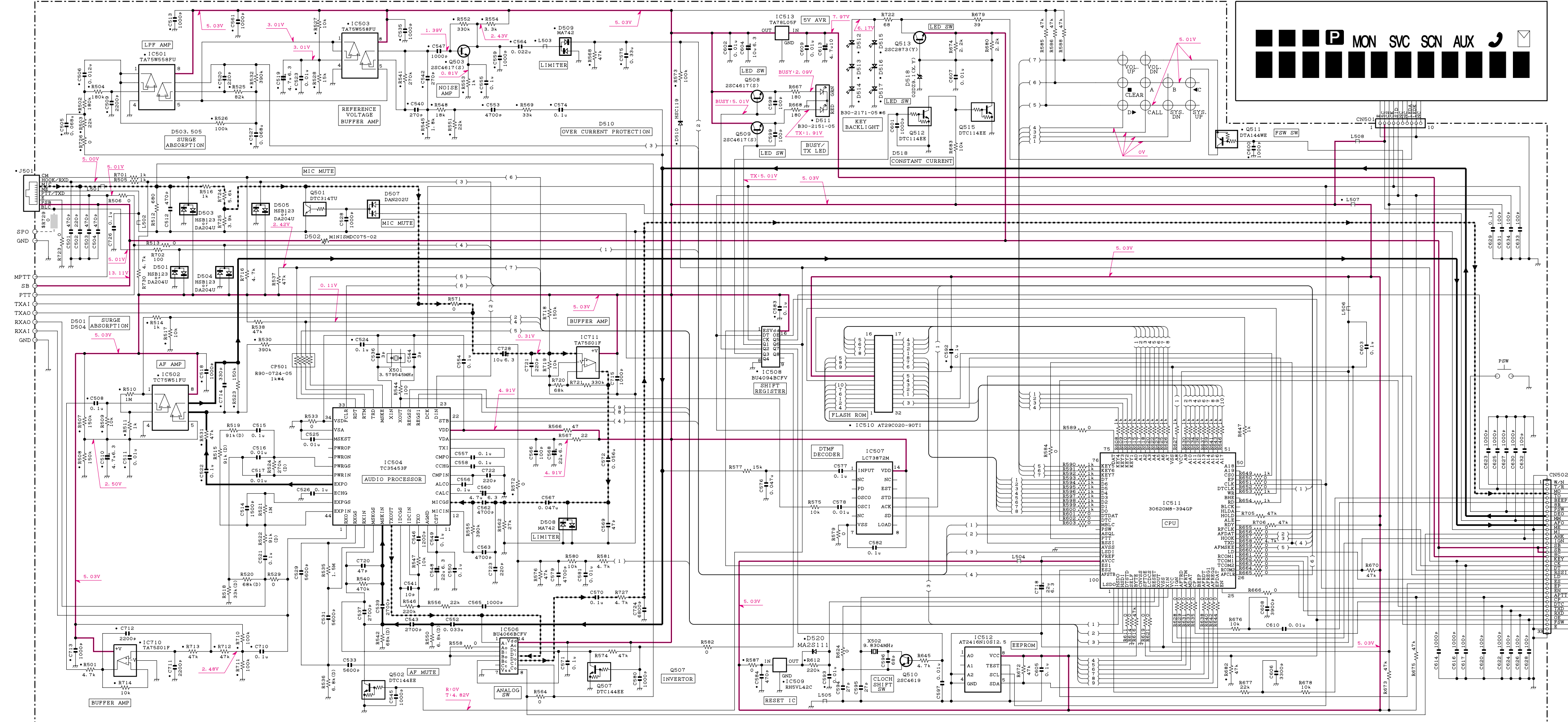
X57-6150-21
TX/RX UNIT

- | | | | | | | | | | | | | | | | | | | | | | | | | | | | | | |
|-----------------------|------------------|-----------------|---------------|------|--------------|----------------------------------------|-------------|---------|---------------|-----------------|--------------|-----------|-------------|--------|-------------|---------|----------|-------|----------|------|-------------|---------------------|--------------|------|--------------|--------------|-------|--------|--|
| D1-6, 8, 9, 12-14, 17 | HSB123 or DA204U | D24 | MINISMD075-02 | D37 | DSA3A1 | Q1, 18, 32 | 2SK1824 | Q9 | DTA114YA | Q20 | 2SB1188(Q) | Q205 | 2SC2954 | IC1, 6 | TA75W01FU | IC10 | LA4422 | IC300 | SA7025DK | A1 | X58-4712-71 | D101, 102, 104, 107 | 1SV283 | Q101 | DTC1148UA | POWER MODULE | IC400 | M68706 | |
| D7 | 02D220(Y, Z) | D27, 30 | HSM88AS | D29 | 02D216(X, Y) | Q2, 3, 17 | 2SC2412K(S) | Q11 | 2SA1362(Y) | Q21 | FMW1 | Q300 | 2SC4215(Y) | IC2, 3 | TA75W58FU | IC11 | TA9136FN | IC401 | NJM2904V | D109 | 1SV214 | Q102 | 2SV908N(K52) | Q103 | 2SV908N(K53) | | | | |
| D11 | DAN202U | D32 | 22R-10D | D207 | HSB123 | Q4 | DT114EK | Q12 | 2SB1132(G, R) | Q23, 25, 26, 30 | DTA114EF | Q301, 302 | 2SC3722K(S) | IC4 | TC4566P | IC13 | AN8098M | | | | | Q104, 105 | 2SC4081 | Q106 | 2SC4215(Y) | | | | |
| D15, 22, 23 | DAH235E | D16, 20, 26, 31 | 1SS355 | D34 | 02D218(X, Y) | Q5, 6, 10, 13, 22, 28, 29, 31, 401-403 | DTC363EU | Q15 | 2SC3083(F) | Q27 | MA4PH633 | IC5 | 2SC3557 | IC6 | ME2383FP | IC14 | TA7808S | | | | | | | | | | | | |
| D21 | 02D25, 6(X, Y) | D210, 211 | MA742 | D35 | MA742 | Q7 | 2SC5110(O) | Q16, 24 | DTL144EE | Q202 | 2SC4093(R27) | IC7, 8 | BU4094BCFV | IC15 | TC4013BF(N) | IC9, 12 | TA78L05F | | | | | | | | | | | | |

TK-785 M SCHEMATIC DIAGRAM

X57-6150-21 CONTROL UNIT

Note : Components marked with a dot (.) are parts of pattern 1.

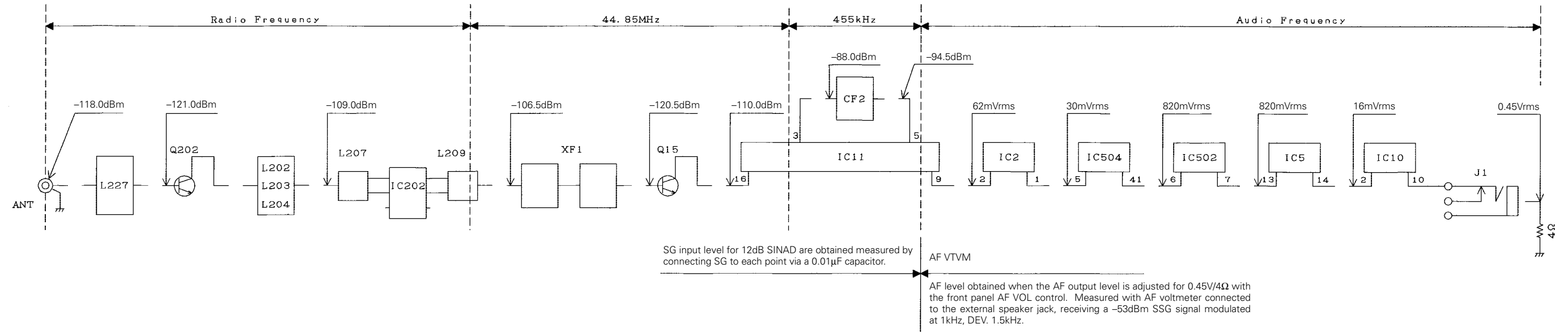


- D501 : 503-505
- D502 : HSB123 or DA204U
- D503 : HSB123
- D504 : DA204U
- D505 : HSB123
- D506 : DA204U
- D507 : DAN202U
- D508 : MA742
- D509 : MA742
- D510 : HSC119
- D511 : B30-2151-05
- D512-517 : B30-2171-05
- D520 : MA2S111
- Q501 : DTC314TU
- Q502 : 507
- Q503 : 508, 509
- Q504 : 28C4617(S)
- Q505 : 28C4619
- Q511 : DTA144WE
- Q512 : 515
- Q513 : 28C2873(Y)
- IC501, 503 : TA75W58FU
- IC502 : TC75W51FU
- IC504 : TC35453F
- IC506 : BU406BCFV
- IC507 : LC73872M
- IC508 : BU4094BCFV
- IC509 : RH5V42C
- IC510 : AT29C020-90T1
- IC511 : 30620M8-3946P
- IC512 : AT2416N10812.5
- IC710, 711 : TA75S01F

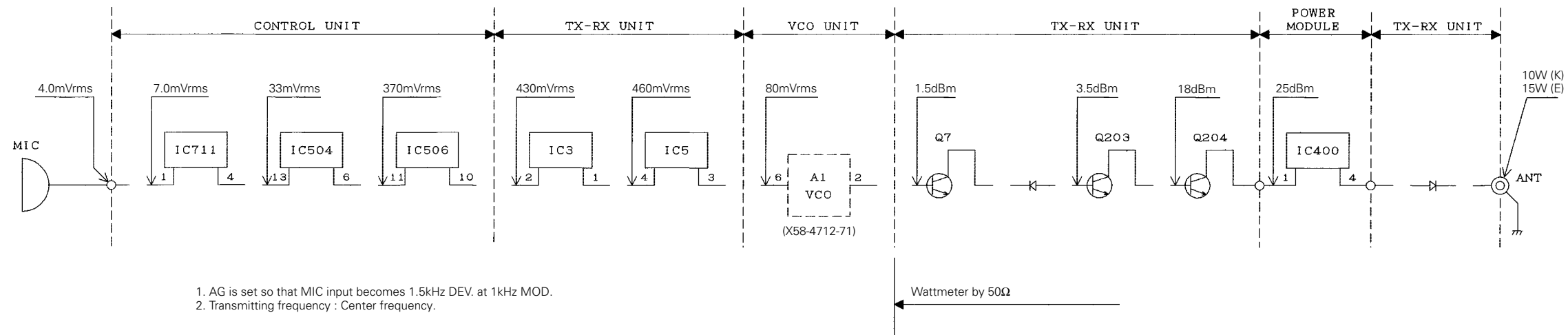
X57-6150-21 TX/RX UNIT

TK-785 TK-785 LEVEL DIAGRAM (K,E)

Receiver Section

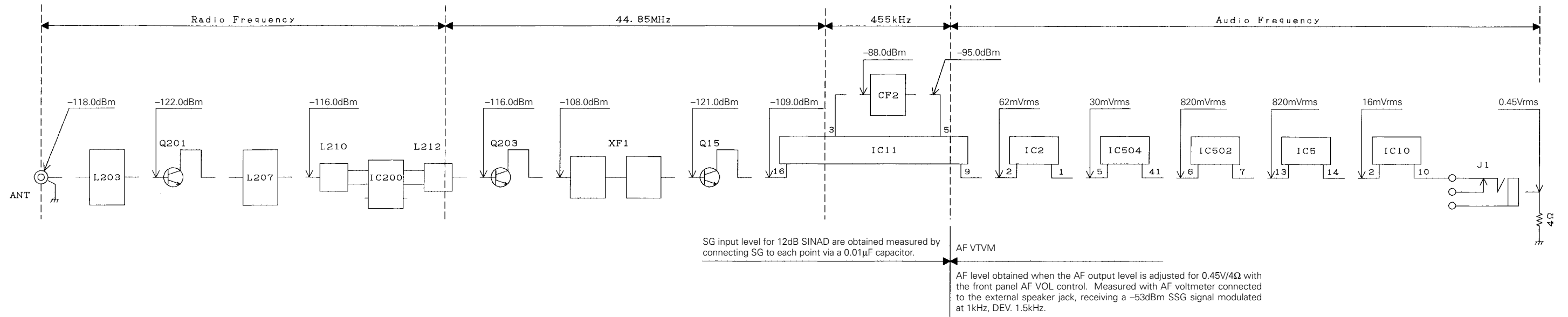


Transmitter Section

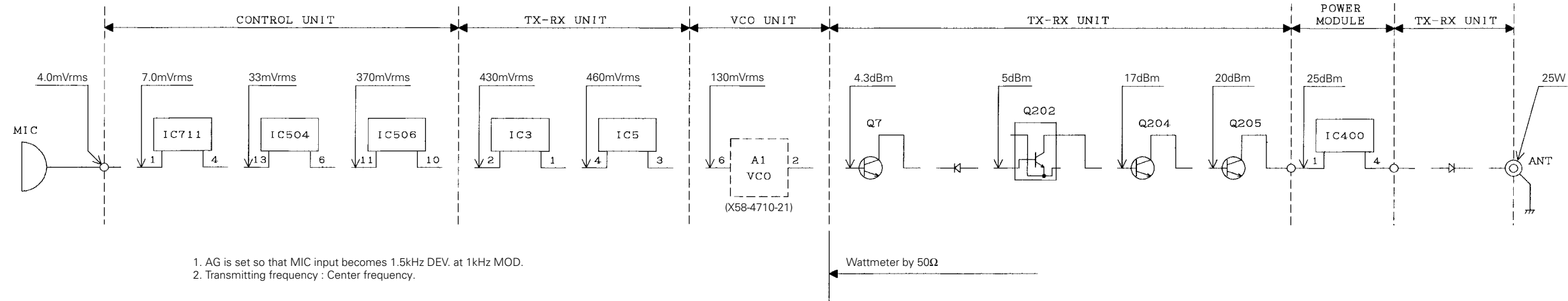


TK-785 TK-785 LEVEL DIAGRAM (M)

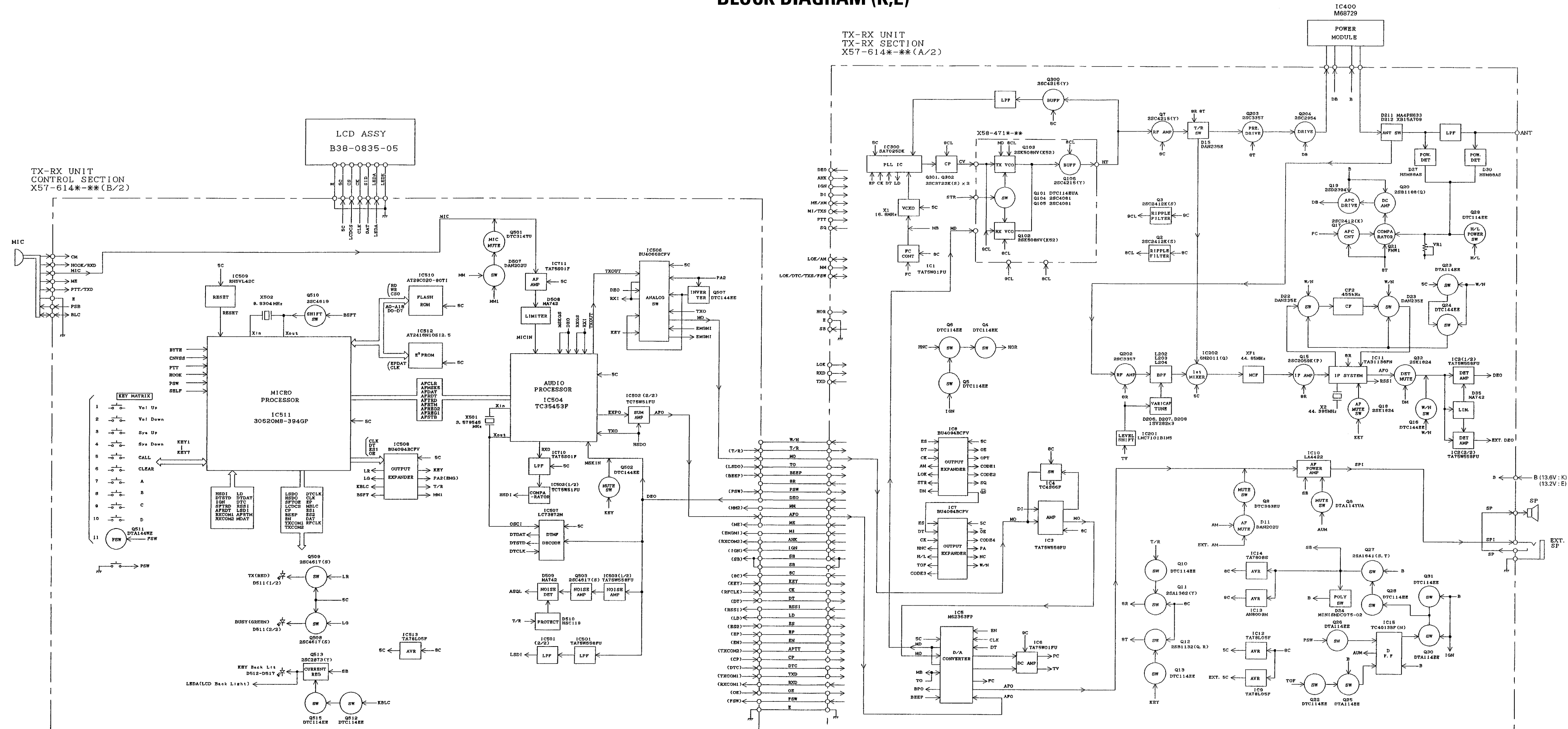
Receiver Section



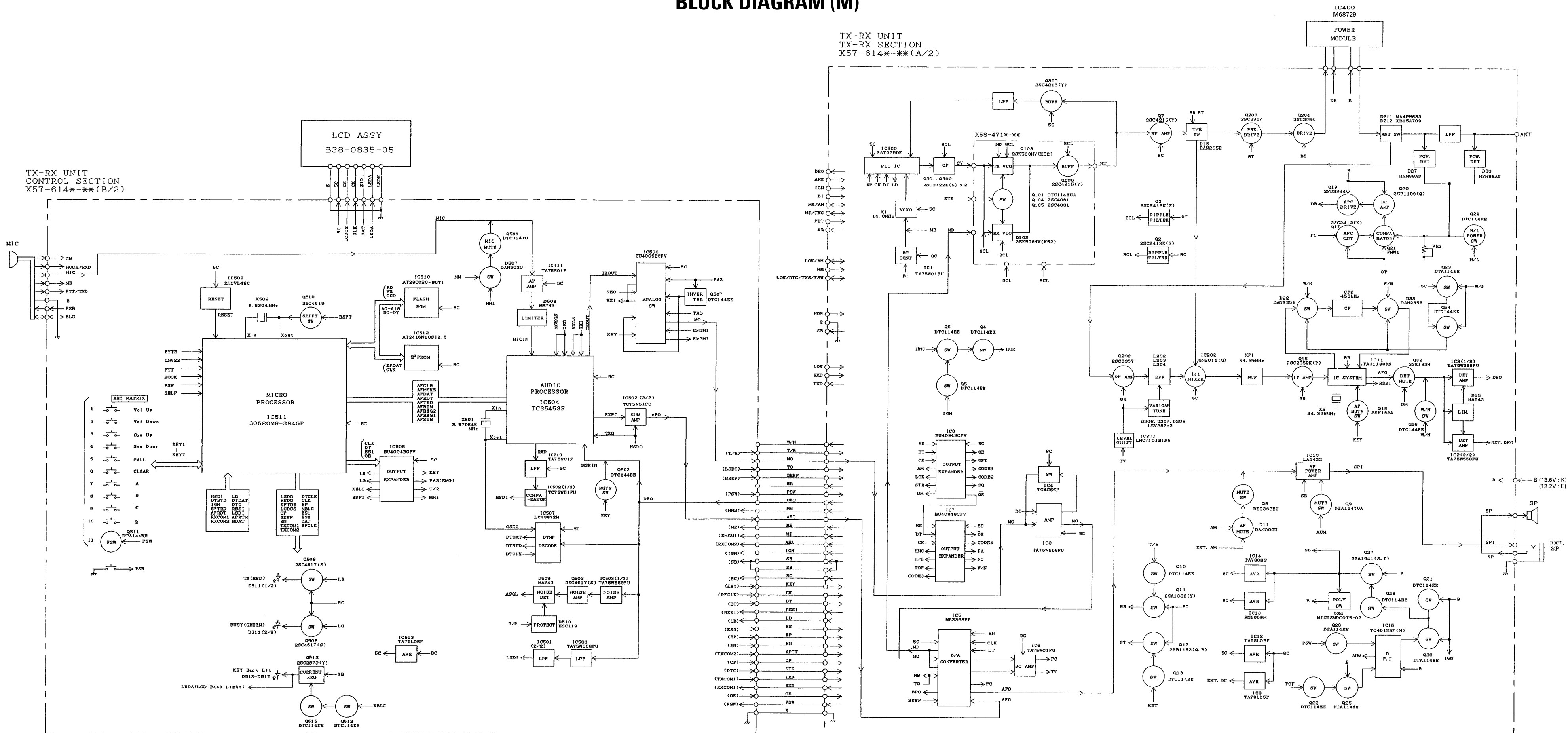
Transmitter Section



BLOCK DIAGRAM (K,E)



BLOCK DIAGRAM (M)



SPECIFICATIONS

GENERAL

Frequency Range	TX : 218 to 235MHz (K,E) RX : 217 to 235MHz (K,E)	
	250 to 270MHz (M)	
Number of Channels	Trunking mode : Maximum 1023 channels	
	Conventional mode : Maximum 32 channels	
Channel Spacing	12.5kHz	
Input Voltage	13.2V DC (E), 13.6V (K,M) negative ground	
Current Drain	0.4A on standby	
	1.0A on receive	
	6A (K,E), 8A (M) on transmit	
Temperature Range	-30°C to +60°C (-22°F to +140°F)	
Frequency Stability	±2.5ppm from -30°C to +60°C	
Dimensions & Weight	140 (5.51) W x 40 (1.58) H x 145 (5.73) D mm (inch), 0.94kg (2.07 lbs)	

RECEIVER

RF Input Impedance	50Ω	
Sensitivity	EIA 12dB SINAD : 0.28μV	
Adjacent Channel Selectivity	EIA : 75dB (K)	
	ETS : 73dB (M,E)	
Intermodulation Rejection	EIA : 70dB (K)	
	ETS : 70dB (M,E)	
Spurious and Image Rejection	EIA : 85dB (K)	
	ETS : 80dB (M) 90dB (E)	
Audio Power Output	4W at 4Ω less than 10% distortion	
Channel Frequency Spread	18MHz (K,E) 20MHz (M)	

TRANSMITTER

RF Power Output	10W (K) 15W (E) 25W (M)		
Spurious and Harmonics	EIA : 70dB (K)		
	ETS : -36dBm ≤ 1GHz, -30dBm > 1GHz (M,E)		
Modulation Limiting	±2.5kHz at 12.5kHz		
FM Noise	40dB		
Microphone Impedance	600Ω		
Audio Distortion	Less than 3% at 1000Hz		
Channel Frequency Spread	17MHz (K,E) 20MHz (M)		

TK-785

KENWOOD CORPORATION

14-6, Dogenzaka 1-chome, Shibuya-ku, Tokyo 150-8501, Japan

KENWOOD SERVICE CORPORATION

P.O. BOX 22745, 2201 East Dominguez Street, Long Beach, CA 90801-5745, U.S.A.

KENWOOD ELECTRONICS CANADA INC.

6070 Kestrel Road, Mississauga, Ontario, Canada L5T 1S8

KENWOOD ELECTRONICS DEUTSCHLAND GMBH

Rembrücker Str. 15, 63150 Heusenstamm, Germany

KENWOOD ELECTRONICS BELGIUM N.V.

Mechelsesteenweg 418 B-1930 Zaventem, Belgium

KENWOOD ELECTRONICS FRANCE S.A.

13, Boulevard Ney, 75018 Paris, France

KENWOOD ELECTRONICS U.K. LIMITED

KENWOOD House, Dwight Road, Watford, Herts., WD1 8EB United Kingdom

KENWOOD ELECTRONICS EUROPE B.V.

Amsterdamseweg 37, 1422 AC Uithoorn, The Netherlands

KENWOOD ELECTRONICS ITALIA S.p.A.

Via G. Sirtori, 7/9 20129 Milano, Italy

KENWOOD IBERICA S.A.

Bolivia, 239-08020 Barcelona, Spain

KENWOOD ELECTRONICS AUSTRALIA PTY. LTD.

(A.C.N. 001 499 074)

16 Giffnock Avenue, North Ryde, N.S.W. 2113 Australia

KENWOOD ELECTRONICS (HONG KONG) LTD.

Unit 3712-3724, Level 37, Tower one Metroplaza, 223 Hing Fong Road, Kwai Fong, N.T., Hong Kong

KENWOOD ELECTRONICS TECHNOLOGIES(S) PTE LTD.

Sales Marketing Division

1 Ang Mo Kio Street 63, Singapore 569110